

Model: DLF-201

Data

Type: Semi-hermetic piston compressors

Producer: Copeland

Series: DL

Model: DLF-201

Technical data

Cylinder count:	2
Displacement [m ³ /h]:	12,9
Weight [kg]:	86
Oil charge [dm ³]:	2,3
Max. operating current [A]:	5,5
Locked rotor current [A]:	37,6
Power supply [V/~/Hz]:	380-420V/3/50Hz

Connections

	<u>milimeters</u>	<u>inches</u>
Suction line:		7/8"
Discharge line:		5/8"

Model: DLF-201

Capacity

R22

Cooling capacity [kW]

$t_c \setminus t_e$	-50	-45	-40	-35	-30	-25	-20	-15	-10	-5
25	0.37	0.75	1.28	1.98	2.85	3.90	5.15	6.59	8.23	10.09
30	0.26	0.60	1.09	1.74	2.55	3.55	4.73	6.11	7.69	9.48
35	-	0.46	0.90	1.50	2.27	3.21	4.33	5.64	7.16	8.88
40	-	-	0.73	1.28	1.99	2.88	3.94	5.19	6.63	8.28
45	-	-	0.58	1.07	1.73	2.55	3.56	4.74	6.12	-
50	-	-	-	0.88	1.48	2.25	3.19	4.30	-	-
55	-	-	-	0.70	1.25	1.95	2.83	-	-	-

Power input [kW]

$t_c \setminus t_e$	-50	-45	-40	-35	-30	-25	-20	-15	-10	-5
25	0.88	1.05	1.23	1.42	1.62	1.80	1.97	2.10	2.21	2.27
30	0.85	1.03	1.23	1.44	1.65	1.87	2.06	2.24	2.38	2.48
35	-	1.00	1.21	1.44	1.68	1.92	2.15	2.36	2.54	2.68
40	-	-	1.19	1.44	1.70	1.96	2.22	2.46	2.68	2.87
45	-	-	1.17	1.43	1.71	2.00	2.28	2.56	2.81	-
50	-	-	-	1.41	1.71	2.02	2.33	2.64	-	-
55	-	-	-	1.39	1.70	2.03	2.37	-	-	-

Model: DLF-201

Capacity

Current [A]

t_c \ t_e	-50	-45	-40	-35	-30	-25	-20	-15	-10	-5
25	3.35	3.45	3.59	3.74	3.90	4.06	4.21	4.35	4.45	4.51
30	3.34	3.44	3.58	3.75	3.93	4.12	4.30	4.48	4.63	4.76
35	-	3.43	3.57	3.75	3.95	4.17	4.39	4.61	4.81	4.99
40	-	-	3.56	3.75	3.97	4.21	4.47	4.72	4.98	5.21
45	-	-	3.54	3.74	3.98	4.24	4.53	4.83	5.13	-
50	-	-	-	3.73	3.98	4.27	4.59	4.92	-	-
55	-	-	-	3.70	3.97	4.28	4.63	-	-	-

Mass flow [kg/s]

t_c \ t_e	-50	-45	-40	-35	-30	-25	-20	-15	-10	-5
25	8.31	16.59	28.04	42.72	60.66	81.93	106.56	134.62	166.14	201.18
30	6.23	13.84	24.70	38.87	56.39	77.30	101.67	129.53	160.94	195.95
35	-	11.17	21.41	35.03	52.09	72.62	96.68	124.33	155.59	190.54
40	-	-	18.16	31.21	47.77	67.89	91.62	119.01	150.10	184.95
45	-	-	14.96	27.41	43.44	63.11	86.47	113.57	144.46	-
50	-	-	-	23.62	39.09	58.28	81.25	108.02	-	-
55	-	-	-	19.85	34.73	53.41	75.94	-	-	-

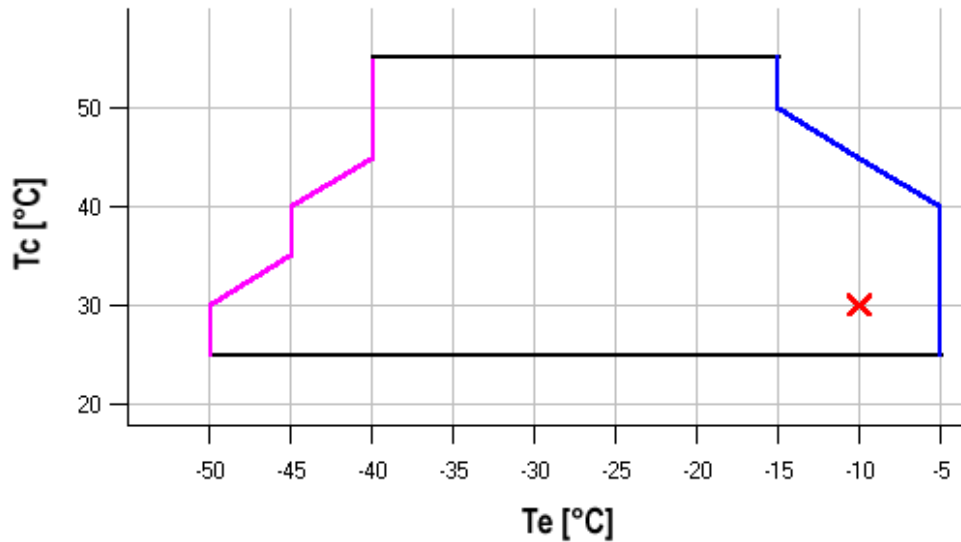
Model: DLF-201

Capacity

C.O.P. [W/W]

$t_c \setminus t_e$	-50	-45	-40	-35	-30	-25	-20	-15	-10	-5
25	0.42	0.72	1.04	1.39	1.76	2.17	2.62	3.13	3.73	4.45
30	0.31	0.58	0.89	1.21	1.54	1.90	2.30	2.73	3.23	3.82
35	-	0.46	0.74	1.04	1.35	1.67	2.02	2.40	2.82	3.31
40	-	-	0.61	0.89	1.17	1.46	1.77	2.11	2.47	2.89
45	-	-	0.49	0.75	1.01	1.28	1.56	1.85	2.18	-
50	-	-	-	0.62	0.87	1.11	1.37	1.63	-	-
55	-	-	-	0.51	0.73	0.96	1.19	-	-	-

Application range



- Maximum evaporating temperature
- 25°C suction gas return + additional cooling

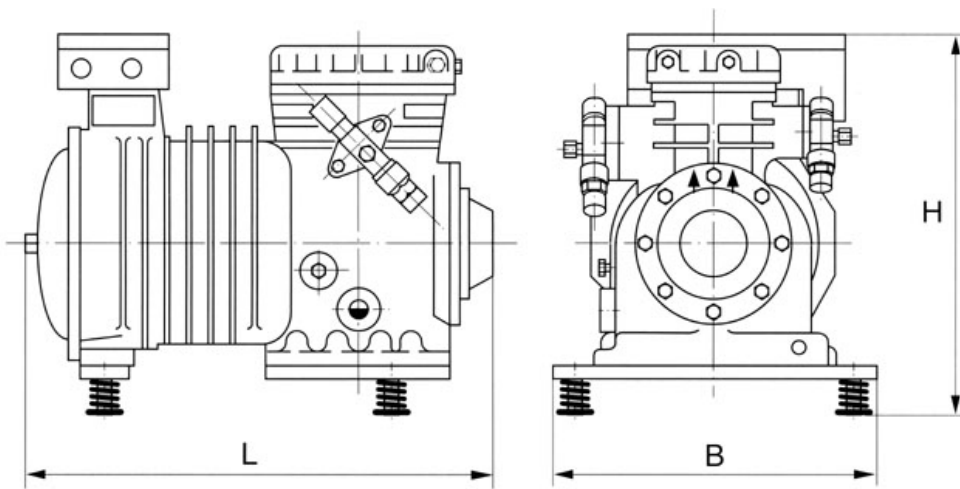
Operating conditions: ISO; subcooling: 0 K, suction superheat: 10 K, return gas temperature: -

t_c - Condensing temperature [°C]

t_e - Evaporating temperature [°C]

Model: DLF-201

Dimensions



L	460 mm
B	330 mm
H	385 mm

Model: DLF-201

Image

