



Compressor Selection: Semi-hermetic Reciprocating Compressors

Input Values

Compressor model Mode	(6J-22.2Y) Refrigeration and Air conditioning	Suction gas temperature Operating mode	20,00 °C Auto
Refrigerant	R404A	Power supply	400V-3-50Hz
Reference temperature Liq. subc. (in condenser)	Dew point temp. 0 K	Capacity Control Useful superheat	100% 100%

Result

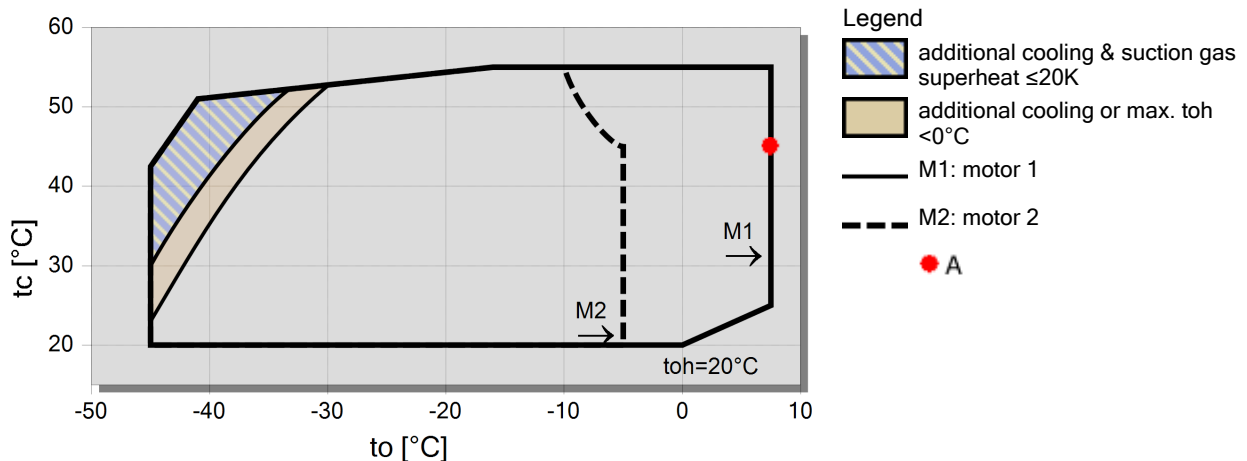
Q [W]	Cooling capacity	COP [-]	COP/EER
Q* [W]	Cooling capacity *	COP* [-]	COP/EER *
P [kW]	Power input	m [kg/h]	Mass flow
I [A]	Current	Op.	Operating mode
Qc [W]	Condenser Capacity	th [°C]	Discharge gas temp. w/o cooling

tc	to	-5°C	-10°C	-15°C	-20°C	-25°C	-30°C	-35°C	-40°C
30°C	Q [W]	74300	61359	50160	40504	32216	25142	19144	14095
	Q* [W]	74300	61359	50160	40504	32216	25142	19144	14095
	P [kW]	19,74	18,62	17,32	15,87	14,28	12,60	10,84	9,04
	I [A]	33,9	32,3	30,3	28,2	26,0	23,8	21,6	19,49
	Qc [W]	94039	79981	67482	56370	46499	37742	29987	23135
	COP [-]	3,76	3,30	2,90	2,55	2,26	2,00	1,77	1,56
	COP* [-]	3,76	3,30	2,90	2,55	2,26	2,00	1,77	1,56
	m [kg/h]	1867	1526	1237	992	784	609	462	339
	Op.	Standard	Standard	Standard	Standard	Standard	Standard	Standard	Standard
	th [°C]	70,5	77,2	84,2	91,8	99,9	108,8	118,6	129,5
40°C	Q [W]	63854	52583	42806	34360	27102	20902	15641	11212
	Q* [W]	63854	52583	42806	34360	27102	20902	15641	11212
	P [kW]	22,9	21,3	19,43	17,49	15,45	13,34	11,20	9,03
	I [A]	38,8	36,2	33,5	30,6	27,7	24,8	22,0	19,48
	Qc [W]	86772	73833	62238	51851	42554	34247	26837	20245
	COP [-]	2,79	2,47	2,20	1,96	1,75	1,57	1,40	1,24
	COP* [-]	2,79	2,47	2,20	1,96	1,75	1,57	1,40	1,24
	m [kg/h]	1808	1472	1187	945	741	568	423	302
	Op.	Standard	Standard	Standard	Standard	Standard	Standard	Standard	Standard
	th [°C]	81,8	88,6	95,8	103,5	111,9	121,0	131,1	0
50°C	Q [W]	--	43711	35395	28203	22020	16741	12271	8519
	Q* [W]	--	43711	35395	28203	22020	16741	12271	8519
	P [kW]	--	23,6	21,3	18,84	16,34	13,80	11,26	8,73
	I [A]	--	39,9	36,3	32,6	28,9	25,4	22,1	19,15
	Qc [W]	--	67332	56673	47044	38361	30545	23528	17249
	COP [-]	--	1,85	1,66	1,50	1,35	1,21	1,09	0,98
	COP* [-]	--	1,85	1,66	1,50	1,35	1,21	1,09	0,98
	m [kg/h]	--	1415	1134	895	693	524	382	264
	Op.	--	Standard	Standard	Standard	Standard	Standard	Standard	Standard
	th [°C]	--	100,2	107,6	115,6	124,1	133,4	0	0

-- No calculation possible (see message in single point selection)

*According to EN12900 (20°C suction gas temp., 0K liquid subcooling)

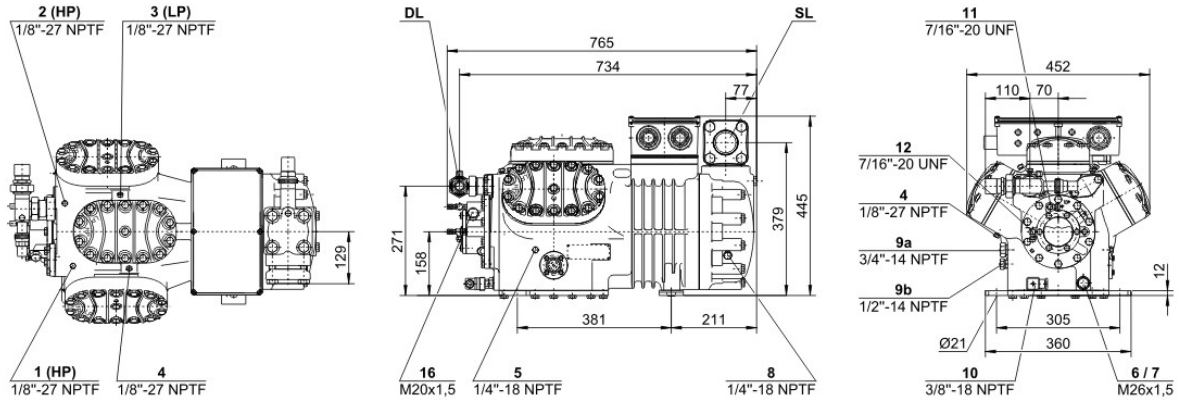
Application Limits 100%





Technical Data: (6J-22.2Y)

Dimensions and Connections



Technical Data

Technical Data

Displacement (1450 RPM 50Hz)	95,3 m³/h
Displacement (1750 RPM 60Hz)	115,02 m³/h
No. of cylinder x bore x stroke	6 x 65 mm x 55 mm
Weight	213 kg
Max. pressure (LP/HP)	19 / 28 bar
Connection suction line	54 mm - 2 1/8"
Connection discharge line	35 mm - 1 3/8"
Connection cooling water	R 3/4"
Oil type R134a/R407C/R404A/R507A/R407A/R407F	tc<55°C: BSE32 / tc>55°C: BSE55 (Option)
Oil type R22 (R12/R502)	B5.2 (Standard)
Oil type R290/R1270	SHC226E (Standard)

Motor data

Motor voltage (more on request)	380-420V PW-3-50Hz
Max operating current	39.0 A
Winding ratio	50/50
Starting current (Rotor locked)	116.0 A Y / 193.0 A YY
Max. Power input	24,8 kW

Extent of delivery (Standard)

Motor protection	SE-B2
Enclosure class	IP54 (Standard), IP66 (Option)
Vibration dampers	Standard
Oil charge	4,75 dm³

Available Options

Discharge gas temperature sensor	Option
Start unloading	Option
Capacity control	100-66-33% (Option)
Additional fan	Option
Water-cooled cylinder heads	Option
CIC System	Option
Oil service valve	Option
Crankcase heater	140 W (Option)
Oil pressure monitoring	MP54 (Option), Delta-PII (Option, not for R290/R1270)

Sound measurement

Sound power level (-10°C / 45°C)	79,5 dB(A) @ 50Hz
Sound power level (-35°C / 40°C)	86,0 dB(A) @ 50Hz
Sound pressure level @ 1m (-10°C / 45°C)	71,5 dB(A) @ 50Hz
Sound pressure level @ 1m (-35°C / 40°C)	78,0 dB(A) @ 50Hz