



Compressor Selection: Semi-hermetic Reciprocating Compressors

Input Values

Compressor model Mode	(2EC-2.2Y) Refrigeration and Air conditioning	Suction gas temperature Operating mode	20,00 °C Auto
Refrigerant Reference temperature Liq. subc. (in condenser)	R404A Dew point temp. 0 K	Power supply Capacity Control Useful superheat	400V-3-50Hz 100% 100%

Result

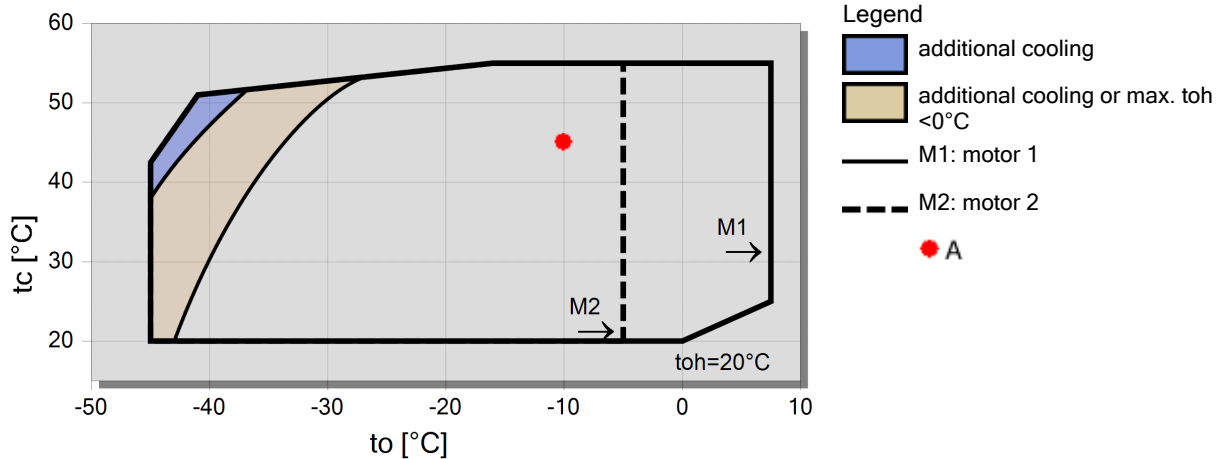
Q [W] Qu* [W] P [kW] I [A] Qc [W]	Cooling capacity Evaporator capacity Power input Current Condenser Capacity	COP [-] m [kg/h] Op. th [°C]	COP/EER Mass flow Operating mode Discharge gas temp. w/o cooling
---	---	---	---

tc	to	-5°C	-10°C	-15°C	-20°C	-25°C	-30°C	-35°C	-40°C
30°C	Q [W]	8622	7118	5815	4692	3727	2902	2203	1612
	Qu* [W]	8622	7118	5815	4692	3727	2902	2203	1612
	P [kW]	2,39	2,27	2,13	1,97	1,79	1,60	1,40	1,20
	I [A]	4,30	4,14	3,95	3,74	3,52	3,30	3,08	2,88
	Qc [W]	11007	9386	7944	6661	5520	4507	3607	2810
	COP [-]	3,61	3,14	2,73	2,38	2,08	1,81	1,57	1,35
	m [kg/h]	217	177,0	143,4	114,9	90,7	70,3	53,1	38,8
	Op.	Standard	Standard	Standard	Standard	Standard	Standard	Standard	Standard
	th [°C]	71,9	79,2	87,0	95,6	105,1	115,8	128,3	0
40°C	Q [W]	7270	5981	4862	3895	3064	2352	1748	1238
	Qu* [W]	7270	5981	4862	3895	3064	2352	1748	1238
	P [kW]	2,75	2,55	2,34	2,11	1,87	1,64	1,40	1,16
	I [A]	4,81	4,52	4,23	3,92	3,62	3,34	3,07	2,84
	Qc [W]	10022	8532	7197	6004	4938	3989	3145	2398
	COP [-]	2,64	2,34	2,08	1,85	1,63	1,44	1,25	1,07
	m [kg/h]	206	167,4	134,8	107,2	83,7	63,9	47,3	33,4
	Op.	Standard	Standard	Standard	Standard	Standard	Standard	Standard	Standard
	th [°C]	84,0	91,1	98,8	107,3	116,8	127,8	0	0
50°C	Q [W]	5949	4872	3935	3123	2424	1826	1318	890
	Qu* [W]	5949	4872	3935	3123	2424	1826	1318	890
	P [kW]	3,08	2,80	2,52	2,23	1,95	1,67	1,39	1,13
	I [A]	5,27	4,88	4,48	4,09	3,71	3,37	3,07	2,82
	Qc [W]	9030	7673	6451	5353	4369	3492	2712	2024
	COP [-]	1,93	1,74	1,56	1,40	1,25	1,10	0,95	0,79
	m [kg/h]	195,1	157,7	126,0	99,1	76,3	57,1	41,0	27,6
	Op.	Standard	Standard	Standard	Standard	Standard	Standard	Standard	Standard
	th [°C]	96,3	103,5	111,3	120,1	130,1	0	0	0

-- No calculation possible (see message in single point selection)

*According to EN12900 (20°C suction gas temp., 0K liquid subcooling)

Application Limits 100% Octagon



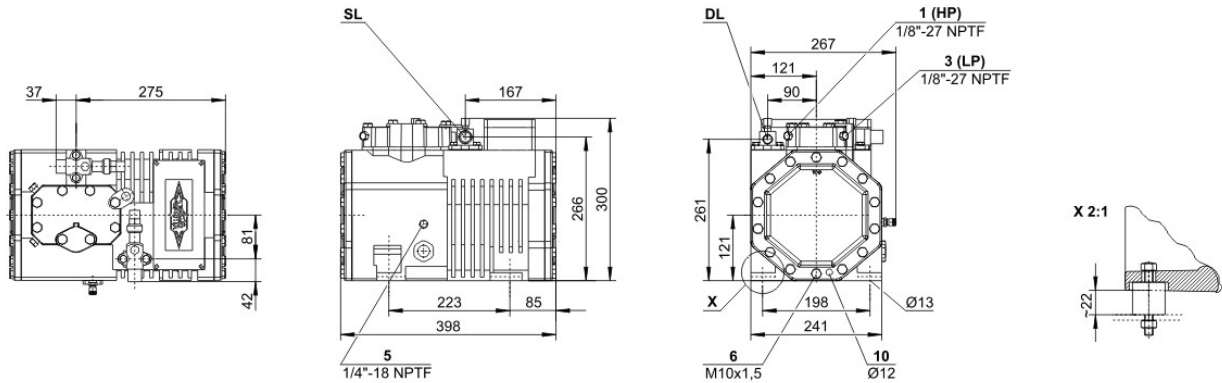
Legend

- additional cooling
- additional cooling or max. toh < 0°C
- M1: motor 1
- M2: motor 2
- A



Technical Data: (2EC-2.2Y)

Dimensions and Connections



Technical Data

Technical Data

Displacement (1450 RPM 50Hz)	11,36 m ³ /h
Displacement (1750 RPM 60Hz)	13,71 m ³ /h
No. of cylinder x bore x stroke	2 x 46 mm x 39,3 mm
Weight	67,5 kg
Max. pressure (LP/HP)	19 / 28 bar
Connection suction line	22 mm - 7/8"
Connection discharge line	16 mm - 5/8"
Oil type R134a/R407C/R404A/R507A/R407A/R407F	tc<55°C: BSE32 / tc>55°C: BSE55 (Option)
Oil type R22 (R12/R502)	B5.2 (Standard)
Oil type R290/R1270	SHC226E (Standard)

Motor data

Motor voltage (more on request)	380-420V Y-3-50Hz
Max operating current	5.7 A
Starting current (Rotor locked)	26.0 A
Max. Power input	3,3 kW

Extent of delivery (Standard)

Motor protection	SE-B1
Enclosure class	IP65
Vibration dampers	Standard
Oil charge	1,50 dm ³

Available Options

Additional fan	Option
Crankcase heater	0..120 W PTC (Option)

Sound measurement

Sound power level (-10°C / 45°C)	66,0 dB(A) @ 50Hz
Sound power level (-35°C / 40°C)	68,0 dB(A) @ 50Hz
Sound pressure level @ 1m (-10°C / 45°C)	58,0 dB(A) @ 50Hz
Sound pressure level @ 1m (-35°C / 40°C)	60,0 dB(A) @ 50Hz