

Type: Semi-hermetic piston compressors

Producer: Frascold

Series: D

Model: D 2 11.1 Y

Technical data

Nominal motor power [kW/HP]:	1,5 / 2
Cylinder count:	2
Displacement [m ³ /h]:	11,26
RPM [min ⁻¹]:	1450
Weight net [kg]:	45
Weight gross [kg]:	46
Oil charge [dm ³]:	1,2

Electrical data

Power supply [V/~/Hz]:	230V/3/50 Δ	400V/3/50 Y
Locked rotor current [A]:	62,5	35,9
Max. operating current [A]:	12,4	7,1

Connections

	<u>milimeters</u>	<u>inches</u>
Suction line:	22,2	7/8
Discharge line:	15,8	5/8

R404A/R507

Cooling capacity [W]

$t_c \setminus t_e$	7.5	5	0	-5	-10	-15	-20	-25	-30	-35	-40
30	14 030	12 860	10 740	8 880	7 270	5 870	4 670	3 660	2 810	2 100	1 530
40	11 860	10 860	9 050	7 470	6 090	4 900	3 890	3 030	2 300	1 690	1 170
45	10 770	9 860	8 200	6 750	5 490	4 420	3 490	2 710	2 040	1 470	980
50	9 680	8 850	7 340	6 030	4 900	3 920	3 090	2 390	1 780	1 260	-

Power input [W]

$t_c \setminus t_e$	5	-10	-20	-30	-40
40	3 010	2 580	2 160	1 720	1 310

With head cooling

Operating conditions: suction gas temperature 20°C, 0K subcooling

t_c - Condensing temperature [°C]

t_e - Evaporating temperature [°C]

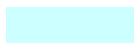
R407C

Cooling capacity [W]

$t_c \setminus t_e$	12.5	7.5	5	0	-5	-10	-15	-20	-25
30	15 710	13 030	11 850	9 750	7 950	6 420	5 110	3 990	3 040
40	13 750	11 410	10 370	8 510	6 900	5 520	4 350	3 340	2 480
45	12 760	10 590	9 620	7 880	6 370	5 070	3 960	3 010	2 200
50	11 720	9 740	8 860	7 240	5 830	4 610	3 560	2 670	1 910

Power input [W]

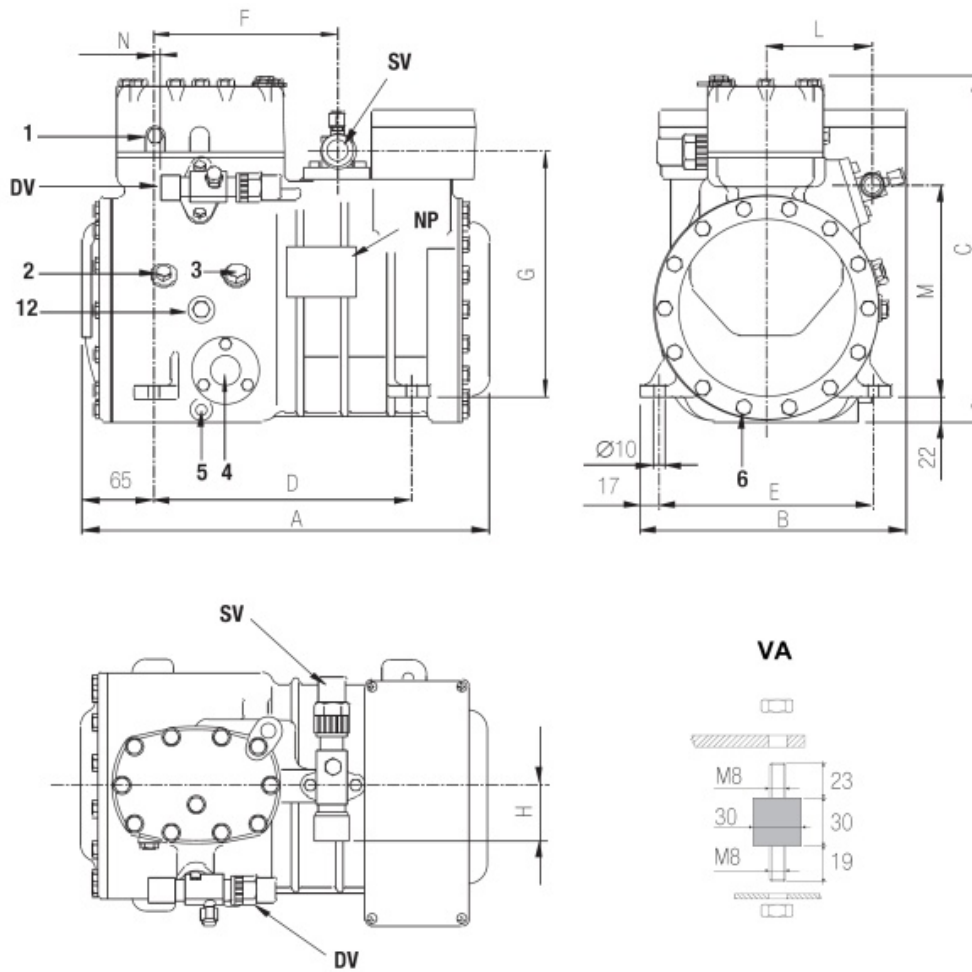
$t_c \setminus t_e$	7.5	0	-10	-20
40	2 950	2 680	2 240	1 780

 With head cooling

Operating conditions: suction gas temperature 20°C, 0K subcooling

 t_c - Condensing temperature [°C]

 t_e - Evaporating temperature [°C]



A	369 mm
B	242 mm
C	294 mm
D	234 mm
E	194 mm
F	165 mm
G	220 mm
H	42 mm
L	94 mm
M	192 mm
N	13 mm

1: high pressure plug
 2: low pressure plug
 3: oil charge plug
 4: oil level sight glass
 5: crankcase heater seat
 12: oil return plug
 NP: name plate

2: low pressure plug
 4: oil level sight glass
 6: oil drain plug
 DV: discharge valve
 SV: suction valve

