



Compressor Selection: Open-Type Reciprocating Compressors

Input Values

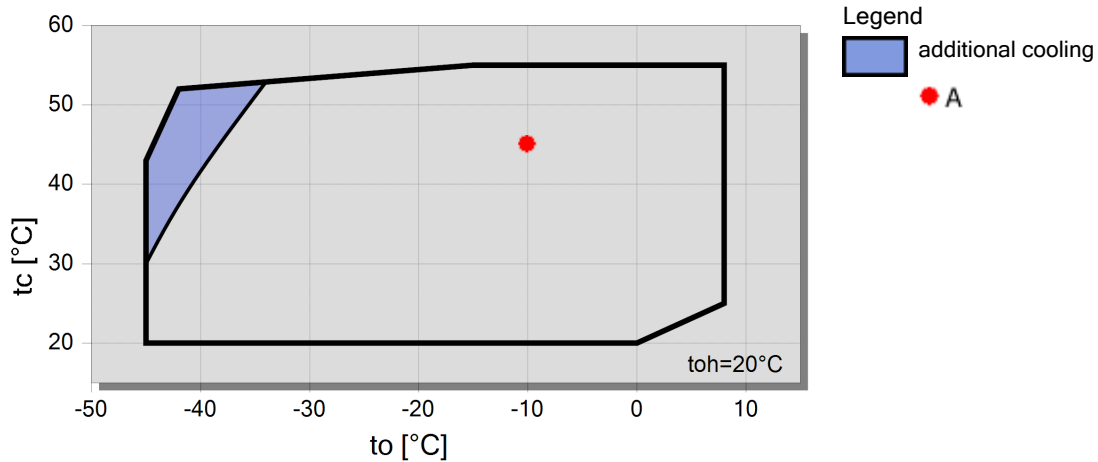
Compressor model	6F.2Y-K	Useful superheat	100%
Refrigerant	R404A	Motor speed	1450 /min
Reference temperature	Dew point temp.	Drive	Coupling (1:1)
Liq. subc. (in condenser)	0 K	Capacity Control	100%
Suction gas temperature	20,00 °C		

Result

tc [W]	to [W]	Cooling capacity							
		0°C	-10°C	-20°C	-30°C	-40°C	-50°C	-60°C	-70°C
Q [W]	Q* [W]	147505	101220	66738	41531	23620	--	--	--
Q* [W]	Q* [W]	147505	101220	66738	41531	23620	--	--	--
P [kW]	P [kW]	32,7	29,5	25,1	19,95	14,70			
Qc [W]	Qc [W]	180183	130709	91799	61477	38317			
COP [-]	COP [-]	4,51	3,43	2,66	2,08	1,61			
COP* [-]	COP* [-]	4,51	3,43	2,66	2,08	1,61			
m [kg/h]	m [kg/h]	3749	2518	1635	1006	568			
n [/min]	n [/min]	1450	1450	1450	1450	1450			
<hr/>									
40°C	Q [W]	127350	86966	56678	34411	18499	--	--	--
Q* [W]	Q* [W]	127350	86966	56678	34411	18499	--	--	--
P [kW]	P [kW]	36,3	32,0	26,8	21,0	15,15			
Qc [W]	Qc [W]	163666	119005	83473	55431	33649			
COP [-]	COP [-]	3,51	2,71	2,12	1,64	1,22			
COP* [-]	COP* [-]	3,51	2,71	2,12	1,64	1,22			
m [kg/h]	m [kg/h]	3653	2435	1559	935	498			
n [/min]	n [/min]	1450	1450	1450	1450	1450			
<hr/>									
50°C	Q [W]	106165	72132	46371	27284	13536	--	--	--
Q* [W]	Q* [W]	106165	72132	46371	27284	13536	--	--	--
P [kW]	P [kW]	40,3	35,0	29,0	22,4	15,46			
Qc [W]	Qc [W]	146444	107160	75354	49666	28999			
COP [-]	COP [-]	2,64	2,06	1,60	1,22	0,88			
COP* [-]	COP* [-]	2,64	2,06	1,60	1,22	0,88			
m [kg/h]	m [kg/h]	3536	2335	1472	854	419			
n [/min]	n [/min]	1450	1450	1450	1450	1450			

-- No calculation possible (see message in single point selection)
 *According to EN12900 (20°C suction gas temp., 0K liquid subcooling)

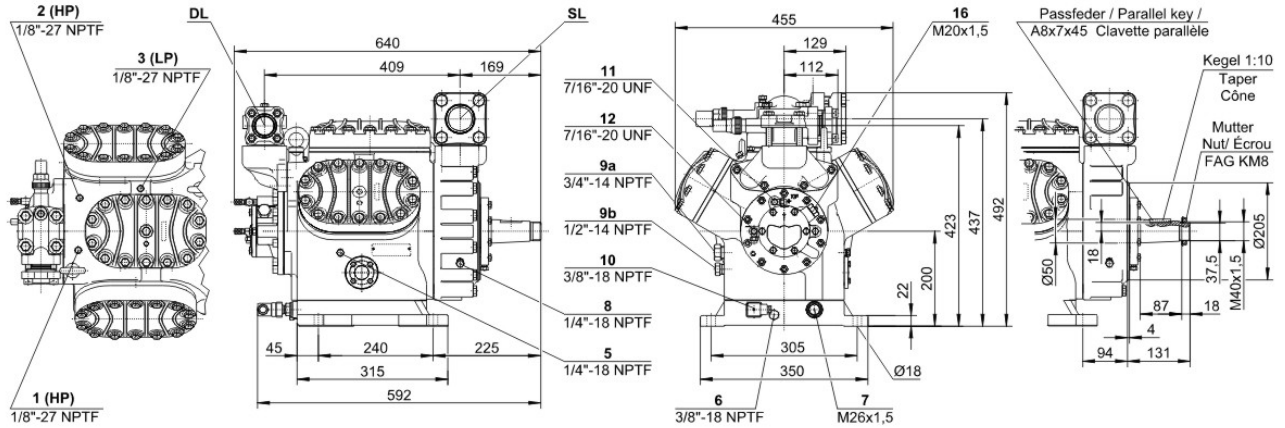
Application Limits Standard





Technical Data: 6F.2Y-K

Dimensions and Connections



Technical Data

Technical Data

Displacement (1450 RPM 50Hz)	151,6 m3/h
Displacement (1750 RPM 60Hz)	183,0 m3/h
No. of cylinder x bore x stroke	6 x 82 mm x 55 mm
Allowed speed range	900 .. 1750 1/min
Weight	161 kg
Max. pressure (LP/HP)	19 / 25 bar
Connection suction line	54 mm - 2 1/8"
Connection discharge line	42 mm - 1 5/8"
Oil type R134a/R407C/R404A/R507A/R407A/R407F	tc<55°C: BSE32 / tc>55°C: BSE55 (Option)
Oil type R22 (R12/R502)	B5.2 (Standard)

Extent of delivery (Standard)

Oil charge	5,0 dm3
Protective charge	Standard
Suction shut-off valve	Standard
Discharge shut-off valve	Standard
Pressure relief valve	Standard

Available Options

Coupling (...K) w. A/C + medium	KK620 [<22kW] / KK630 [<45kW] (Option)
Coupling (...K) w. low temp.	KK625 [<22kW] / KK630 [<45kW] (Option)
Coupling housing	Option
Motor pulley (...S)	190, 210, 230 mm (Option)
V-belts	5 x SPA (Option)
Discharge gas temperature sensor	Option (incl. INT69VS)
Start unloading	Option
Connection cooling water	R 3/4" (Option)
Capacity control	100-66-33% (Option)
Additional fan	Option
Water-cooled cylinder heads	Option
Oil service valve	Option
Crankcase heater	140 W (Option)
Oil pressure monitoring	MP54 (Option)
Kit for marine application	Option