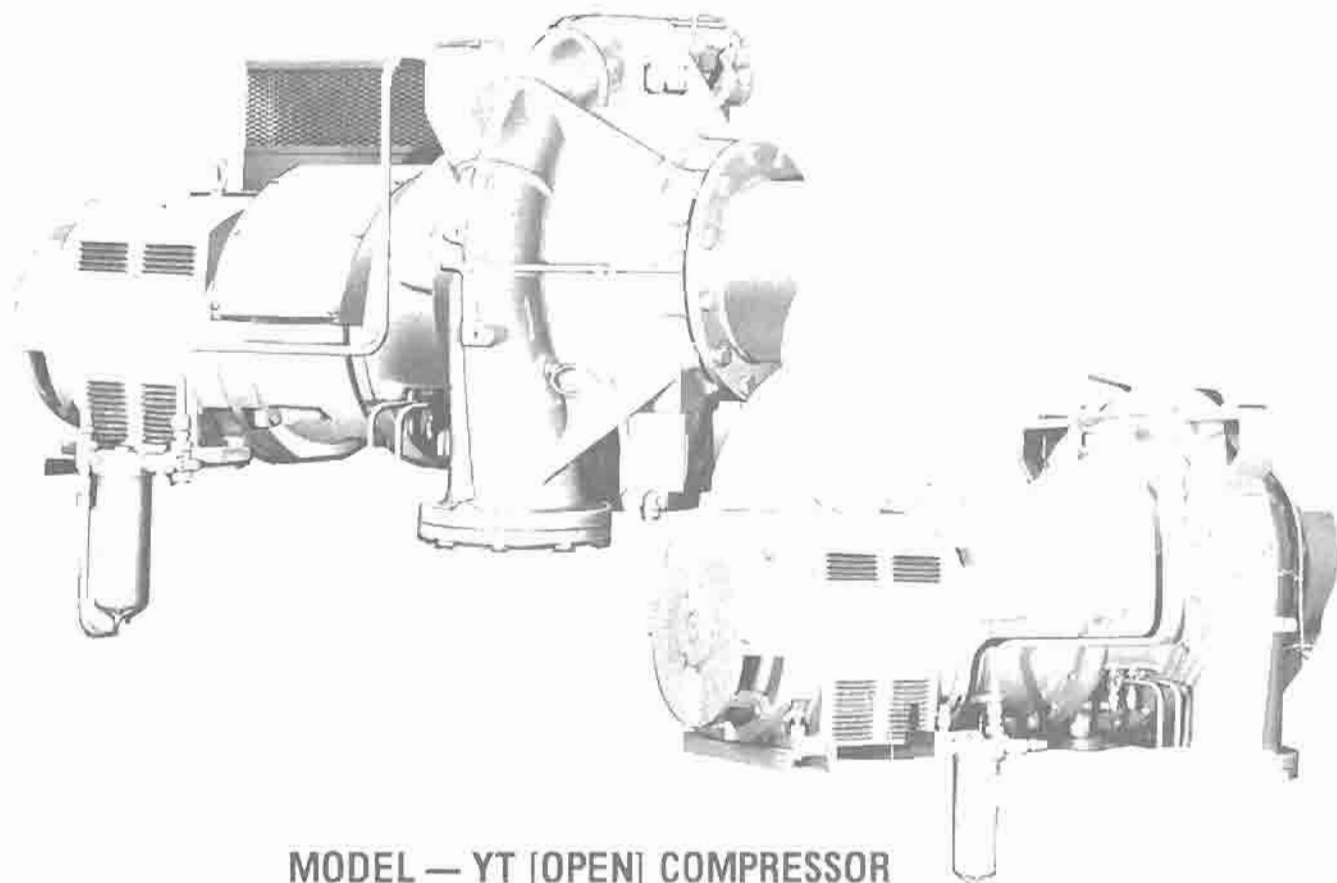


COMPRESSOR — MODELS YTJ 67, 76, 85 AND 95 AND MODELS YDTJ 67, 76, 85, AND 95 & YDTJ-CB



MODEL — YT [OPEN] COMPRESSOR

Compressor Code	Compressor Model	Part No.
B1	YTJ - 67	364-46974-002
B2	YTJ - 76	364-46974-003
C1	YTJ - 85	364-46974-004
C2	YTJ - 95	364-46974-005
B1	YDTJ - 67	364-47329-002
B2	YDTJ - 76	364-47329-003
C1	YDTJ - 85	364-47329-004
C2	YDTJ - 95	364-47329-005
C3	YDTJ - CB	364-47329-018

CENTRIFUGAL COMPRESSOR PARTS LIST

MODELS YTJ 67, 76, 85, 95 AND YDTJ 67, 76, 85 AND 95 & CB

Item No.	Description	MODEL YTJ		MODEL YDTJ		Item No.	Description	MODEL YTJ		MODEL YDTJ	
		Qty.	Part No.	Qty.	Part No.			Qty.	Part No.	Qty.	Part No.
1	Scr., Cap 3/8 x 1-1/2 Lg.	3	021-01497	3	021-01497	56	Spring, Helical	1	029-06143	1	029-06143
2	Washer, Impeller Clam.	1	064-46146	1	064-46146	◆ 57	Gasket, 13/16 O.D.	1	065-21657A	1	065-21657A
3	Scr., Set 1/2 x 3/4 Lg.	2	021-00825	2	021-00825	58	Cap, Seal	1	065-06394	—	—
4	Seal, O-Ring	1	028-10178	1	028-10178	59	Scr., Cap 3/8 x 1 Lg. Hex Soc.	3	021-02585	3	021-02585
◆ 5	Plug, Pipe 1/8	2	023-01970	2	023-01970	60	Control, Temp. (Discharge)	1	025-15381-002	1	025-25163
▲ 6	Scr., Cap 1/4 x 1/2 Lg. 12 Pt. Hd.	2	021-11970	2	021-11970	61	Plug, Pipe 1/2	2	023-01994	2	023-01994
▲ 7	Retainer, Bearing	2	064-46886	2	064-46886	62	Connr., Fla. Hyd 3/4 O.D. x3/4 P.T. 45°	1	023-10696	1	023-10696
▲ 8	Bearing, Pinion Gear	2	064-46885	2	064-46885	▲ 63	Plug, Hex Hd.	1	064-46282	1	064-46282
9	Gear, Set	1	See Sales Order	1	See Sales Order	◆ 64	Seal, O-Ring	1	028-12209	1	028-12209
▲ 10	Bearing, Gear Rear	1	064-46729	1	064-46729	65	Sealant	A.R.	013-02023	A.R.	013-02023
▲ 11	Collar, L. S. Thrust	1	064-46623	1	064-46623	◆ 66	Seal, O-Ring	1	028-11999	1	028-11999
▲ 12	Scr., Cap 5/16 x 1-3/4 Lg. 12 Pt. LH.	1	021-11532	1	021-11532	67	Lockwasher, Spring	1	021-05271	1	021-05271
▲ 13	Pin, Slot Spring	2	029-04551	2	029-04551	68	Plug, Dot	2	029-13655	2	029-13655
14	Scr., Cap 3/8 x 1-1/4 Lg.	12	021-01485	12	021-01485	69	Pipe, Plug 3/4 NPTE	2	023-04208	2	023-04208
15	Lockwasher, Spg. 3/8	12	021-05269	—	—	● 70	Seal, O-Ring	2	028-04519	2	028-04519
◆ 16	Seal, O-Ring	1	028-11997	1	028-11997	● 71	Collar, Shaft Seal	1	064-46755	1	064-46755
17	Flange, Special	1	064-46070	1	064-46070	● 72	Ring, Shaft Seal	1	029-08605-010	1	029-08605-010
◆ 18	Gasket	1	064-46629	1	064-46629	● 73	Spring, Helical	1	029-11568-003	1	029-11568-003
19	Cover	1	364-46626	1	364-46626	● 74	Cover, Seal	1	064-46634	1	064-47335
20	Washer, Plain	—	—	12	021-16841	75	Scr., Cap 3/8 x 1 Lg.	10	021-01477	10	021-01477
21	Seal, O-Ring 17, 772 I.D.	1	028-12213	1	028-12213	▲ 76	Key, 1/2 x 1/2 x 1-1/2 Lg.	1	064-46209	1	064-46209
▲ 22	Bearing, Thrust H.S. (Rear)	1	064-46127	1	064-46127	77	Coupling, Driven	1	064-46635	1	064-46635
23	Plug, Pipe 1/4	3	023-01973	3	023-01973	78	Washer, Coupling	1	064-46636	1	064-47374
▲ 24	Cover, Thrust H.S.	1	064-46122	1	064-46122	79	Scr., Cap 1/2 x 1-1/4 Lg.	1	021-16252	1	021-16252
◆ 25	Seal, O-Ring	1	028-11998	1	028-11998	80	Pin, Slot Spring 1/4 Oia. x 1 Lg.	2	029-06862	2	029-06862
◆ 26	Seal, O-Ring	1	028-12208	1	028-12208	81	Fill, Piece	1	064-46637	1	064-46637
▲ 27	Collar, Thrust H.S. (Rear)	1	064-46130	1	064-46130	▲ 82	Seal, O-Ring 4 I.D. x 1/8 Section	1	028-12210	1	028-12210
▲ 28	Pin, Slot Spring	2	029-03991	2	029-03991	83	Valve, Stop, Angle 1/4 NPTE x 1/4 Fla.	1	028-03836	1	028-03836
▲ 29	Scr., Cap 1/2 x 1-1/4 Lg.	1	021-01567	1	021-01567	84	Key, 5/8 x 5/8 x 2 Lg.	2	064-46517	—	—
30	Nameplate, Data	1	029-13380	1	029-13380	85	Scr., Cap 3/8 x 1-1/4 Lg. Hex Soc.	4	021-01486	4	021-01486
31	Washer, Plain	12	021-01274	12	021-16814	86	Support, Motor	1	See Sales Order	1	See Sales Order
32	Plug, Flais. 9/16	1	023-07158	1	023-07158	87	Scr., Cap 3/8 x 2 Lg.	28	021-01510	28	021-01510
33	Nameplate Pat.	1	029-13270-002	1	029-13270-002	88	Guard, Coupling	1	064-46745	1	064-47418
34	Scr., Drive No. 4 x 1/4 Lg.	8	021-03720	8	021-03720	89	Scr., Cap 1/4 x 1/2 Lg.	17	021-02438	—	—
35	Scr., Cap 1/4 x 3/4 Lg.	3	021-01379	3	021-01379	90	Elbow, (90° Tube x 3/4 MPT	1	023-10700	1	023-10700
36	Shaft, Control	1	364-29573	1	364-29573	91	Tee, Screw 3/4F x 1/2F x 3/4F	2	023-11330	2	023-11330
37	Seal, O-Ring	2	028-12200	2	028-12200	92	Connr., Fla. Hyd 1/4 O.D. x1/8 NPTE	1	023-09669	1	023-09669
38	Seal, O-Ring	1	028-12201	1	028-12201	93	Conn., Oil Drain	1	364-46448	1	364-46448
39	Gasket, Bellows Cover	1	028-00781	1	028-00781	94	Coupling, Driver	1	064-46639	1	064-46639
40	Cover, Shaft Control	1	064-13909	1	064-13909	95	Motor	1	See Sales Order	1	See Sales Order
41	Scr., Cap 12 Pt. Hd. 3/8 x 1-1/2 Lg.	2	021-11175	2	021-11175	96	Valve, Solenoid	1	025-25935	1	025-25935
42	Lever, Prv. External	1	364-28236	1	364-47108	97	Valve, Seal Oil Relief	—	—	1	022-08700
43	Washer, Special	1	064-08815	1	064-08815	98	Bushing, Pipe 3/4 NPTE x1/2 NPTI	2	023-04010	2	023-04010
44	Scr., Cap 1/2 x6 Lg. 12 Pt. Hd.	1	021-11998	1	021-11998	99	Nipple, Pipe 1/2 x 1-1/8 Lg.	2	070-01284	2	070-01284
45	Bolt, Shld.	1	064-28262	1	064-28262	100	Tube, Steel 3/8 x .049 x11-7/16 Lg.	1	066-39369	1	066-39369
46	Nut, Hex 1/4	8	021-00450	8	021-00450	101	Conn. Fla. Hyd 3/8 x1/2 NPTE	2	023-10829	2	023-10829
47	Pin, Dowel 3/8 x 2	2	029-18459	2	029-18459	102	Scr., Cap Hex Hd. 3/8-16 x 3/4 Lg.	—	—	12	021-01467
48	Lockwasher, Spring 1/4	2	021-05267	2	021-05267	103	Coupling	—	—	1	029-20006
49	Washer, 9/32 I.D.	4	021-05165	4	021-05165	104	Key	—	—	1	064-47333
▲ 50	Ball, Steel	1	029-17369	1	029-17369	105	Scr., Cap Hex Hd. 3/4-10 x2-1/4 Lg.	—	—	8	021-01661
51	Comp. Sealer Gr. AVV	A.R.	013-01671	A.R.	013-01671	106	Strip, Neoprene - 1/8 Thick	—	—	7.5 ft.	028-08091
52	Scr. Cap Hex Hd. 3/8 x 1 Lg.	14	021-01477	14	021-01477	107	Cover	—	—	2	064-47332
53	Sealer	A.R.	013-01678	A.R.	013-02825	108	Elbow, 90° 3/4 Tube x3/4 MPT	—	—	1	025-10700
54	Plunger, Valve	1	064-14790	1	064-14790	109	Scr., Cap Hex Hd. 3/8-16 x1/2 Lg.	—	—	1	021-14380
55	Washer, Plain 17/64	5	021-11973	—	—						

▲ YTJ and YDTJ 67 - 95	Bearing Kit Part No. 464-46887.
● YTJ and 67 - 95	See Page 18.
■ YTJ and YDTJ 67 - 76	Gasket Kit Part No. 364-47164.
◆ YTJ, YDTJ 85 - 95 and YDTJ-CB	Gasket Kit Part No. 364-47163.

* For YDTJ-CB compressor parts see page 19B.

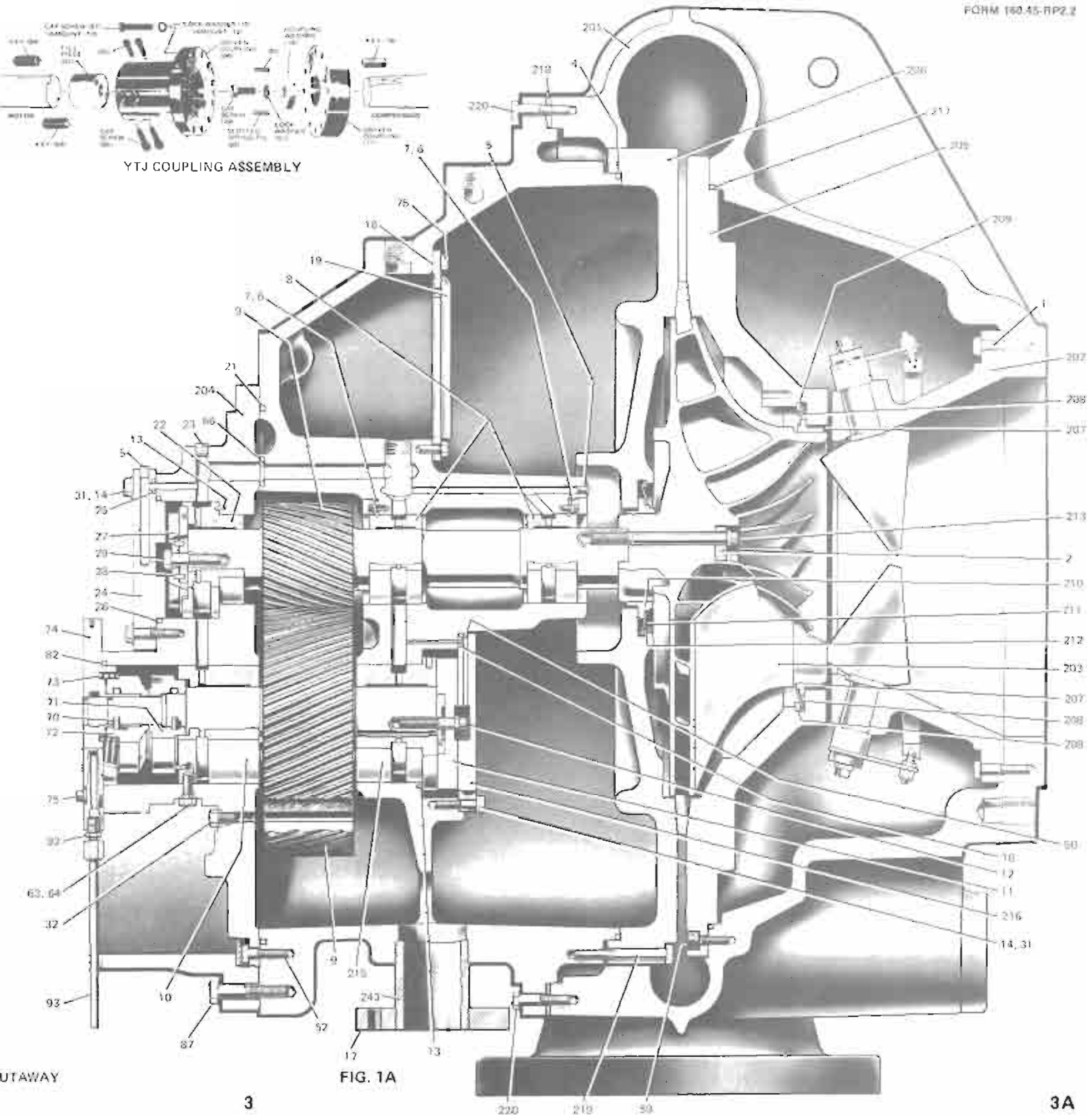
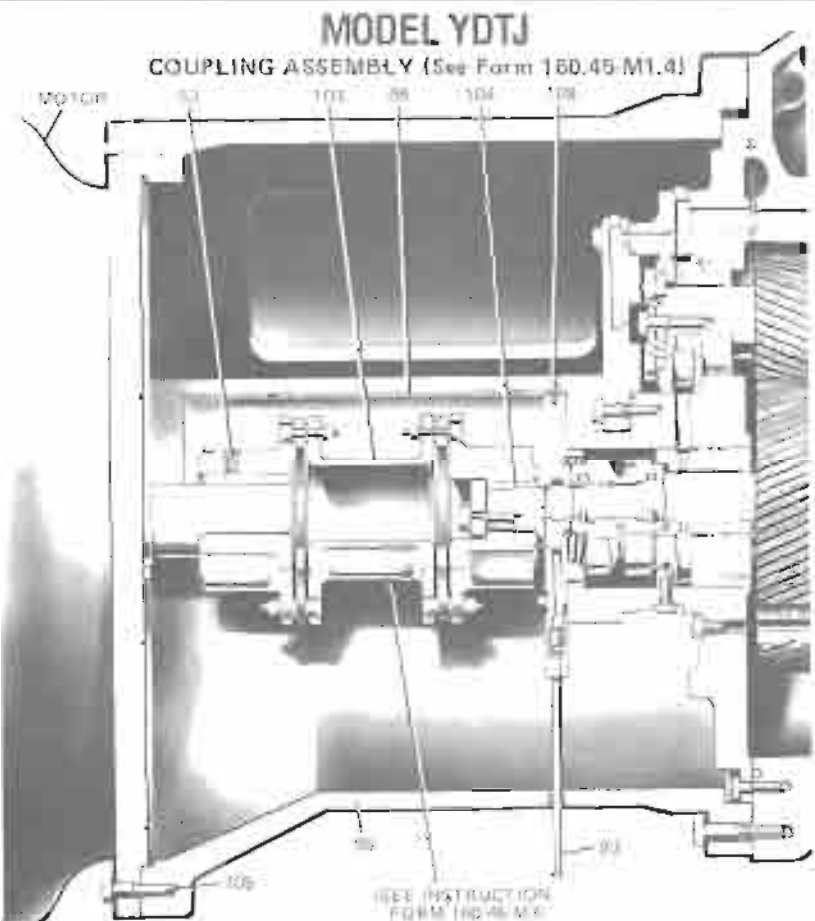
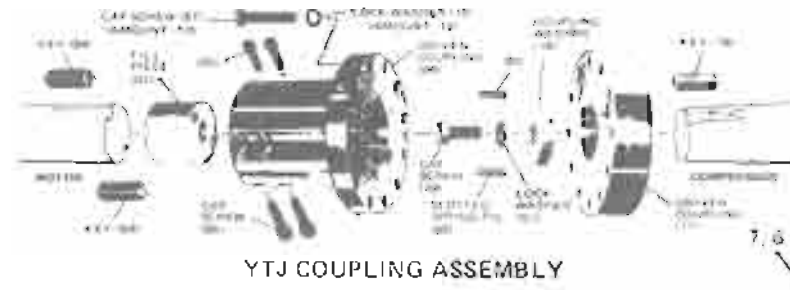
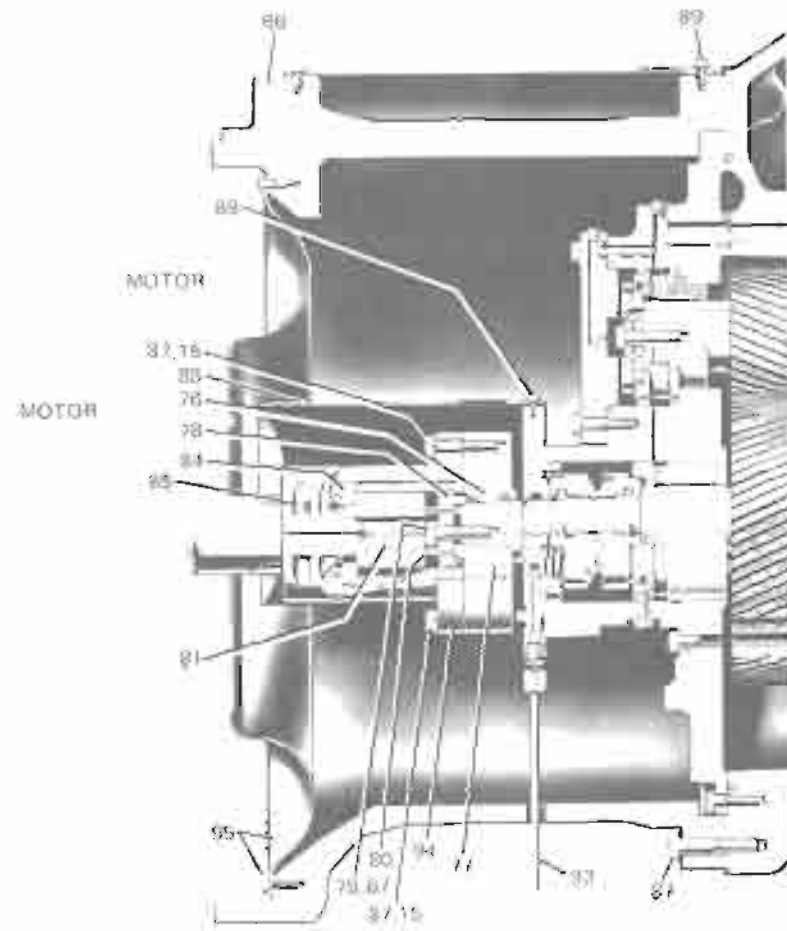


FIG. 1-- MODEL YTJ AND YDTJ COMPRESSOR AND MOTOR ASSEMBLY CUTAWAY

FIG. 1A

CENTRIFUGAL COMPRESSOR VARIABLE COMPONENTS

Refer to Fig's. 1 and 2

Refer to Fig's. 1A and 2A

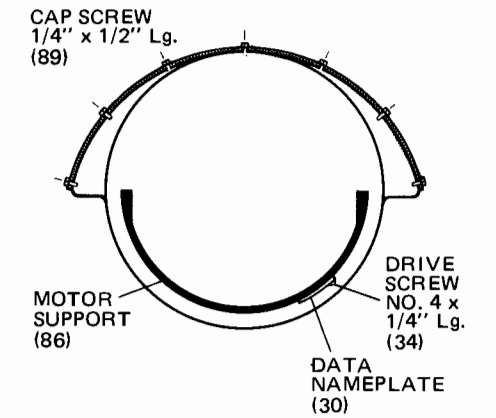
MODELS YTJ 67, 76, 85 AND 95

MODELS YDTJ 67, 76, 85 AND 95 & CB

Item No.	Description	YTJ-67		YTJ-76		YTJ-85		YTJ-95		YDTJ-67		YDTJ-76		YDTJ-85		YDTJ-95	
		Qty.	*364-47091-002	Qty.	*364-47091-003	Qty.	*364-47091-004	Qty.	*364-47091-005	Qty.	364-47329-002	Qty.	364-47329-003	Qty.	364-47329-004	Qty.	364-47329-005
200*	Common Parts	1	*364-47091-001	1	*364-47091-001	1	*364-47091-001	1	*364-47091-001	1	364-47429-001	1	364-47429-001	1	364-47429-001	1	364-47429-001
201	Scroll, Rotor	1	064-46976	1	064-46976	1	064-46977	1	064-46977	1	064-47107	1	064-47107	1	064-47083	1	064-47083
202	Device, Prerotation	1	364-15250	1	364-15249	1	364-15255	1	364-15266	1	364-15250	1	364-15249	1	364-15255	1	364-15266
203	Impeller	1	064-46612	1	064-46613	1	064-46614	1	064-46615	1	064-46612	1	064-46613	1	064-46614	1	064-46615
204	Support, Rotor/Brg. Hsg.	1	364-46620	1	364-46620	1	364-46621	1	364-46621	1	364-46620	11	364-46620	1	364-46621	1	364-46621
205	Plate, Nozzle Base	1	064-46566	1	064-46565	1	064-46563	1	064-46564	1	064-46566	1	064-46565	1	064-46563	1	064-46564
206	Plate, Diffuser	1	064-46591	1	064-46592	1	064-46593	1	064-46594	1	064-46591	1	064-46592	1	064-46593	1	064-46594
207	Ring, Seal Impeller	1	064-20430	1	064-20431	1	064-21418	1	064-21417	1	064-20430	1	064-20431	1	064-21418	1	064-21417
208	Washer, Flat Spring	1	064-06242	1	064-05741	1	064-05683	1	064-05656	1	064-06242	1	064-05741	1	064-05683	1	064-05656
209	Ring, Ret. Oil Seal	1	064-06243	1	064-05742	1	064-05680	1	064-05588	1	064-06243	1	064-05742	1	064-05680	1	064-05588
210	Ring, Seal	1	064-20435	1	064-20435	1	064-46185	1	064-46185	1	064-20435	1	064-20435	1	064-46185	1	064-46185
211	Washer, Flat Spring	1	064-12887	1	064-12887	1	064-21429	1	064-21429	1	064-12887	1	064-12887	1	064-21429	1	064-21429
212	Ring, Retaining Int.	1	029-05601	1	029-05601	1	029-08600	1	029-08600	1	029-05601	1	029-05601	1	029-08600	1	029-08600
213	Scr., Cap 1/2-20 12 Pt. Hd.	5	021-15804	5	021-15804	5	021-12165	5	021-12165	5	021-15804	5	021-15804	5	021-12165	5	021-12165
214	Nut, Hex	3	021-00474	3	021-00474	4	021-10171	4	021-10171	3	021-00474	3	021-00474	4	021-10171	4	021-10171
215	Bearing, Gear (Front)	1	064-46622	1	064-46622	1	064-46124	1	064-46124	1	064-46622	1	064-46622	1	064-46124	1	064-46124
216	Cover, L.S. Thrust	1	064-46624	1	064-46624	1	064-46625	1	064-46625	1	064-46624	1	064-46624	1	064-46625	1	064-46625
217	Seal, O-Ring	1	028-10176	1	028-10176	1	028-10177	1	028-10177	1	028-10176	1	028-10176	1	028-10177	1	028-10177
218	Gasket	1	064-46959	1	064-46959	1	064-46960	1	064-46960	1	064-46959	1	064-46959	1	064-46960	1	064-46960
219	Scr., Cap 3/8-16 Soc. Hd.	3	021-16082	3	021-16082	3	021-16083	3	021-16083	3	021-16082	3	021-16082	3	021-16083	3	021-16083
220	Scr., Cap 3/8-16 x 1-3/4	20	021-11916	20	021-11916	24	021-11916	24	021-11916	20	021-11916	20	021-11916	24	021-11916	24	021-11916
221	PRV. Motor	1	025-17174	1	025-17174	1	025-17175	1	025-17175	1	025-17174	1	025-17174	1	025-17175	1	025-17175
222																	
223																	
224	Lever, Prerotation Internal	1	364-20399	1	364-20399	1	364-21442	1	364-21442	1	364-20399	1	364-20399	1	364-21442	1	364-21442
225	Arm, Motor	1	025-17073	1	025-17073	1	064-33690	1	064-33690	1	025-17073	1	025-17073	1	064-47075	1	064-47075
226	Ring, Fill	1	064-28284	1	064-28284	1	064-29258	1	064-29258	1	064-28284	1	064-28284	1	064-29258	1	064-29258
227	Link, Ext. PRV and Motor	2	064-28260	1	064-28260	1	064-32604	1	064-32604	2	064-28260	1	064-28260	1	064-32604	1	064-32604
228	Link Ext. PRV and Motor					1	064-28260	1	064-28260					1	064-28260	1	064-28260
229	Scr., Set No. 10 x 3/8 Hex Soc.					1	021-03910	1	021-03910					1	021-03910	1	021-03910
230	Rod, Adj. for PRV	1	064-12314	1	064-12314	1	064-09080	1	064-09080	1	064-12314	1	064-12314	1	064-09080	1	064-09080
231	Brg. Rod End	2	029-08343	2	029-08343	2	029-07015	2	029-07015	2	029-08343	2	029-08343	2	029-07015	2	029-07015
232	Scr., Cap	1	021-11742	1	021-11742	1	021-11517	1	021-11517	1	021-11742	1	021-11742	1	021-11517	1	021-11517
233	Scr., Cap	1	021-11141	1	021-11141	1	064-09078	1	064-09078	1	021-11141	1	021-11141	1	064-09078	1	064-09078
234	Fill, Piece	3	064-12328	3	064-12328	1	064-09069	1	064-09069	3	064-12328	3	064-12328	1	064-09069	1	064-09069
235	Fill, Piece					1	064-09070	1	064-09070					1	064-09070	1	064-09070
236	Nipple, Pipe 3/4 sch. 40	1	070-01455	1	070-01455	1	070-01455	1	070-01455	1	023-14778	1	023-14778	1	023-14778	1	023-14778
237	Lockwasher, Spring	1	021-10815	1	021-10815	1	021-05271	1	021-05271	1	021-10815	1	021-10815	1	021-05271	1	021-05271
238	Scr. Cap 1/4-20 x 1 Lg.	3	021-11914	3	021-11914	4	021-11914	4	021-11914	3	021-11914	3	021-11914	4	021-11914	4	021-11914
239	Scr., Cap 1/4-20 x 1-1/2 Lg.	1	021-02399	1	021-02399					1	021-02399	1	021-02399				
240	Bolt, Shoulder	1	064-28286	1	064-28286	1	064-33744	1	064-33744	1	064-28286	1	064-28286	1	064-33744	1	064-33744
241	Sealant					.001	013-01678	.001	013-01678					.001	013-01678	.001	013-01678
242	Tube, 3/4 O.D. x .049 wall	A.R.	003-00952	A.R.	003-00952	A.R.	003-00952	A.R.	003-00952	1	064-47412	1	064-47412	1	064-47412	1	064-47412
243	Nipple, Pipe 2	1	070-02092	1	070-02092	1	070-02094	1	070-02094	1	023-14530	1	025-14530	1	025-14530	1	025-14530
244	Elbow, Scr., St., 3/4 - 90°																
245	Lockwasher	20	021-08296	20	021-08296	24	021-08296	24	021-08296	20	021-08296	20	021-08296	24	021-08296	24	021-08296

MODEL YTJ

COVER FOR YTJ MOTOR SUPPORT



MODEL YDTJ

COVER FOR YDTJ MOTOR SUPPORT

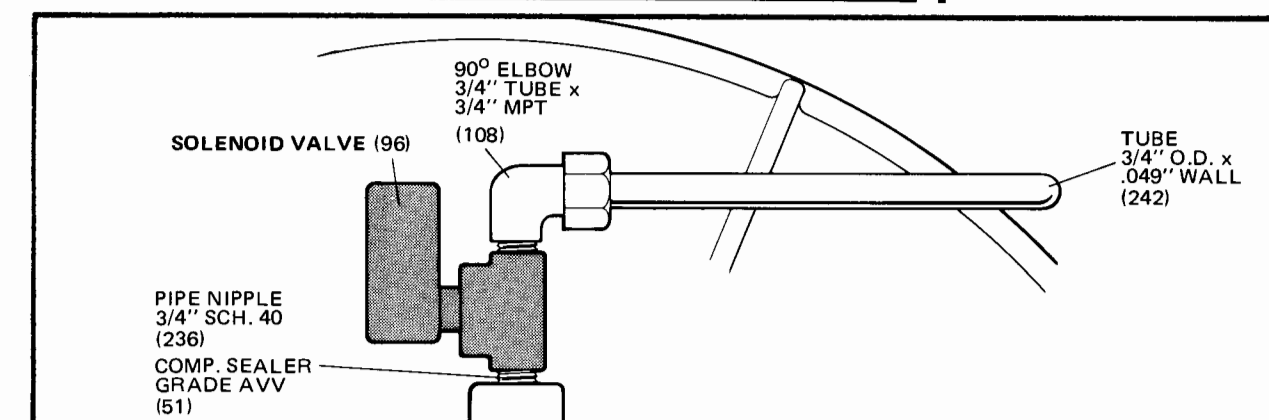
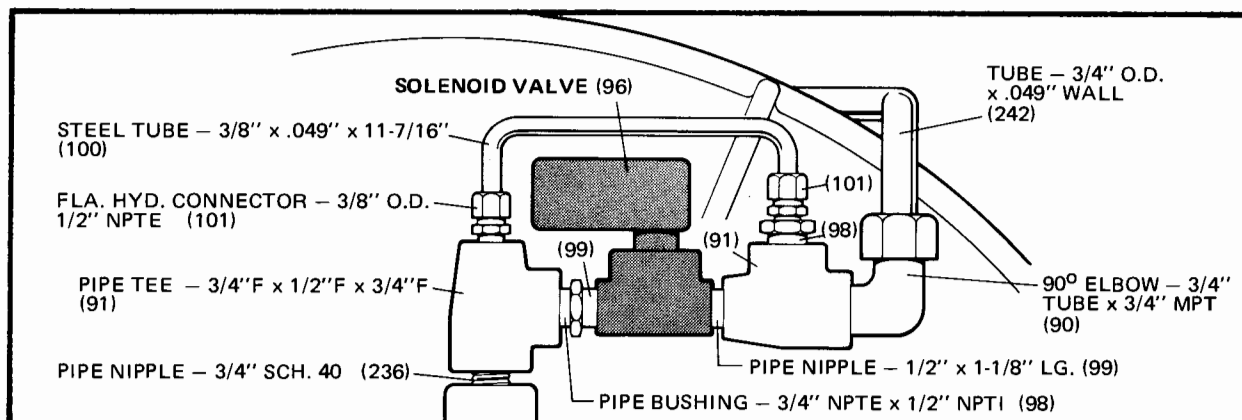
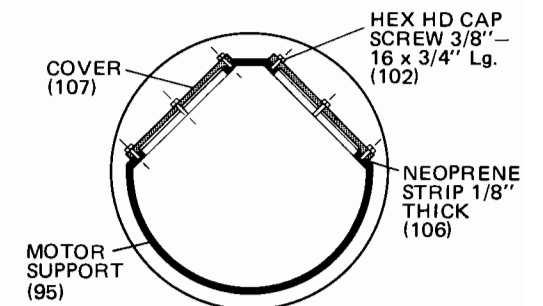


FIG. 2 — YTJ ORIGINAL DESIGN EQUALIZING LINE AND SOLENOID VALVE ASSEMBLY

FIG. 2A — CURRENT DESIGN EQUALIZING LINE AND SOLENOID VALVE ASSEMBLY

*NOTE: Part No. was 364-46794 and 364-46632 — To modify compressors — See Design History

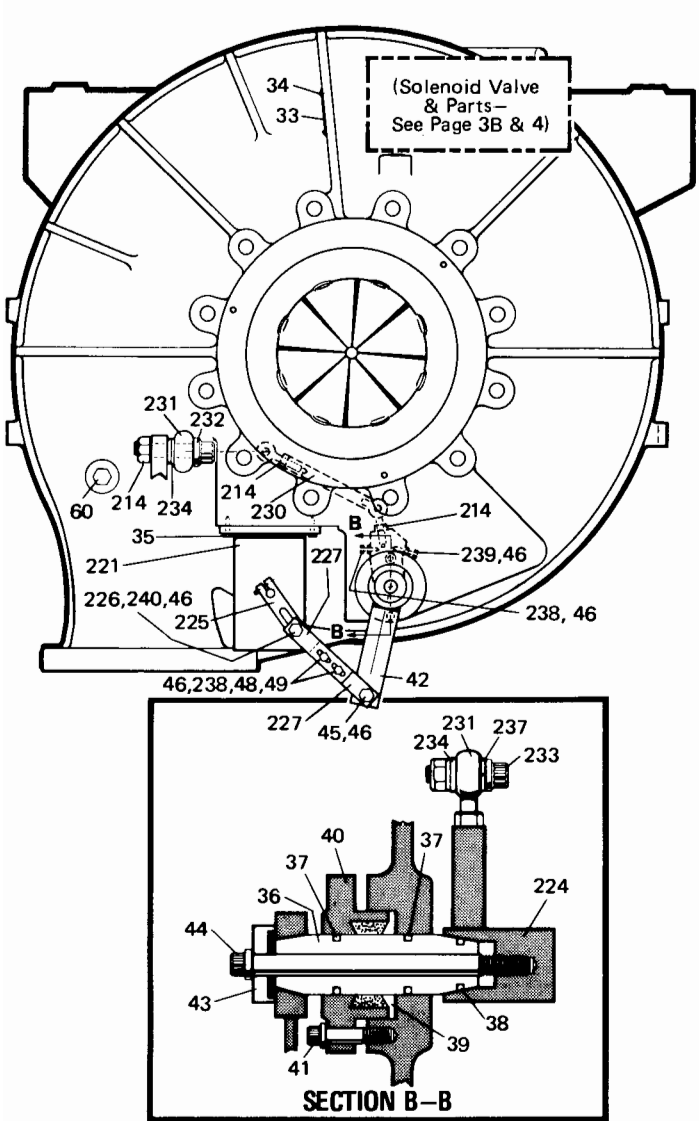


FIG. 3 - FRONT END VIEW MODELS YTJ & YDTJ 67-76 VANES IN CLOSED POSITION

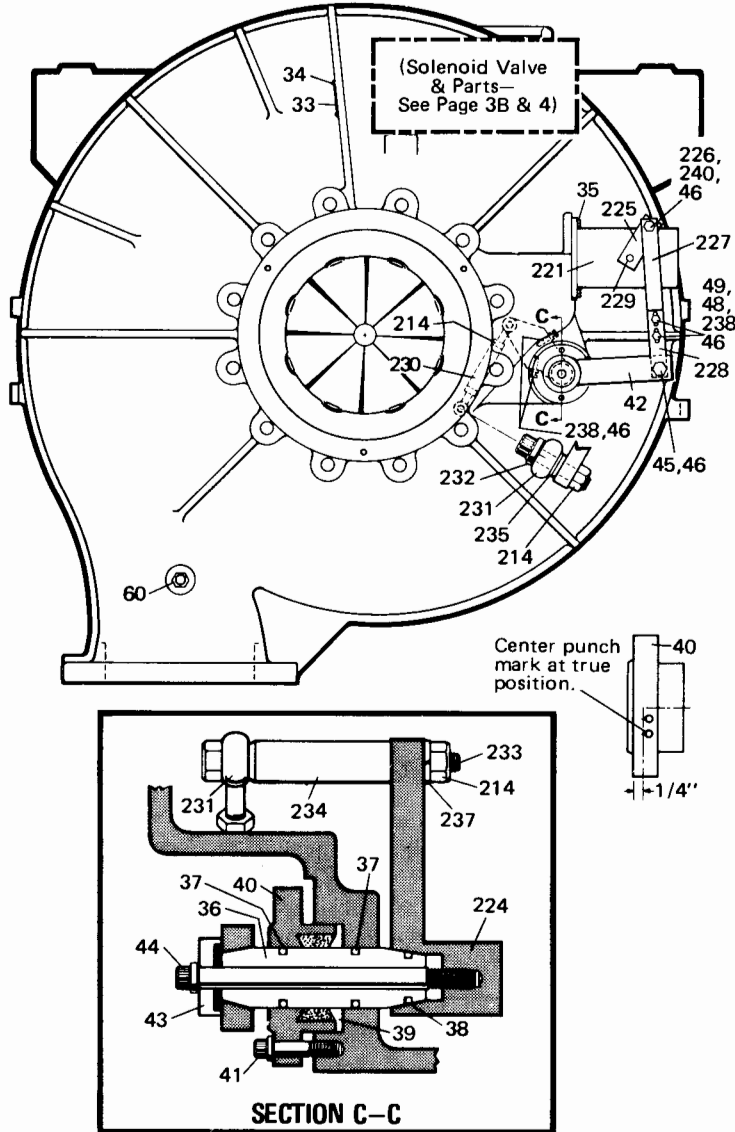


FIG. 4 - FRONT END VIEW MODELS YTJ & YDTJ 85-95 VANES IN CLOSED POSITION

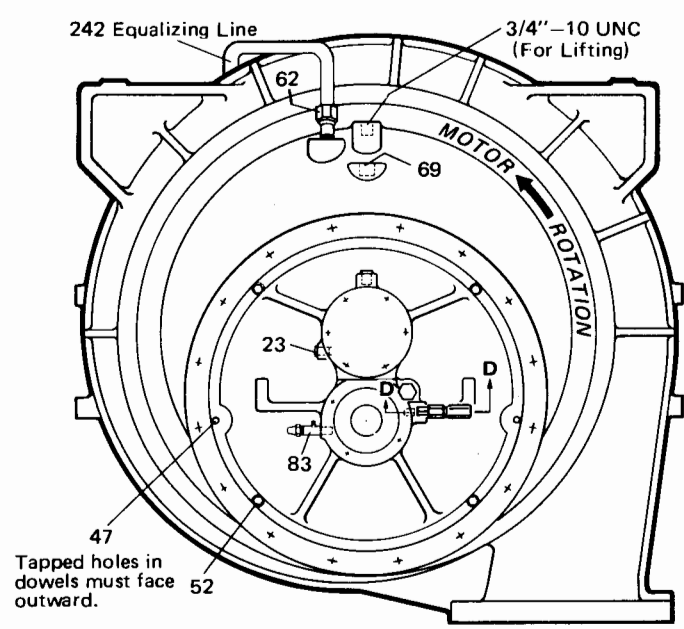
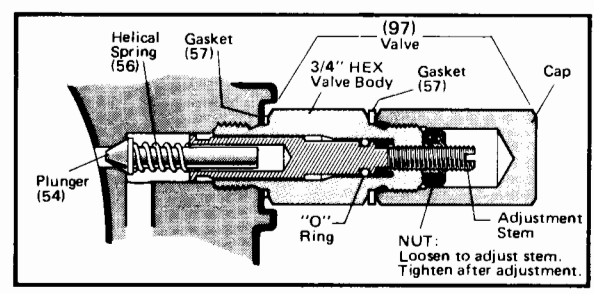
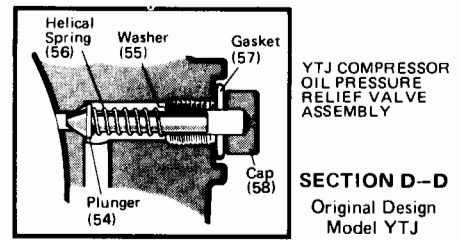


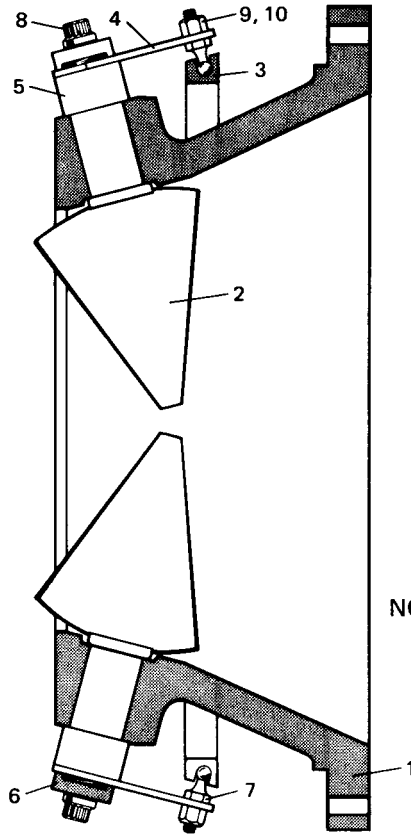
FIG. 5 - REAR END VIEW MODELS YTJ & YDTJ COMPRESSOR



SECTION D-D NEW DESIGN STYLE "D" COMPRESSOR
NOTE: Use for replacement on "Original Design" YTJ and Model YDTJ.

COMPRESSOR — MODELS YTJ 67, 76, 85 AND 95

Prerotation Vane Housing Parts



NOTE: For CB compressor PRV housing parts see page 19A.

Item	Part Description	Models			
		YTJ or YDTJ 67		YTJ or YDTJ 76	
		Part No.	Quan.	Part No.	Quan.
1	Housing, Pre-Rotation	064-13486	1	064-13485	1
2	Vane, Pre-Rotation	064-10618	9	064-10618	9
3	Ring, Vane Driving	064-10815	1	064-10815	1
4	Arm, Vane	064-10818	9	064-10818	9
5	Washer	064-10819	9	064-10819	9
6	Washer—Special	064-09289	9	064-09289	9
7	Washer	021-11973	10	021-11973	10
8	Screw, Cap 12 Pt. Hd. 3/8-24 UNF x 2 Lg.	021-11956	9	021-11956	9
9	Screw, Ball	029-07017	9	029-07017	9
10	Nut, Hex, 1/4-28 UNF 33	021-12943	9	021-12943	9

Item	Part Description	Models			
		YTJ or YDTJ 85		YTJ or YDTJ 95	
		Part No.	Quan.	Part No.	Quan.
1	Housing, Pre-Rotation	064-13481	1	064-13482	1
2	Vane, Pre-Rotation	064-08822	8	064-08822	8
3	Ring, Vane Driving	064-08813	1	064-08813	1
4	Arm, Vane	064-08814	8	064-08814	8
5	Washer	064-09061	8	064-09061	8
6	Washer—Special	064-08815	8	064-08815	8
7	Washer	021-11973	10	021-11973	10
8	Screw, Cap 12 Pt. Hd. 3/8-24 UNF x 2 Lg.	021-11743	8	021-11743	8
9	Screw, Ball	029-07017	8	029-07017	8
10	Nut, Hex, 1/4-28 UNF 33	021-12943	8	021-12943	8

FIG. 6 — PREROTATION VANE HOUSING PARTS

MODEL YTJ 60 Hz Motor and Motor Support

Gear Sets

B1 and B2 Compressor 50 and 60 Hertz	
Speed Code	Part Number
KW	029-14400-906
KX	029-14400-907
KY	029-14400-908
KZ	029-14400-909
LA	029-14400-910
LB	029-14400-911
LC	029-14400-912
LD	029-14400-913
LE	029-14400-914
LF	029-14400-915
LG	029-14400-916
LH	029-14400-917
LJ	029-14400-918
LK	029-14400-919
LL	029-14400-920
LM	029-14400-921
LN	029-14400-922
LP	029-14400-923
LQ	029-14400-924
LR	029-14400-925
LS	029-14400-926
LT	029-14400-927
C1, C2 and C3 Compressor 50 and 60 Hertz	
KQ	029-14400-900
KR	029-14400-901
KS	029-14400-902
KT	029-14400-903
KU	029-14400-904
KV	029-14400-905
KW	029-14400-906
KX	029-14400-907
KY	029-14400-908
KZ	029-14400-909
LA	029-14400-910
LB	029-14400-911
LC	029-14400-912
LD *	029-14400-913
LE	029-14400-914
LF	029-14400-915
LG	029-14400-916
LH **	029-14400-917
LJ	029-14400-918
LK	029-14400-919
LL	029-14400-920
LM	029-14400-921
LN	029-14400-922
LP	029-14400-923
LQ	029-14400-924
LR	029-14400-925

Motor Code	Voltage 60 Hz Nameplate	MOTOR		MOTOR SUPPORT	
		Reliance	Siemens	Reliance	Siemens
		Part No.	Part No.	Part No.	Part No.
CF	200 OR 208	024-21269-201	024-21269-401	364-46643	364-46640
	230 OR 240	024-21269-202	024-21269-402	364-46632	364-46640
	380	024-21269-203	024-21269-403	364-46643	364-46640
	416	024-21269-204	024-21269-404	364-46643	364-46640
	440 OR 460 OR 480	024-21269-205	024-21269-405	364-46643	364-46640
	575 OR 600	024-21269-206	024-21269-406	364-46643	364-46640
	2300	—	024-21269-407	—	364-46641
	3300	—	024-21269-408	—	364-46642
	4000 OR 4160	—	024-21269-409	—	364-46642
	200 OR 208	024-21269-210	024-21269-410	364-46643	364-46640
	230 OR 240	024-21269-211	024-21269-411	364-46643	364-46640
	380	024-21269-212	024-21269-412	364-46643	364-46640
416	024-21269-213	024-21269-413	364-46643	364-46640	
440 OR 460 OR 480	024-21269-214	024-21269-414	364-46643	364-46640	
575 OR 600	024-21269-215	024-21269-415	364-46643	364-46640	
2300	—	024-21269-416	—	364-46641	
3300	—	024-21269-417	—	364-46642	
4000 OR 4160	—	024-21269-418	—	364-46642	
CH	200 OR 208	024-21269-219	024-21269-419	364-46644	364-46641
	230 OR 240	024-21269-220	024-21269-420	364-46644	364-46641
	380	024-21269-221	024-21269-421	364-46644	364-46641
	416	024-21269-222	024-21269-422	364-46644	364-46641
	440 OR 460 OR 480	024-21269-223	024-21269-423	364-46644	364-46641
	575 OR 600	024-21269-224	024-21269-424	364-46644	364-46641
	2300	—	024-21269-425	—	364-46641
	3300	—	024-21269-426	—	364-46642
	4000 OR 4160	—	024-21269-427	—	364-46642
	200 OR 208	024-21269-228	024-21269-428	364-46644	364-46641
	230 OR 240	024-21269-229	024-21269-429	364-46644	364-46641
	380	024-21269-230	024-21269-430	364-46644	364-46641
416	024-21269-231	024-21269-431	364-46644	364-46641	
440 OR 460 OR 480	024-21269-232	024-21269-432	364-46644	364-46641	
575 OR 600	024-21269-233	024-21269-433	364-46644	364-46641	
2300	—	024-21269-434	—	364-46641	
3300	—	024-21269-435	—	364-46642	
4000 OR 4160	—	024-21269-436	—	364-46642	
CJ	200 OR 208	024-21269-237	024-21269-437	364-46644	364-46641
	230 OR 240	024-21269-238	024-21269-438	364-46644	364-46641
	380	024-21269-239	024-21269-439	364-46644	364-46641
	416	024-21269-240	024-21269-440	364-46644	364-46641
	440 OR 460 OR 480	024-21269-241	024-21269-441	364-46644	364-46641
	575 OR 600	024-21269-242	024-21269-442	364-46644	364-46641
	2300	—	024-21269-443	—	364-46641
	3300	—	024-21269-444	—	364-46642
	4000 OR 4160	—	024-21269-445	—	364-46642
	200 OR 208	024-21269-237	024-21269-437	364-46644	364-46641
	230 OR 240	024-21269-238	024-21269-438	364-46644	364-46641
	380	024-21269-239	024-21269-439	364-46644	364-46641
416	024-21269-240	024-21269-440	364-46644	364-46641	
440 OR 460 OR 480	024-21269-241	024-21269-441	364-46644	364-46641	
575 OR 600	024-21269-242	024-21269-442	364-46644	364-46641	
2300	—	024-21269-443	—	364-46641	
3300	—	024-21269-444	—	364-46642	
4000 OR 4160	—	024-21269-445	—	364-46642	
CK	200 OR 208	024-21269-237	024-21269-437	364-46644	364-46641
	230 OR 240	024-21269-238	024-21269-438	364-46644	364-46641
	380	024-21269-239	024-21269-439	364-46644	364-46641
	416	024-21269-240	024-21269-440	364-46644	364-46641
	440 OR 460 OR 480	024-21269-241	024-21269-441	364-46644	364-46641
	575 OR 600	024-21269-242	024-21269-442	364-46644	364-46641
	2300	—	024-21269-443	—	364-46641
	3300	—	024-21269-444	—	364-46642
	4000 OR 4160	—	024-21269-445	—	364-46642
	200 OR 208	024-21269-237	024-21269-437	364-46644	364-46641
	230 OR 240	024-21269-238	024-21269-438	364-46644	364-46641
	380	024-21269-239	024-21269-439	364-46644	364-46641
416	024-21269-240	024-21269-440	364-46644	364-46641	
440 OR 460 OR 480	024-21269-241	024-21269-441	364-46644	364-46641	
575 OR 600	024-21269-242	024-21269-442	364-46644	364-46641	
2300	—	024-21269-443	—	364-46641	
3300	—	024-21269-444	—	364-46642	
4000 OR 4160	—	024-21269-445	—	364-46642	

* Maximum gear code for C2 and C3 Compressor with 60 Hz Turbo-Modulator.

** Maximum gear code for C1 Compressor with 60 Hz Turbo-Modulator.

MODEL YTJ 60 Hz Motor and Motor Support

Motor Code	Voltage 60 Hz Nameplate	MOTOR		MOTOR SUPPORT	
		Reliance	Siemens	Reliance	Siemens
		Part No.	Part No.	Part No.	Part No.
CL	200 OR 208	024-21269-246	024-21269-446	364-46603	364-46601
	230 OR 240	024-21269-247	024-21269-447	364-46603	364-46601
	248	024-21269-248	024-21269-448	364-46603	364-46601
	416	024-21269-249	024-21269-449	364-46603	364-46601
	440 OR 460 OR 480	024-21269-250	024-21269-450	364-46603	364-46601
	575 OR 600	024-21269-251	024-21269-451	364-46603	364-46601
	2300	—	024-21269-452	—	364-46605
	3300	—	024-21269-453	—	364-46605
	4000 OR 4160	—	024-21269-454	—	364-46605
CM	200 OR 208	024-21269-255	024-21269-455	364-46604	364-46605
	230 OR 240	024-21269-256	024-21269-456	364-46604	364-46605
	380	024-21269-257	024-21269-457	364-46604	364-46605
	416	024-21269-258	024-21269-458	364-46604	364-46605
	440 OR 460 OR 480	024-21269-259	024-21269-459	364-46603	364-46605
	575 OR 600	024-21269-260	024-21269-460	364-46603	364-46605
	2300	—	024-21269-461	—	364-46605
	3300	—	024-21269-462	—	364-46605
	4000 OR 4160	—	024-21269-463	—	364-46605
CN	200 OR 208	024-21269-264	024-21269-464	364-46604	364-46605
	230 OR 240	024-21269-265	024-21269-465	364-46604	364-46605
	380	024-21269-266	024-21269-466	364-46604	364-46605
	416	024-21269-267	024-21269-467	364-46604	364-46605
	440 OR 460 OR 480	024-21269-268	024-21269-468	364-46604	364-46605
	575 OR 600	024-21269-269	024-21269-469	364-46604	364-46605
	2300	—	024-21269-470	—	364-46605
	3300	—	024-21269-471	—	364-46605
	4000 OR 4160	—	024-21269-472	—	364-46605
CP¹	200 OR 208	024-21269-273	024-21269-473	364-46604	364-46605
	230 OR 240	024-21269-274	024-21269-474	364-46604	364-46605
	380	024-21269-275	024-21269-475	364-46604	364-46605
	416	024-21269-276	024-21269-476	364-46604	364-46605
	440 OR 460 OR 480	024-21269-277	024-21269-477	364-46604	364-46605
	575 OR 600	024-21269-278	024-21269-478	364-46604	364-46605
	2300	—	024-21269-479	—	364-46605
	3300	—	024-21269-480	—	364-46605
	4000 OR 4160	—	024-21269-481	—	364-46605

NOTE:¹ If a code CP motor is specified for a Turbomodulator Turbopak, a Reliance motor is used.

MODELS YTJ 50 Hz Motor and Motor Support

Motor Code	Voltage 50 Hz Nameplate	MOTOR		MOTOR SUPPORT	
		Reliance	Siemens	Reliance	Siemens
		Part No.	Part No.	Part No.	Part No.
5CC	220	024-21269-301	024-21269-501	364-46643	364-46640
	346	024-21269-213	024-21269-413	364-46643	364-46640
	380 OR 400	024-21269-214	024-21269-414	364-46643	364-46640
	415	024-21269-304	024-21269-504	364-45543	364-46640
	440	024-21269-305	024-21269-505	364-46643	364-46640
	500	024-21269-215	024-21269-415	364-46643	364-46640
	2300	—	024-21269-507	—	364-46641
	3000	—	024-21269-508	—	364-46642
	3300	—	024-21269-418	—	364-46642
5CD	220	024-21269-310	024-21269-510	364-46644	364-46641
	346	024-21269-222	024-21269-422	364-46644	364-46641
	380 OR 400	024-21269-223	024-21269-423	364-46644	364-46641
	415	024-21269-313	024-21269-513	364-46644	364-46641
	440	024-21269-314	024-21269-514	364-46644	364-46641
	500	024-21269-224	024-21269-424	364-46644	364-46641
	2300	—	024-21269-516	—	364-46641
	3000	—	024-21269-517	—	364-46642
	3300	—	024-21269-427	—	364-46642
5CE	220	024-21269-319	024-21269-519	364-46644	364-46641
	346	024-21269-231	024-21269-431	364-46644	364-46641
	380 OR 400	024-21269-232	024-21269-432	364-46644	364-46641
	415	024-21269-322	024-21269-522	364-46644	364-46641
	440	024-21269-323	024-21269-523	364-46644	364-46641
	500	024-21269-233	024-21269-433	364-46644	364-46641
	2300	—	024-21269-525	—	364-46641
	3000	—	024-21269-526	—	364-46642
	3300	—	024-21269-436	—	364-46642
5CF	220	024-21269-328	024-21269-528	364-46644	364-46641
	346	024-21269-240	024-21269-440	364-46644	364-46641
	380 OR 400	024-21269-241	024-21269-441	364-46644	364-46641
	415	024-21269-331	024-21269-531	364-46644	364-46641
	440	024-21269-332	024-21269-532	364-46644	364-46641
	500	024-21269-242	024-21269-442	364-46644	364-46641
	2300	—	024-21269-534	—	364-46641
	3000	—	024-21269-535	—	364-46642
	3300	—	024-21269-445	—	364-46642
5CG	220	024-21269-337	024-21269-537	364-46644	364-46641
	346	024-21269-249	024-21269-449	364-46644	364-46641
	380 OR 400	024-21269-250	024-21269-450	364-46644	364-46641
	415	024-21269-340	024-21269-540	364-46644	364-46641
	440	024-21269-341	024-21269-541	364-46644	364-46641
	500	024-21269-251	024-21269-451	364-46644	364-46641
	2300	—	024-21269-543	—	364-46641
	3000	—	024-21269-544	—	364-46642
	3300	—	024-21269-454	—	364-46642

MODELS YTJ 50 Hz Motor and Motor Support

Motor Code	Voltage 50 Hz Nameplate	MOTOR		MOTOR SUPPORT	
		Reliance	Siemens	Reliance	Siemens
		Part No.	Part No.	Part No.	Part No.
5CH	220	024-21269-346	024-21269-546	364-46644	364-46641
	346	024-21269-258	024-21269-458	364-46644	364-46641
	380 OR 400	024-21269-259	024-21269-459	364-46644	364-46641
	415	024-21269-349	024-21269-549	364-46644	364-46641
	440	024-21269-350	024-21269-550	364-46644	364-46641
	500	024-21269-260	024-21269-460	364-46644	364-46641
	2300	—	024-21269-552	—	364-46641
	3000	—	024-21269-553	—	364-46642
	3300	—	024-21269-463	—	364-46642
5CI	220	024-21269-355	024-21269-555	364-46644	364-46641
	346	024-21269-267	024-21269-467	364-46644	364-46641
	380 OR 400	024-21269-268	024-21269-468	364-46644	364-46641
	415	024-21269-358	024-21269-558	364-46644	364-46641
	440	024-21269-359	024-21269-559	364-46644	364-46641
	500	024-21269-269	024-21269-469	364-46644	364-46641
	2300	—	024-21269-561	—	364-46642
	3000	—	024-21269-562	—	364-46642
	3300	—	024-21269-472	—	364-46642
5CJ	220	024-21269-364	024-21269-564	364-46644	364-46641
	346	024-21269-276	024-21269-476	364-46644	364-46641
	380 OR 400	024-21269-277	024-21269-477	364-46644	364-46641
	415	024-21269-367	024-21269-567	364-46644	364-46641
	440	024-21269-368	024-21269-568	364-46644	364-46641
	500	024-21269-278	024-21269-478	364-46644	364-46641
	2300	—	024-21269-570	—	364-46642
	3000	—	024-21269-571	—	364-46642
	3300	—	024-21269-481	—	364-46642
5CK	220	024-21269-373	024-21269-573	364-46644	364-46642
	346	024-21269-374	024-21269-574	364-46644	364-46642
	380 OR 400	024-21269-375	024-21269-575	364-46644	364-46642
	415	024-21269-376	024-21269-576	364-46644	364-46642
	440	024-21269-377	024-21269-577	364-46644	364-46642
	500	024-21269-378	024-21269-578	364-46644	364-46642
	2300	—	024-21269-579	—	364-46642
	3000	—	024-21269-580	—	364-46642
	3300	—	024-21269-581	—	364-46642
5CL	220	024-21269-382	024-21269-582	364-46644	364-46642
	346	024-21269-383	024-21269-583	364-46644	364-46642
	380 OR 400	024-21269-384	024-21269-584	364-46644	364-46642
	415	024-21269-385	024-21269-585	364-46644	364-46642
	440	024-21269-386	024-21269-586	364-46644	364-46642
	500	024-21269-387	024-21269-587	364-46644	364-46642
	2300	—	024-21269-588	—	364-46642
	3000	—	024-21269-589	—	364-46642
	3300	—	024-21269-590	—	364-46642

MODEL YDTJ 60 Hz Motor and Motor Support

Motor Code	Voltage 60 Hz Nameplate	MOTOR			MOTOR SUPPORT		
		Reliance	Siemens	Toshiba	Reliance	Siemens	Toshiba
		Part No.	Part No.	Part No.	Part No.		
CF	200 OR 208	024-23992-001	024-23992-201	024-23992-601	064-47326		
	230 OR 240	024-23992-002	024-23992-202	024-23992-602			
	380	024-23992-003	024-23992-203	024-23992-603			
	416	024-23992-004	024-23992-204	024-23992-604			
	440 OR 460 OR 480	024-23992-005	024-23992-205	024-23992-605			
	575 OR 600	024-23992-006	024-23992-206	024-23992-606			
	2300	024-23992-007	024-23992-207	—			
	3300	024-23992-008	024-23992-208	—			
	4000 OR 4160	024-23992-009	024-23992-209	—			
CG	200 OR 208	024-23992-010	024-23992-210	024-23992-610			
	230 OR 240	024-23992-011	024-23992-211	024-23992-611			
	380	024-23992-012	024-23992-212	024-23992-612			
	416	024-23992-013	024-23992-213	024-23992-613			
	440 OR 460 OR 480	024-23992-014	024-23992-214	024-23992-614			
	575 OR 600	024-23992-015	024-23992-215	024-23992-615			
	2300	024-23992-016	024-23992-216	—			
	3300	024-23992-017	024-23992-217	—			
	4000 OR 4160	024-23992-018	024-23992-218	—			
CH	200 OR 208	024-23992-019	024-23992-219	024-23992-619			
	230 OR 240	024-23992-020	024-23992-220	024-23992-620			
	380	024-23992-021	024-23992-221	024-23992-621			
	416	024-23992-022	024-23992-222	024-23992-622			
	440 OR 460 OR 480	024-23992-023	024-23992-223	024-23992-623			
	575 OR 600	024-23992-024	024-23992-224	024-23992-624			
	2300	024-23992-025	024-23992-225	—			
	3300	024-23992-026	024-23992-226	—			
	4000 OR 4160	024-23992-027	024-23992-227	—			
CJ	200 OR 208	024-23992-028	024-23992-228	024-23992-628			
	230 OR 240	024-23992-029	024-23992-229	024-23992-629			
	380	024-23992-030	024-23992-230	024-23992-630			
	416	024-23992-031	024-23992-231	024-23992-631			
	440 OR 460 OR 480	024-23992-032	024-23992-232	024-23992-632			
	575 OR 600	024-23992-033	024-23992-233	024-23992-633			
	2300	024-23992-034	024-23992-234	—			
	3300	024-23992-035	024-23992-235	—			
	4000 OR 4160	024-23992-036	024-23992-236	—			
CK	200 OR 208	024-23992-037	024-23992-237	024-23992-637			
	230 OR 240	024-23992-038	024-23992-238	024-23992-638			
	380	024-23992-039	024-23992-239	024-23992-639			
	416	024-23992-040	024-23992-240	024-23992-640			
	440 OR 460 OR 480	024-23992-041	024-23992-241	024-23992-641			
	575 OR 600	024-23992-042	024-23992-242	024-23992-642			
	2300	024-23992-043	024-23992-243	—			
	3300	024-23992-044	024-23992-244	—			
	4000 OR 4160	024-23992-045	024-23992-245	—			

MODEL YDTJ 60 Hz Motor and Motor Support

Motor Code	Voltage 60 Hz Nameplate	MOTOR			MOTOR SUPPORT		
		Reliance	Siemens	Toshiba	Reliance	Siemens	Toshiba
		Part No.	Part No.	Part No.	Part No.	Part No.	Part No.
CL	200 OR 208	024-23992-046	024-23992-246	—	064-47326		
	230 OR 240	024-23992-047	024-23992-247	024-23992-647			
	380	024-23992-048	024-23992-248	024-23992-648			
	416	024-23992-049	024-23992-249	024-23992-649			
	440 OR 460 OR 480	024-23992-050	024-23992-250	024-23992-650			
	575 OR 600	024-23992-051	024-23992-251	024-23992-651			
	2300	024-23992-052	024-23992-252	—			
	3300	024-23992-053	024-23992-253	—			
	4000 OR 4160	024-23992-054	024-23992-254	—			
	CM	200 OR 208	024-23992-055	024-23992-255			
230 OR 240		024-23992-056	024-23992-256	024-23992-656			
380		024-23992-057	024-23992-257	024-23992-657			
416		024-23992-058	024-23992-258	024-23992-658			
440 OR 460 OR 480		024-23992-059	024-23992-259	024-23992-659			
575 OR 600		024-23992-060	024-23992-260	024-23992-660			
2300		024-23992-061	024-23992-261	—			
3300		024-23992-062	024-23992-262	—			
4000 OR 4160		024-23992-063	024-23992-263	—			
CN		200 OR 208	024-23992-064	024-23992-264	—		
	230 OR 240	024-23992-065	024-23992-265	024-23992-665			
	380	024-23992-066	024-23992-266	024-23992-666			
	416	024-23992-067	024-23992-267	024-23992-667			
	440 OR 460 OR 480	024-23992-068	024-23992-268	024-23992-668			
	575 OR 600	024-23992-069	024-23992-269	024-23992-669			
	2300	024-23992-070	024-23992-270	—			
	3300	024-23992-071	024-23992-271	—			
	4000 OR 4160	024-23992-072	024-23992-272	—			
	CP¹	200 OR 208	024-23992-073	---	—		
230 OR 240		024-23992-074	---	—			
380		024-23992-075	024-23992-275	024-23992-675			
416		024-23992-076	024-23992-276	024-23992-676			
440 OR 460 OR 480		024-23992-077	024-23992-277	024-23992-677			
575 OR 600		024-23992-078	024-23992-278	024-23992-678			
2300		024-23992-079	024-23992-279	—			
3300		024-23992-080	024-23992-280	—			
4000 OR 4160		024-23992-081	024-23992-281	—			

NOTE: ¹ If a code CP motor is specified for a Turbomodulator Turbopak, a Reliance motor is used.

MODEL YDTJ 50 Hz
Motor and Motor Support
(Standard Codepak Only)

Motor Code	Voltage 50 Hz Nameplate	MOTOR			MOTOR SUPPORT		
		Reliance	Siemens	Toshiba	Reliance	Siemens	Toshiba
		Part No.	Part No.	Part No.	Part No.	Part No.	Part No.
5CC	220	024-23992-101	024-23992-301	024-23992-701	064-47326 ↓		
	346	024-23992-013	024-23992-213	024-23992-613			
	380 or 400	024-23992-014	024-23992-214	024-23992-614			
	415	024-23992-104	024-23992-304	024-23992-704			
	440	024-23992-105	024-23992-305	024-23992-705			
	500	024-23992-015	024-23992-215	024-23992-615			
	2300	024-23992-107	024-23992-307	—			
	3000	024-23992-108	024-23992-308	—			
	3300	024-23992-018	024-23992-218	—			
5CD	220	024-23992-110	024-23992-310	024-23992-710			
	346	024-23992-022	024-23992-222	024-23992-622			
	380 or 400	024-23992-023	024-23992-223	024-23992-623			
	415	024-23992-113	024-23992-313	024-23992-713			
	440	024-23992-114	024-23992-314	024-23992-714			
	500	024-23992-024	024-23992-224	024-23992-624			
	2300	024-23992-116	024-23992-316	—			
	3000	024-23992-117	024-23992-317	—			
	3300	024-23992-027	024-23992-227	—			
5CE	220	024-23992-119	024-23992-319	024-23992-719			
	346	024-23992-031	024-23992-231	024-23992-631			
	380 OR 400	024-23992-032	024-23992-232	024-23992-632			
	415	024-23992-122	024-23992-322	024-23992-722			
	440	024-23992-123	024-23992-323	024-23992-723			
	500	024-23992-033	024-23992-233	024-23992-633			
	2300	024-23992-125	024-23992-325	—			
	3000	024-23992-126	024-23992-326	—			
	3300	024-23992-036	024-23992-236	—			
5CF	220	024-23992-128	024-23992-328	024-23992-728			
	346	024-23992-040	024-23992-240	024-23992-640			
	380 OR 400	024-23992-041	024-23992-241	024-23992-641			
	415	024-23992-131	024-23992-331	024-23992-731			
	440	024-23992-132	024-23992-332	024-23992-732			
	500	024-23992-042	024-23992-242	024-23992-642			
	2300	024-23992-134	024-23992-334	—			
	3000	024-23992-135	024-23992-335	—			
	3300	024-23992-045	024-23992-245	—			
5CG	220	024-23992-137	024-23992-337	024-23992-737			
	346	024-23992-049	024-23992-249	024-23992-649			
	380 OR 400	024-23992-050	024-23992-250	024-23992-650			
	415	024-23992-140	024-23992-340	024-23992-740			
	440	024-23992-141	024-23992-341	024-23992-741			
	500	024-23992-051	024-23992-251	024-23992-651			
	2300	024-23992-143	024-23992-343	—			
	3000	024-23992-144	024-23992-344	—			
	3300	024-23992-054	024-23992-254	—			

MODEL YDTJ 50 Hz
Motor and Motor Support
(Standard Codepak Only)

Motor Code	Voltage 50 Hz Nameplate	MOTOR			MOTOR SUPPORT		
		Reliance	Siemens	Toshiba	Reliance	Siemens	Toshiba
		Part No.	Part No.	Part No.	Part No.	Part No.	Part No.
5CH	220	024-23992-146	024-23992-346	024-23992-746	064-47326		
	346	024-23992-058	024-23992-258	024-23992-658			
	380 OR 400	024-23992-059	024-23992-259	024-23992-659			
	415	024-23992-149	024-23992-349	024-23992-749			
	440	024-23992-150	024-23992-350	024-23992-750			
	500	024-23992-060	024-23992-260	024-23992-660			
	2300	024-23992-152	024-23992-352	—			
	3000	024-23992-153	024-23992-353	—			
	3300	024-23992-063	024-23992-263	—			
5CI	220	024-23992-155	024-23992-355	024-23992-755			
	346	024-23992-067	024-23992-267	024-23992-667			
	380 OR 400	024-23992-068	024-23992-268	024-23992-668			
	415	024-23992-158	024-23992-358	024-23992-758			
	440	024-23992-159	024-23992-359	024-23992-759			
	500	024-23992-069	024-23992-269	024-23992-669			
	2300	024-23992-161	024-23992-361	—			
	3000	024-23992-162	024-23992-362	—			
	3300	024-23992-072	024-23992-272	—			
5CJ	220	024-23992-164	024-23992-364	024-23992-764			
	346	024-23992-076	024-23992-276	024-23992-676			
	380 OR 400	024-23992-077	024-23992-277	024-23992-677			
	415	024-23992-167	024-23992-367	024-23992-767			
	440	024-23992-168	024-23992-368	024-23992-768			
	500	024-23992-078	024-23992-278	024-23992-678			
	2300	024-23992-170	024-23992-370	—			
	3000	024-23992-171	024-23992-371	—			
	3300	024-23992-081	024-23992-281	—			
5CK	220	024-23992-101	024-23992-301	—			
	346	024-23992-004	024-23992-204	024-23992-604			
	380 OR 400	024-23992-005	024-23992-205	024-23992-605			
	415	024-23992-104	024-23992-304	024-23992-754			
	440	024-23992-105	024-23992-305	024-23992-755			
	500	024-23992-006	024-23992-206	024-23992-606			
	2300	024-23992-107	024-23992-307	—			
	3000	024-23992-108	024-23992-308	—			
	3300	024-23992-009	024-23992-209	—			
5CL	220	024-23992-110	024-23992-310	—			
	346	024-23992-013	024-23992-213	024-23992-613			
	380 OR 400	024-23992-014	024-23992-214	024-23992-614			
	415	024-23992-113	024-23992-313	024-23992-763			
	440	024-23992-114	024-23992-314	024-23992-764			
	500	024-23992-015	024-23992-215	024-23992-615			
	2300	024-23992-116	024-23992-316	—			
	3000	024-23992-117	024-23992-317	—			
	3300	024-23992-018	024-23992-218	—			

OIL PUMP ASSEMBLY (Original Design — Also See Pages 18 & 19)

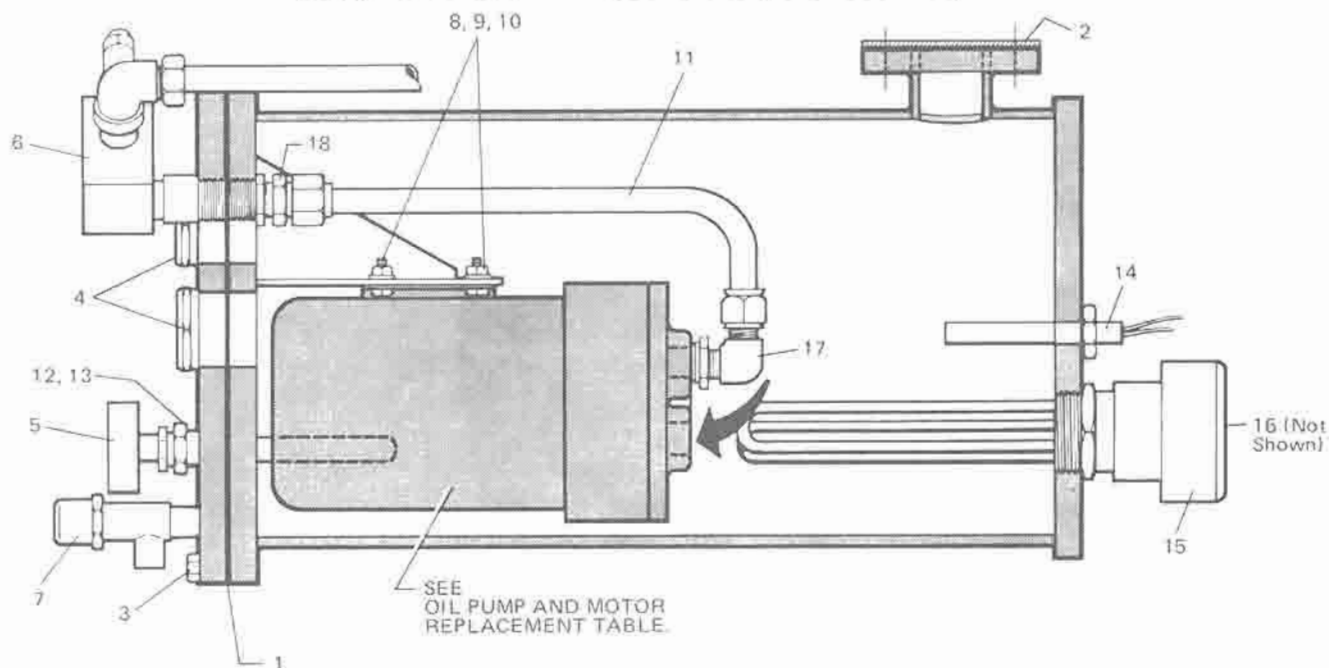


FIG. 7 — OIL SUMP CUTAWAY VIEW

OIL SUMP

Item	Description	Part No.	Quan.
1	Gasket	066-82923	1
2	Gasket	066-84786	1
3	Screw, Cap Hex Hd. 3/8-16 x 1-1/2" Lg.	021-01497	12
4	Sight Glass, 1" Diameter	026-16556	1
	Sight Glass, 1-1/4" Diameter	026-17581	1
5	Thermometer	026-21975	1
6	Valve Relief, 3/4	022-06801	1
7	Valve Stop	022-03835	1
8	Screw, Cap Hex Hd. 5/16-18 x 3/4	021-01418	4
9	Nut, Hex 5/16-18	021-00461	4
10	Washer, Plain, 11/32 I.D. x .065 Thk.	021-05166	4
11	Connection	366-82918	1
12	Swivel Adaptor	023-12978	1
13	Copper Gasket	064-46250	1
14	Temperature Sensor (see page 17)	025-20798	1
15	Oil Heater (see page 17)	025-09445	1
16	Thermostat (see page 17)	024-23990	1
17	Elbow, 90°	023-11348	1
18	Connector	023-10166	1

OIL PUMP & MOTOR REPLACEMENT

Oil Pumps — With Motor		Motor Only	Pump Kit
Voltage	Part No.		
208, 220, 230, 240, 416, 440, 460, 480-3-60	026-28153	024-23153	026-28166
550, 575, 600 3-60	026-28154	N/A	026-28166
380, 400, 415-3-50	026-28158	024-23154	026-28166
346-3-50	026-28156	N/A	026-28166
380-3-60	026-28155	N/A	026-28166
220, 440-3-50	026-28157	N/A	026-28166

Replacement pump for the above is 026-28166 (3G8330).

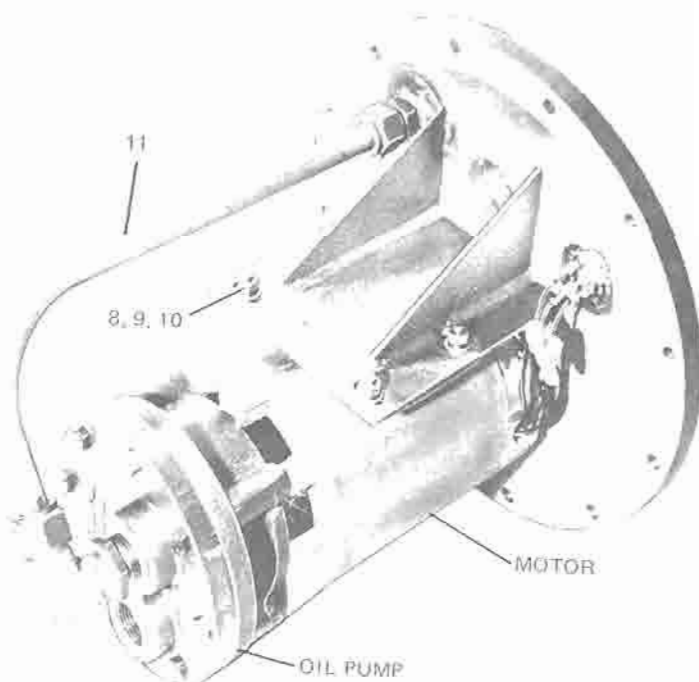
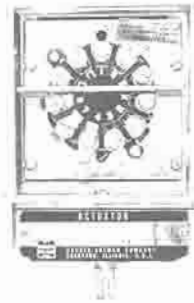
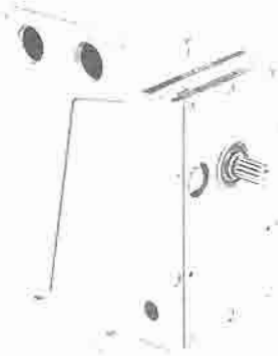


FIG. 8 — OIL PUMP MOUNTED ON COVER

PRV — ACTUATORS



VIEW FROM TOP

PRV—ELECTRIC—MOTOR ACTUATORS PRV ACTUATORS—ELECTRIC

Model	Quan.	Part No.
YTJ – YDTJ 67 & LTJ 67	1	025-17174
YTJ – YDTJ 76 & LTJ 76	1	
YTJ – YDTJ 85 & LTJ 85	1	025-17175
YTJ – YDTJ 95 & LTJ 95	1	

SPECIAL TOOLS AND SUPPLIES

COMPRESSOR TOOL KIT (Part No. 364-46557)

Item	Description	Quan.	Part No.
1	Bar, Rd. 3/8" x 7" Lg.	1	064-46402
2	Pin Guide #10-24 UNC x 6-1/2" Lg.	2	064-46488
3	Stud, Spl. 1/2" - 20 UNF x 9" Lg.	1	064-14500
4	Nut, Hex Hvy. 1/2" - 20 UNF	2	021-00483
5	Pin, Guide 3/8" - 16 UNC x 7-1/2" Lg.	3	064-18716
6	Bolt, Eye 7/8"	1	021-07703
7	Oil Pump	1	470-10654
8	Pin, Guide 1/4" - 20 UNC x 8" Lg.	2	064-46499
9	Nut, Hex 1/4" - 20 UNC	4	021-00450
10	Bar, Tool	1	064-46611
11	Hook, Tool	2	064-46610
12	Bolt, Eye 3/4"	1	021-00307
13	Bar, Cplg.	1	064-46251
14	Scr., Cap Hex 5/8" - 11 x 1-3/4" Lg.	1	021-01628
15	Scr., Cap Hex 3/8" - 16 x 2" Lg.	2	021-01510
16	Tool, Cplg. Drive Half	1	064-46743
17	Strap	1	064-46657
18	Spacer	1	064-46658
19	Scr., Cap Hex 3/8" - 16 UNC x 5/8" Lg.	1	021-01463
20	Nut, Hex 3/8" - 16 UNC	4	021-00467
21	Rod, Threaded 3/8" - 16 UNC x 3" Lg.	2	021-14842
22	Pin, Guide 1/2" - 13 UNC x 7-1/2" Lg.	2	064-46248
23	Bolt, Eye 5/8"	1	021-12366
24	Bolt, Eye 1/2"	3	021-14620
25	Bolt, Eye 3/8"	3	021-13498

TOOLS

Description	Part No.
Pliers, Waldies Truarc. No. 5	029-08590
Pliers, Waldies Truarc. No. 7	029-07934
Hand Oil Pump	070-10654
Hand Oil Pump Seal	028-03292

SEALERS, ADHESIVES & INSULATION TAPE

Item	Description	Part No.
1	Varnish, Scotch Cast Resin No. 2	013-01016
2	Sealant	044-00892
3	Sealer CR CV	013-01678
4	Adhesive	013-00852
5	Adhesive Sealing	013-02065
6	Tape Motor Terminal Insul.	010-04101

LUBRICANTS, OILS & COMPOUNDS

Description	Part No.
Thread Compound, ARI High Pressure—1/4 Pt. Can	464-14934
Coating Lubricant—Molykote, Type Z—2 Oz. Can	364-21508
Oil, York Refrigeration—Type C—5 Gal. Can	011-00312
YT Oil Bottle Kit	366-89520

YTJ—YDTJ / LTJ 67 – 76 Part No. 364-46997

Gasket Conversion Kit (to modify compressors with Part No. 064-46632)

Item	Description	Quan.	Part No.
1	Gasket Rot. Sup.	1	064-46995
2	Gasket, Noz. Base Plt.	1	064-46961
3	Lk. Washer 3/8"	20	021-08296
4	Scr. Cap 3/8" - 16 UNC x 1-3/4	20	021-11916
5	Instruction	1	035-06478

YTJ—YDTJ / LTJ 85 – 95 Part No. 364-46998

Gasket Conversion Kit (to modify compressors with Part No. 464-46632)

Item	Description	Quan.	Part No.
1	Gasket Rot. Sup.	1	064-46995
2	Gasket, Noz. Base Plt.	1	064-46962
3	Lk. Washer 3/8"	24	021-08296
4	Scr. Cap 3/8" - 16 UNC x 1-3/4	24	021-11916
5	Instruction	1	035-06479

OIL TEMPERATURE SENSOR (See Item 14, Page 15)

The Oil Temperature Sensor, listed as Item 14, Page 15, is for use with chillers equipped with electro-mechanical control panels.

For chillers equipped with the later design microprocessor control panels, the Oil Temperature Sensor should be ordered from the table below:

MICROPROCESSOR CONTROL PANEL		Sensor Part No.
Part No.	Style	
031-00846	KEY TYPE	025-25163 ¹
031-00954 OR 371-01200-00X	KEYLESS	025-28936 ²

¹ Has white nylon connector

² Has black waterproof connector

THERMOSTATIC SWITCH FOR IMMERSION HEATERS (See Items 15 & 16, Page 15)

York immersion heater part number 025-9445-000 has been sourced from as many as four different vendors. Each vendor utilized a different thermostatic switch in the heater. New part numbers have been created for the different types of replacement switches.

The part numbers and vendor information to determine which switch is required are as follows:

PART NUMBER	VENDOR	BULB SIZE
024-23990-000	Electro-Therm	3/8 inch bulb with 3 7/8 inch length
024-25291-000	Chromalox	1/4 inch bulb with 5 5/8 inch length
024-25292-000	Watlow	1/4 inch bulb with 3 1/4 inch length

Some Chromalox heaters were provided with a riveted switch which cannot be replaced. In these instances, new heaters will have to be purchased.

SHAFT SEALS **(See Pages 2 & 3)**

Since we started using the Family IV (131 & 144) Shaft Seal with six (6) springs our leak problems in that family have all but ceased. Therefore, Engineering has put together several kits that can be retro-fitted to previous style units across the board (Family I-II & III & IV).

If you have a particular unit(s) that have a history of Shaft Seal leaks it is recommended that you use one of the new kits when you need to change one out. This is, of course, once you've eliminated other causes, i.e., mis-alignment, etc., etc.

The new kits have been set up in two (2) categories. They are:

1. **Replacement.** This kit is needed to make the initial changeout to the new style seal. It will contain a new cover plate.
2. **Maintenance.** This kit is used after the initial changeout and does not contain the cover plate.

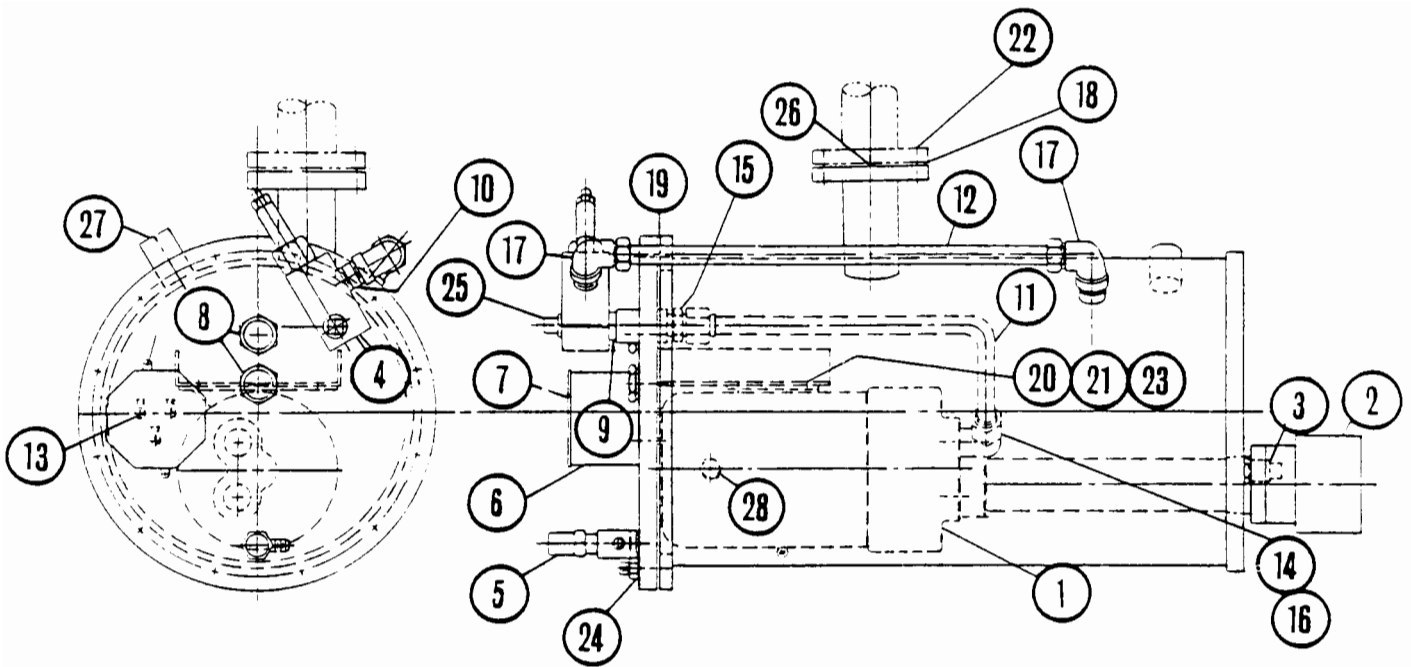
DESCRIPTION	REPLACEMENT	MAINTENANCE
Family II YDTJ 67-95 & CB	464-47821-000	
LTJ & YTJ	464-47822-000	464-47823-000

OIL SUMP ASSEMBLY

There has been a change made to the oil sump assemblies. You will now see two (2) different oil reservoirs; one (1) will have a bolted-on cover plate (original design - see page 15) and one (1) will have welded studs with nuts (new design - see page 19) to install the cover plate.

The original design had a cover plate gasket that fit inside the bolts. The new design has a cover plate gasket that fits around the stud circle and over the bolts.

The other change is the 2" oil drain line connection gasket (item 18). In both cases the new gaskets are compatible with HCFC123.



Item	Description	Quan.	Part No.	Item	Description	Quan.	Part No.
1	Pump	1	See Table Below	15	Conn., Flare	1	023-10166
2	Heater	1	025-09445	16	Elbow, Flare	1	023-11348
3	Sensor, Tempo.	1	025-28936	17	Elbow, Flare	2	023-11364
4	Valve, Relief	1	022-06801	18	Gasket	1	075-02359
5	Valve, Stop	1	022-01582	19	Gasket, Cover Plate	1	075-02360
6	Box, Elec.	1	025-10290	20	Washer, Plain	8	021-05166
7	Cover, Elec. Box	1	025-10291	21	Screw, Cap - 5/16"	4	021-01418
8	Sight Glass	2	026-17581	22	Screw, Cap - 1/2"	4	021-01573
9	Nipple, Pipe - 3/4"	1	023-14775	23	Nut, Hex - 5/16"	4	021-00461
10	Nipple, Pipe - 3/4"	1	023-14464	24	Nut, Hex - 1/2"	12	021-00482
11	Conn., Tube	1	366-82918	25	Plug, Pipe - 3/4"	1	023-04053
12	Conn., Tube	1	066-90971	26	Cap, Sealing	1	028-04656
13	Terminal	3	025-15923	27	Plug, Pipe - 3/4"	1	023-04053
14	Bushing, Pipe	1	023-04045	28	Bushing, Snap	1	025-09848

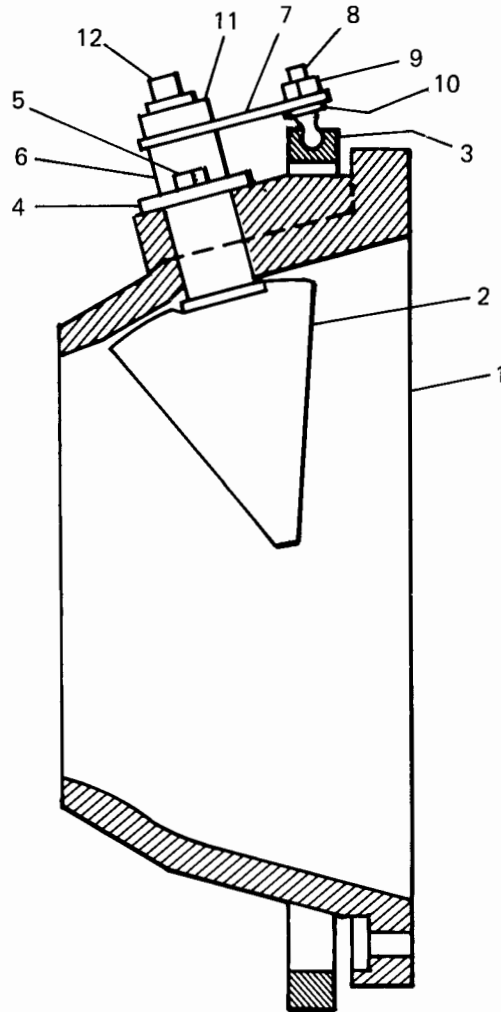
***OIL PUMP & MOTOR REPLACEMENT (1140 RPM)**

Voltage	Part No.	Pump Only
200, 208, 220, 230	026-28153	026-28166
240, 416, 440, 460		
480-3-60		
550, 575	026-28154	026-28166
600-3-60		
380-3-60	026-28155	026-28166
346-3-50	026-28156	026-28166
220, 440-3-50	026-28157	026-28166
380, 400	026-28158	026-28166
415-3-50		

1140 RPM MOTOR

Part No.	Voltage
024-23153	220/440 60 Hz
024-23154	380/400, 416 50 Hz

FIG. 9 – OIL SUMP ASSEMBLY (NEW DESIGN – ALSO SEE PAGES 15 & 18)



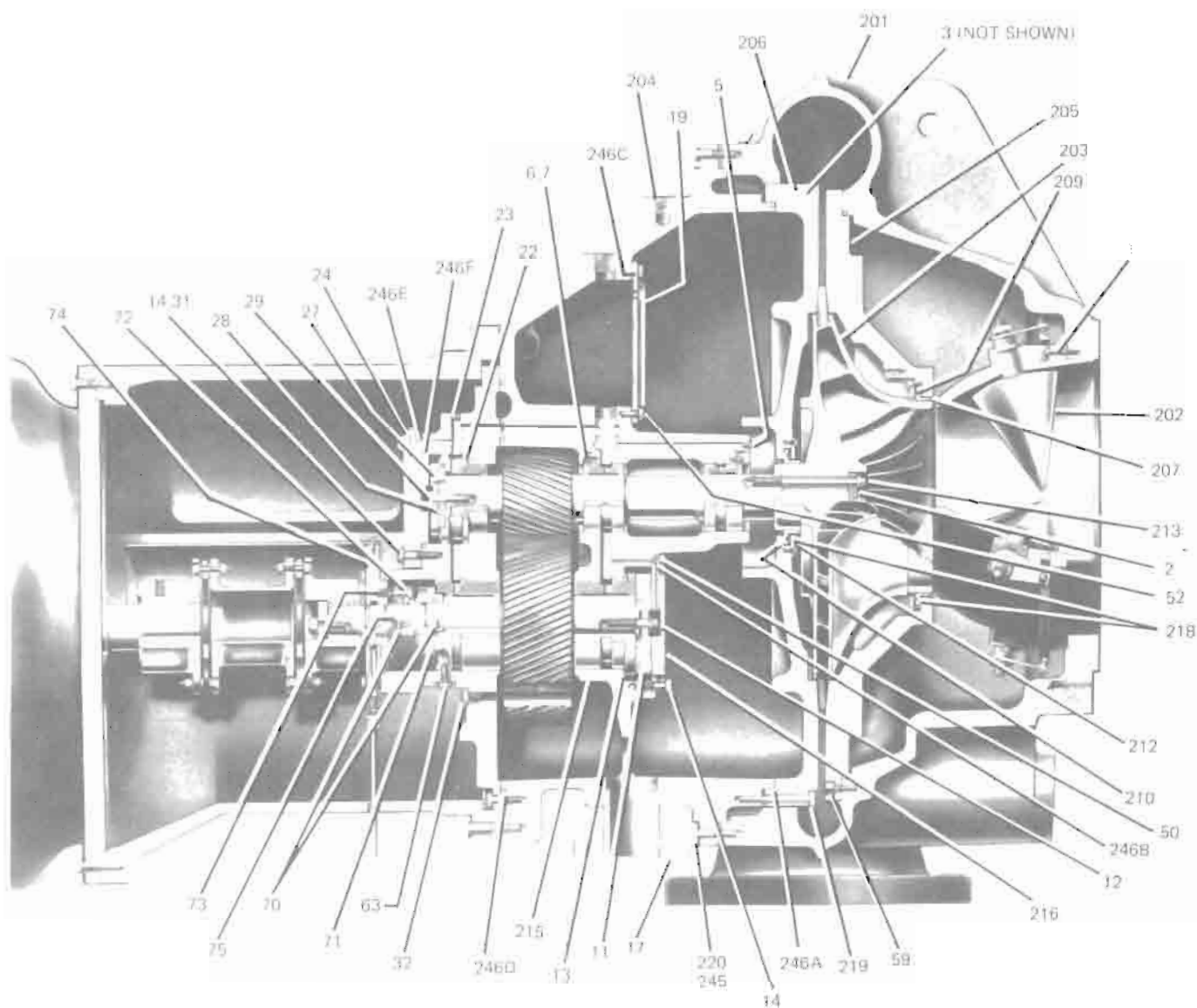
Item No.	Description	Model YDTJ-CB	
		Qty.	Part No.
1	Housing, Pre-rotation	1	064-47476
2	Vane, PRV	9	064-47481
3	Ring, PRV Drive	1	064-47510
4	Retainer, PRV Vane	9	064-47505
5	Screw, Cap	18	021-01372
6	Washer, Spl.	9	064-47506
7	Arm, PRV	9	064-47508
8	Screw, Ball	9	029-07017
9	Nut, Hex .250-28 UNF	9	021-12943
10	Washer	18	021-11973
11	Washer, Spl.	9	064-47516
12	Screw, Cap 12 pt. Hd.	9	021-17244

FIG. 10 – PRE-ROTATION HOUSING ASSEMBLY – CB COMPRESSOR

Item No.	Description	MODEL YDTJ-CB		Item No.	Description	MODEL YDTJ-CB	
		Qty.	Part No.			Qty.	Part No.
1	Scr., Cap 3/8 x 1-1/2 Lg.	3	021-01497	72	Ring, Shaft Seal	1	029-20886
2	Washer, Impeller Clamp	1	064-46146	73	Spring, Helical	6	029-13770-004
3	Scr., Set 1/2 x 3/4 Lg.	2	021-00825	74	Cover, Shaft Seal	1	064-47816
5	Plug, Pipe 1/8	2	023-01970	75	Washer, Shaft Seal	1	064-47833
6	Scr., Cap 1/4 x 1/2 Lg. 12 Pt. Hd.	2	021-11970	201	Scroll, Rotor	1	064-47474
7	Retainer, Bearing	2	064-46886	202	Device, Prerotation	1	364-47522
				203	Impeller	1	064-47465
				204	Support, Rotor/Brg. Hsg.	1	364-46621
11	Collar, L. S. Thrust	1	064-46623	205	Plate, Nozzle Base	1	064-47480
12	Scr., Cap 5/16 12 Pt. Hd.	1	021-11532	206	Plate, Diffuser	1	064-47478
13	Pin, Slot Spring	2	029-04551	207	Ring, Impeller Eye Seal	1	064-47492
14	Scr., Cap 3/8 x 1-1/4 Lg.	12	021-01485	209	Retainer, Implr. Eye Seal	1	064-47497
17	Flange, Special	1	064-46070	210	Ring, Seal (High Pressure)	1	064-47495
19	Cover, Oil Reservoir	1	364-46626	212	Retainer, Seal	1	064-47499
22	Bearing, Thrust H.S. (Rear)	1	064-46127	213	Scr., Cap 12 Pt. Hd. 1/2	5	021-16501
23	Plug, Pipe 1/4	3	023-01973	215	Bearing, Gear Front	1	064-46124
24	Cover, Thrust H.S. (Rear)	1	064-46122	216	Cover, L.S. Thrust	1	064-46625
27	Coller, Thrust H.S. (Rear)	1	064-46130	218	Spring, Hel. Comp.	28	029-10757
28	Pin, Slot Spring	2	029-03991	219	Screw, Cap Hex Soc. Hd. 3/8	3	021-16083
29	Scr., Cap 1/2 x 1-1/4 Lg.	1	021-01567	220	Scr., Cap 12 Pt. Hd. 3/8	24	021-11916
31	Washer, Plain	12	021-16814	245	Lockwasher, Hel. Spg. 3/8	24	021-08296
32	Plug, Flals. 9/16	1	023-07158	246	Kit, Gasket Complete	1	364-47163
50	Ball, Steel	1	021-17369	246A	Seal, O-Ring 25.17 ID	1	028-10178
52	Scr., Cap Hex Hd. 3/8 x 1 Lg.	14	021-01471	246B	Seal, O-Ring 3/16 ID	1	028-11997
59	Scr., Cap 3/8 x 1 Lg. Hex Soc.	3	021-02585	246C	Gasket, Oil Reservoir	1	064-46629
63	Plug, Hex Hd.	1	064-46282	246D	Seal, O-Ring 17.722 ID	1	028-12213
70	Seal, O-Ring	2	028-04519	246E	Seal, O-Ring 3/8 ID	1	028-11998
71	Collar, Shaft Seal	1	064-46755	246F	O-Ring 3-7/8 ID	1	028-12208
				246H	Gasket, 7/8 OD	1	065-21657
				246I	O-Ring .301 ID	1	028-12209
				246J	O-Ring 5/8 ID	1	028-11999
				246L	O-Ring 29.429	1	028-10177
				246M	Gasket, Rotor Supt.	1	064-46960
					Gasket, Suction Flange	1	075-03294
					Gasket, Discharge Flange	1	075-02352

NOTE: Parts not shown above are common to C1 and C2 compressors.
See applicable Figures on preceding pages.

FIG. 11 – CENTRIFUGAL COMPRESSOR PARTS LIST – MODEL YDTJ-CB



PO Box 1592 York, Pennsylvania USA 17405-1592
 Copyright © by York International Corporation 1996

Form 160-45 RP2 2 (1994)
 Supersedes 160-45 RP2 2 (489)
 160-48 RP4 (992)

Subject to change without notice. Printed in USA
 ALL RIGHTS RESERVED

RPC 2M 197 1 60
 Codes: SJ2A, SJ2B, SJ4A & RJM