



### Compressor Selection: Semi-hermetic Reciprocating Compressors

#### Input Values

Compressor model	(44CC-12.2Y)	Suction gas temperature	20,00 °C
Mode	Refrigeration and Air conditioning	Operating mode	Auto
Refrigerant	R404A	Power supply	400V-3-50Hz
Reference temperature	Dew point temp.	Capacity Control	100%
Liq. subc. (in condenser)	0 K	Useful superheat	100%

#### Result

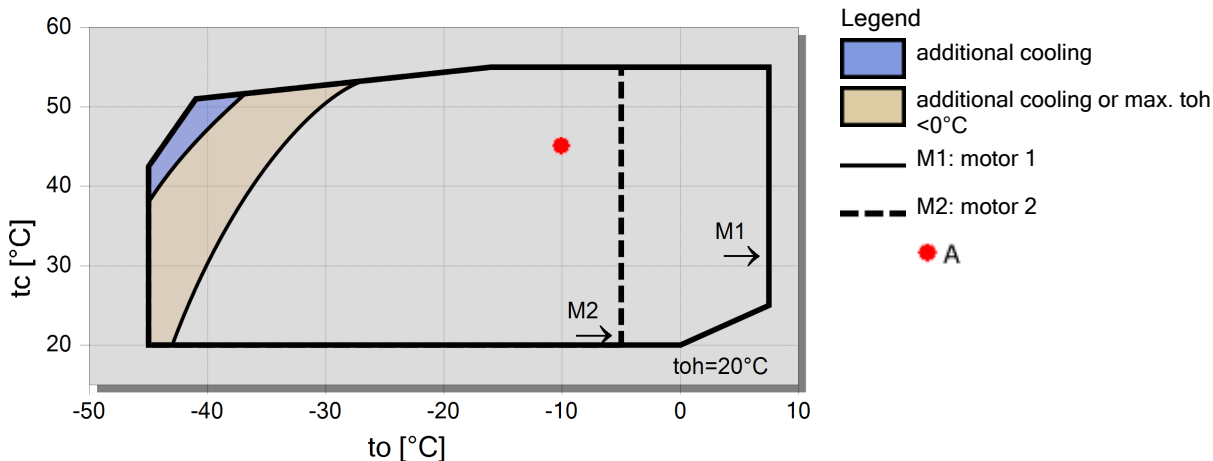
Q [W]	Cooling capacity	COP [ - ]	COP/EER
Q* [W]	Cooling capacity *	COP* [ - ]	COP/EER *
P [kW]	Power input	m [kg/h]	Mass flow
I [A]	Current	Op.	Operating mode
Qc [W]	Condenser Capacity	th [°C]	Discharge gas temp. w/o cooling

tc	to	-5°C	-10°C	-15°C	-20°C	-25°C	-30°C	-35°C	-40°C
30°C	Q [W]	49943	41296	33810	27353	21809	17074	13057	9671
	Q* [W]	49943	41296	33810	27353	21809	17074	13057	9671
	P [kW]	13,31	12,71	11,95	11,04	10,02	8,91	7,73	6,50
	I [A]	23,5	22,6	21,6	20,4	19,08	17,73	16,39	15,14
	Qc [W]	63250	54009	45761	38398	31830	25980	20782	16176
	COP [ - ]	3,75	3,25	2,83	2,48	2,18	1,92	1,69	1,49
	COP* [ - ]	3,75	3,25	2,83	2,48	2,18	1,92	1,69	1,49
	m [kg/h]	1255	1027	834	670	531	414	315	233
	Op.	Standard	Standard	Standard	Standard	Standard	Standard	Standard	Standard
	th [°C]	70,6	77,7	85,3	93,4	102,1	111,6	122,0	133,7
40°C	Q [W]	42285	34863	28421	22852	18061	13962	10479	7540
	Q* [W]	42285	34863	28421	22852	18061	13962	10479	7540
	P [kW]	15,27	14,35	13,27	12,05	10,74	9,34	7,89	6,41
	I [A]	26,3	24,9	23,4	21,7	19,98	18,24	16,57	15,05
	Qc [W]	57560	49212	41688	34906	28797	23302	18369	13952
	COP [ - ]	2,77	2,43	2,14	1,90	1,68	1,50	1,33	1,18
	COP* [ - ]	2,77	2,43	2,14	1,90	1,68	1,50	1,33	1,18
	m [kg/h]	1197	976	788	629	494	379	283	203
	Op.	Standard	Standard	Standard	Standard	Standard	Standard	Standard	Standard
	th [°C]	82,0	89,4	97,3	105,7	114,8	124,6	135,4	0
50°C	Q [W]	34646	28443	23046	18373	14351	10912	7993	5537
	Q* [W]	34646	28443	23046	18373	14351	10912	7993	5537
	P [kW]	17,22	15,96	14,55	13,03	11,41	9,73	8,01	6,27
	I [A]	29,1	27,3	25,2	23,1	20,9	18,72	16,70	14,92
	Qc [W]	51865	44400	37597	31401	25764	20643	16003	11811
	COP [ - ]	2,01	1,78	1,58	1,41	1,26	1,12	1,00	0,88
	COP* [ - ]	2,01	1,78	1,58	1,41	1,26	1,12	1,00	0,88
	m [kg/h]	1136	921	738	583	452	341	249	171,5
	Op.	Standard	Standard	Standard	Standard	Standard	Standard	Standard	Standard
	th [°C]	94,4	102,2	110,5	119,6	129,4	0	0	0

-- No calculation possible (see message in single point selection)

\*According to EN12900 (20°C suction gas temp., 0K liquid subcooling)

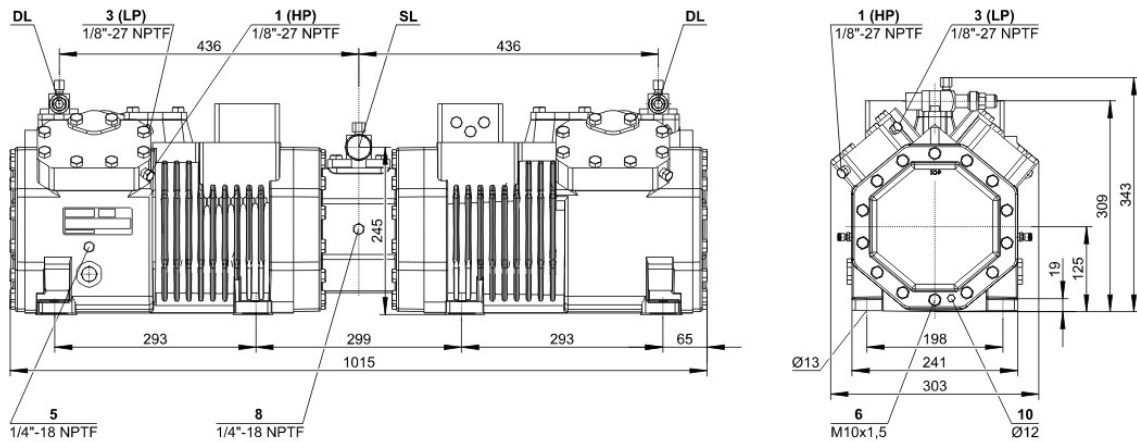
#### Application Limits 100% Octagon





## Technical Data: (44CC-12.2Y)

### Dimensions and Connections



### Technical Data

#### Technical Data

Displacement (1450 RPM 50Hz)	65,0 m <sup>3</sup> /h
Displacement (1750 RPM 60Hz)	78,4 m <sup>3</sup> /h
No. of cylinder x bore x stroke	4+4 x 55 mm x 39,3 mm
Weight	184 kg
Max. pressure (LP/HP)	19 / 28 bar
Connection suction line	35 mm - 1 3/8"
Connection discharge line	2x22 mm - 7/8"
Oil type R134a/R407C/R404A/R507A/R407A/R407F	tc<55°C: BSE32 / tc>55°C: BSE55 (Option)
Oil type R22 (R12/R502)	B5.2 (Standard)

#### Motor data

Motor voltage (more on request)	380-420V Y-3-50Hz
Max operating current	2x15.9 A
Starting current (Rotor locked)	2x62.2 A
Max. Power input	2 x 9,0 kW

#### Extent of delivery (Standard)

Motor protection	SE-B1
Enclosure class	IP65
Vibration dampers	Standard
Oil charge	4,50 dm <sup>3</sup>

#### Available Options

Discharge gas temperature sensor	Option
Start unloading	Option
Capacity control	100-75-50-25% (Option)
Additional fan	Option
Crankcase heater	2 x 0..120 W PTC (Option)
Oil level monitoring	OLC-K1 (Option)

#### Sound measurement

Sound power level (-10°C / 45°C)	75,5 dB(A) @ 50Hz
Sound power level (-35°C / 40°C)	79,0 dB(A) @ 50Hz
Sound pressure level @ 1m (-10°C / 45°C)	67,5 dB(A) @ 50Hz
Sound pressure level @ 1m (-35°C / 40°C)	71,0 dB(A) @ 50Hz