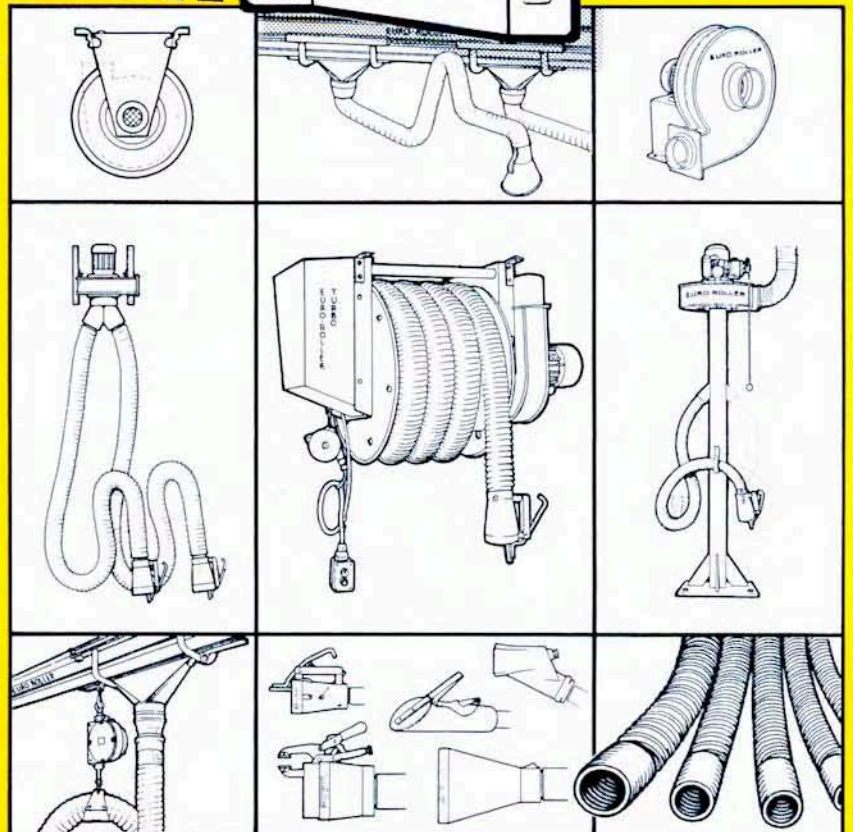
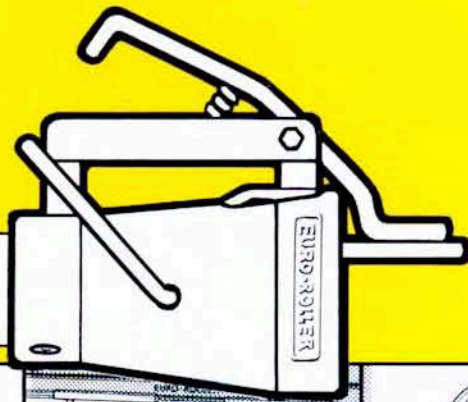
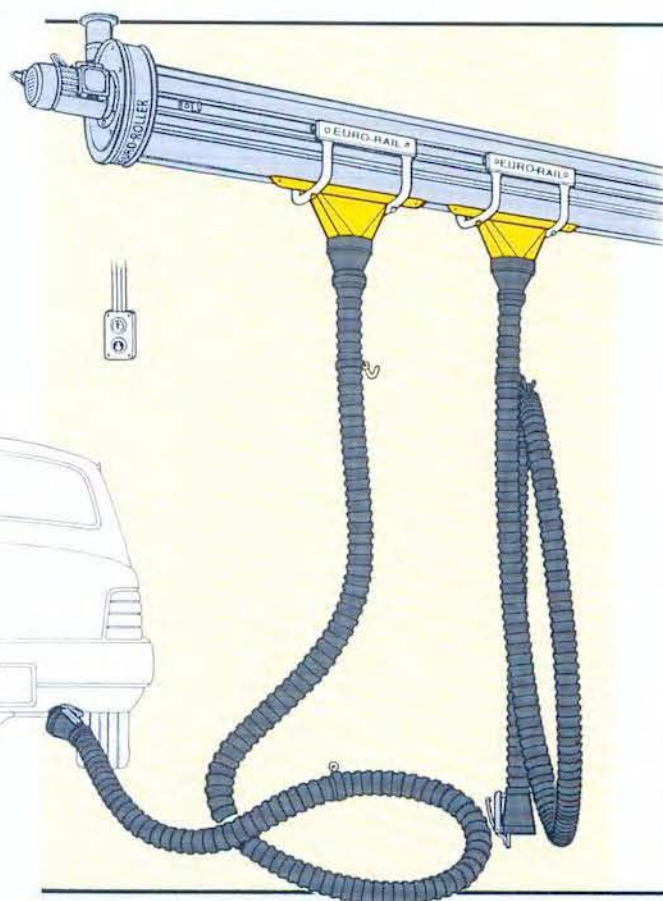


EURO-ROLLER®

GUARANTEE FOR CLEAN AIR



EURO-RAIL Aluminium exhaust extraction channel for cars



Part No. Type
8500500675 POP-S-6-75 (unit)

- Comprising :
- 6 metres Euro-Rail exhaust extraction channel,
 - 1 fan, 240v cap. 900m³/hr,
 - 1 roof-outlet set,
 - 1 push-button switch for wall or column mounting,
 - 1 set of mounting fixings,
 - 1 hose carriage with four plastic wheels,
 - 6 metre 75mm dia hose,
 - 1 exhaust nozzle with clamp,
 - 1 hose bracket.

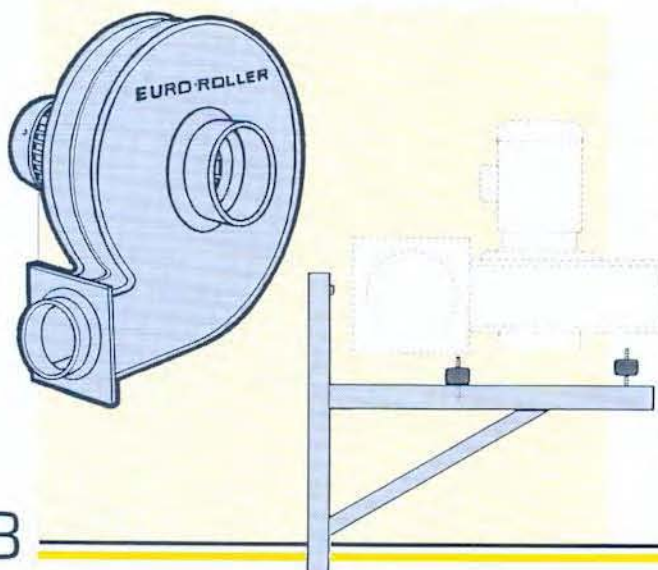
8500507675 POP-S-6 (separate hose carriage)

- 1 hose carriage with four plastic wheels,
- 6 metre 75 mm dia hose,
- 1 exhaust nozzle with clamp,
- 1 hose bracket.

8500507075 Hose carriage S-100 without hose,
or
8500507100 exhaust nozzle and bracket.

EURO-ROLLER Exhaust extraction fan

| Part No. | Type middle pressure | Capacity p/hr | Motor capacity 2940 rpm | Max. pressure WK | Voltage | Sound level 5M |
|------------|----------------------------|----------------------|-------------------------------|------------------------|---------------------|----------------------|
| 7000601055 | VRS 10 M | 900 m ³ | 0.55 Kw | 160 | 2.3 - 1.32 240/415 | 70 dBA |
| 7000601275 | VRS 12 M | 1.200 m ³ | 0.75 Kw | 170 | 2.85 - 1.65 240/415 | 70 dBA |
| 7000601411 | VRS 14 M | 2.000 m ³ | 1.1 Kw | 320 | 4.2 - 2.4 240/415 | 76 dBA |
| 7000601822 | VRS 18 M | 3.000 m ³ | 2.2 Kw | 320 | 7.6 - 4.4 240/415 | 80 dBA |
| 7000602140 | VRS 21 M | 4.200 m ³ | 4.0 Kw | 400 | 7.6 - 4.4 400/690 | 86 dBA |
| 7000605075 | VRS 50 M | 5.000 m ³ | 7.5 Kw | 480 | 10 - 8.0 400/690 | 85 dBA |



Part No.

65MSVRS101 Fan motorswitch with safeguard.

65MSVRS122 Fan motorswitch with safeguard.

65MSVRS143 Fan motorswitch with safeguard.

65MSVRS184 Fan motorswitch with safeguard.

65STVRS206 Triangle switch.

Fan mountingframe with vibrationdimmer for;

70VMF10101 Fan VRS 10

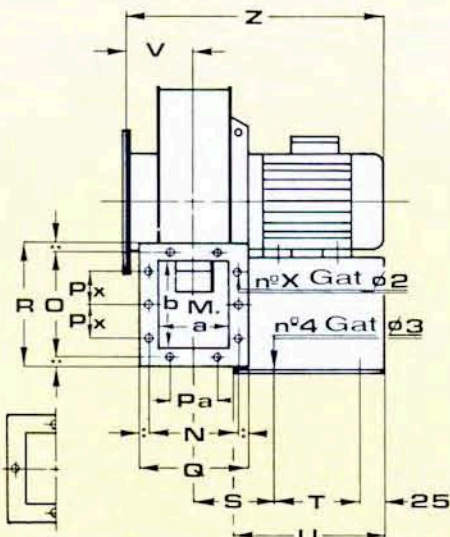
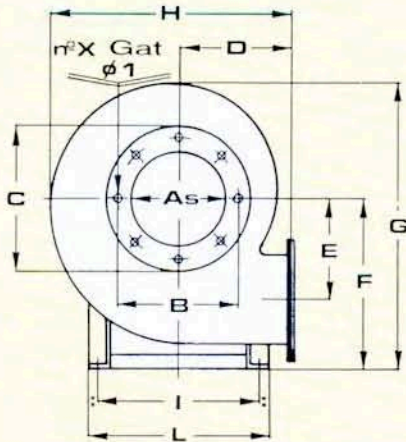
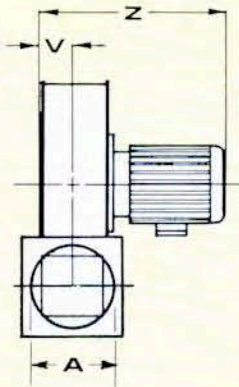
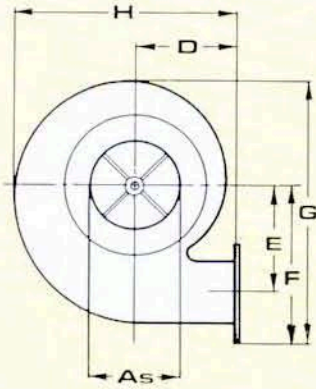
70VMF12122 Fan VRS 12

70VMF14143 Fan VRS 14

70VMF18184 Fan VRS 18

70VMF21215 Fan VRS 21

Subject to change.



| Part | VRS 10 | VRS 12 | VRS 14 | VRS 18 |
|------|--------|--------|--------|--------|
| A | 100 | 125 | 150 | 180 |
| As | 125 | 150 | 180 | 200 |
| D | 185 | 205 | 240 | 272 |
| E | 155 | 192 | 226 | 260 |
| F | | 290 | 335 | 380 |
| G | 402 | 505 | 580 | 660 |
| H | 375 | 440 | 515 | 585 |
| Z | | 393 | 465 | 554 |

| Part | VRS 20 | VRS 19 |
|--------|--------|--------|
| A | 225 | 350 |
| As | 250 | 350 |
| B | 290 | 382 |
| XO 1 | 8 / 9 | M 8 |
| C | 316 | 412 |
| D | 340 | 235 |
| E | 329 | 260 |
| F | 470 | 445 |
| G | 820 | 735 |
| H | 730 | 580 |
| I | 400 | 290 |
| L | 440 | 320 |
| M.a. | 156 | 280 |
| M.b. | 190 | 280 |
| M | 192 | 318 |
| O | 226 | 318 |
| Pa | 90 | 90 |
| Px | 2 x 90 | 2 x 90 |
| X/O 2 | 10 / 9 | 12 / 9 |
| Q | 222 | 345 |
| R | 256 | 345 |
| S | 139 | 201 |
| T | 300 | 225 |
| Ø 3 | 9 | 9 |
| U | 380 | 305 |
| V | 120 | 146 |
| Z | 644 | 597 |
| Weight | 110 | 60 |

EURO-ROLLER®
EURO-ROLLER
EURO-ROLLER
EURO-ROLLER
EURO-ROLLER
EURO-ROLLER
EURO-ROLLER
EURO-ROLLER
EURO-ROLLER
EURO-ROLLER
EURO-ROLLER
EURO-ROLLER
EURO-ROLLER



UITLAATGAS - EN LASDAMPAFZUIGING
HOLLANDSE KADE 26 - 1391 JD ABCOUDE
TEL: +31(0)294 - 291 111 - FAX +31(0)294 - 291 112
www.euroroller.nl NEDERLAND