

Industrial air cooler PLK.s

Blast freezer

Designed to order

GEA Heat Exchangers



Goedhart

The visible and invisible quality

1 Coil, The heart of a Heat Exchanger

Robust and reliable, excellent performance through a combination of quality materials, craftmanship and experienced engineering.

Coil configuration and materials:

PLK air coolers are available with all the Goedhart tube configurations and materials:

- Copper tubes / Aluminium fins
- Stainless steel tubes / Aluminium fins
- Stainless steel tubes / Stainless steel tubes
- Steel hot dipped galvanized tubes and fins
- On request Aluminium tubes and fins

2 Construction, durable and clever

Different casing materials are used for a robust construction.

The following casing materials are available:

- galvanized sheet steel
- galvanized sheet steel with a white finishing
- stainless steel
- aluminium

The space between the coil block and the leg keep cold bringing to a minimum.

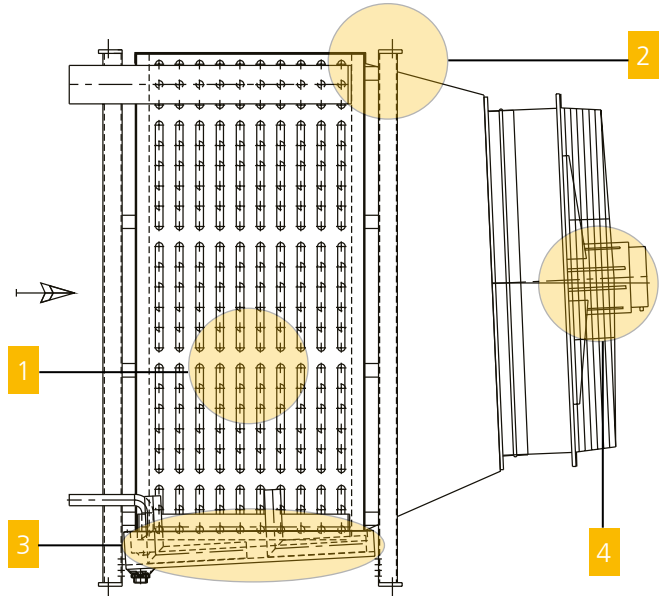
Legs to fix the air cooler on the floor or to the ceiling.

3 Drip tray

An extra wide drip tray to collect all condensation water from the side end plates of the coil.

The aluminium inner tray provided with special profiles for optimal conductivity for a hotgas coil or electrical heating elements.

Options for the drip tray are insulation in the galvanized steel outer tray to prevent condensation at the outside of the drip tray of a hygienic polyester drip tray to prevent condensation and is easy to clean.



4 Fans

Different suppliers of fans give you a wide choice of fan options

Axial flow fans are angled up, which means:
 condensed water will flow back in the drip tray of the air cooler
 less danger of freezing of the impeller
 longer air throw for draw-through air coolers

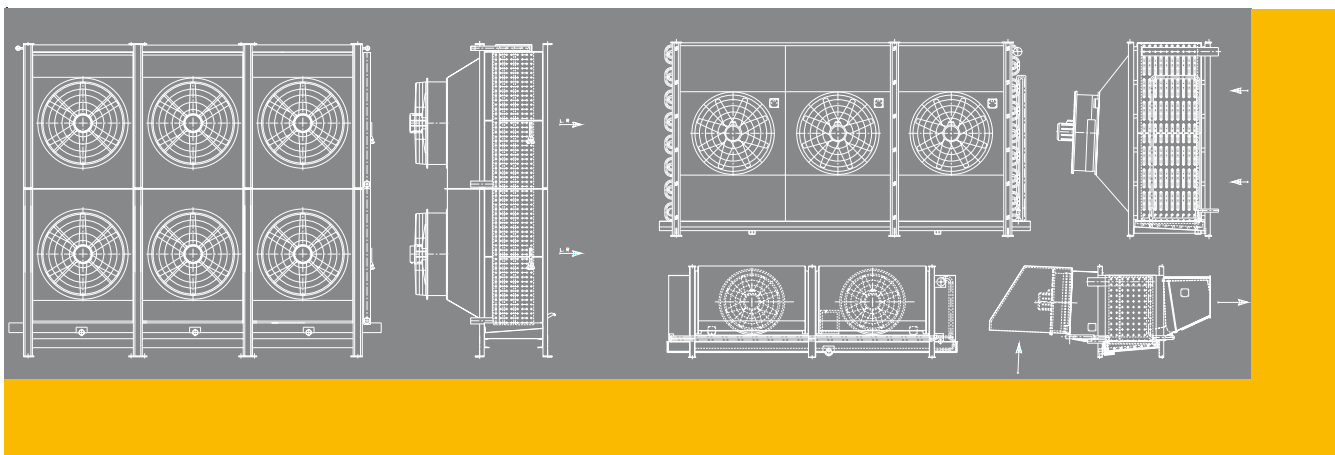
Optional fan heating elements prevent freezing of the impeller in low temperature applications

Applications

The PLK.s air coolers are used in a wide range of industrial applications:

- Blast freezers
- Freezing tunnels
- Holding rooms
- Cold stores
- Processing areas

Examples



PLK.s , industrial customized air coolers





GEA Heat Exchangers

GEA Goedhart B.V.

Nijverheidsweg 6, 4695 RC Sint Maartensdijk
the Netherlands
Phone +31 (0)166 665 665, Fax+31 (0)166 663 698
www.goedhart.nl
info.goedhart.nl@geagroup.com

GEA Heat Exchangers

GEA Goedhart s.r.o.

Kostomlátecká 180, 288 26 Nymburk
Czech Republic
Phone +420 (0)325 819 951, Fax+420 (0)325 519 952
www.goedhart.cz
goedhart.cz@geagroup.com

08.03.2.006.dok - 2010-01 / Subject to modification

All offers, contracts, deliveries and other legal relations from GEA Goedhart B.V. are subject to the latest version of our general sales and delivery conditions as filed at the Chamber of Commerce in Middelburg - The Netherlands

Applicability of the general conditions put forward by any buyer is rejected explicitly by GEA Goedhart B.V.