



Producer: **Copeland**
 Line: **ZR**
 Model: **ZR34K3E-PFJ**
 Cooling capacity [kW]: **3.96**
 Heat rejection [kW]: **6.00**
 Displacement [m³/h]: **8.0**
 Refrigerant: **R22, R134a, R407C**
 Capacity control: **None**
 Power supply: **230V/1Ph/50Hz**

Data

Technical data

Displacement	[m ³ /h]	8.0
Oil charge	[l]	1.24
Oil type		POE RL32-3MAF
Internal free volume	[dm ³]	2.6
Net weight	[kg]	28.50
Gross weight	[kg]	30.00

Electrical data and limits

Power supply		230V/1Ph/50Hz
Maximum continuous current	[A]	17.3
Locked rotor amperage	[A]	76.0
Motor resistance main	[Ω]	0.94
Motor resistance start	[Ω]	2.07
Maximum suction pressure	[bar]	20.0
Maximum discharge pressure	[bar]	29.5
Maximum suction temperature	[°C]	50.0

Dimensions

Suction tube diameter	[inch]	3/4
Discharge tube diameter	[inch]	1/2
Length	[mm]	246
Height	[mm]	400
Width	[mm]	246

Other

Approved refrigerants	R22, R134a, R407C
Allowed oil types	POE RL32-3MAF, POE MOBIL EAL Arctic 22 CC
Capacity control	None
Protection rating	IP21 (IEC34)

Performance

Nominal conditions: refrigerant: R407C, evaporation: -10°C (dew point), condensation: 45°C (dew point), superheating: 10K, subcooling: 0°C

Cooling capacity

		Evaporation temperature [°C]									
		-20	-15	-10	-5	0	5	7	10	12.5	15
Condensation temperature [°C]	30	2.97	3.83	4.83	6.01	7.38	8.97	9.68	10.82	11.84	12.93
	35	2.76	3.59	4.56	5.69	7.00	8.54	9.21	10.31	11.29	12.34
	40	2.55	3.34	4.26	5.34	6.60	8.07	8.72	9.76	10.71	11.72
	45		3.08	3.96	4.98	6.18	7.57	8.19	9.19	10.09	11.05
	50			3.63	4.60	5.72	7.04	7.63	8.57	9.43	10.35
	55				4.19	5.25	6.48	7.03	7.93	8.73	9.60
	60					4.74	5.89	6.41	7.24	8.00	8.82
	65					4.21	5.27	5.75	6.52	7.23	7.99
	67						5.02	5.48	6.23	6.91	7.65

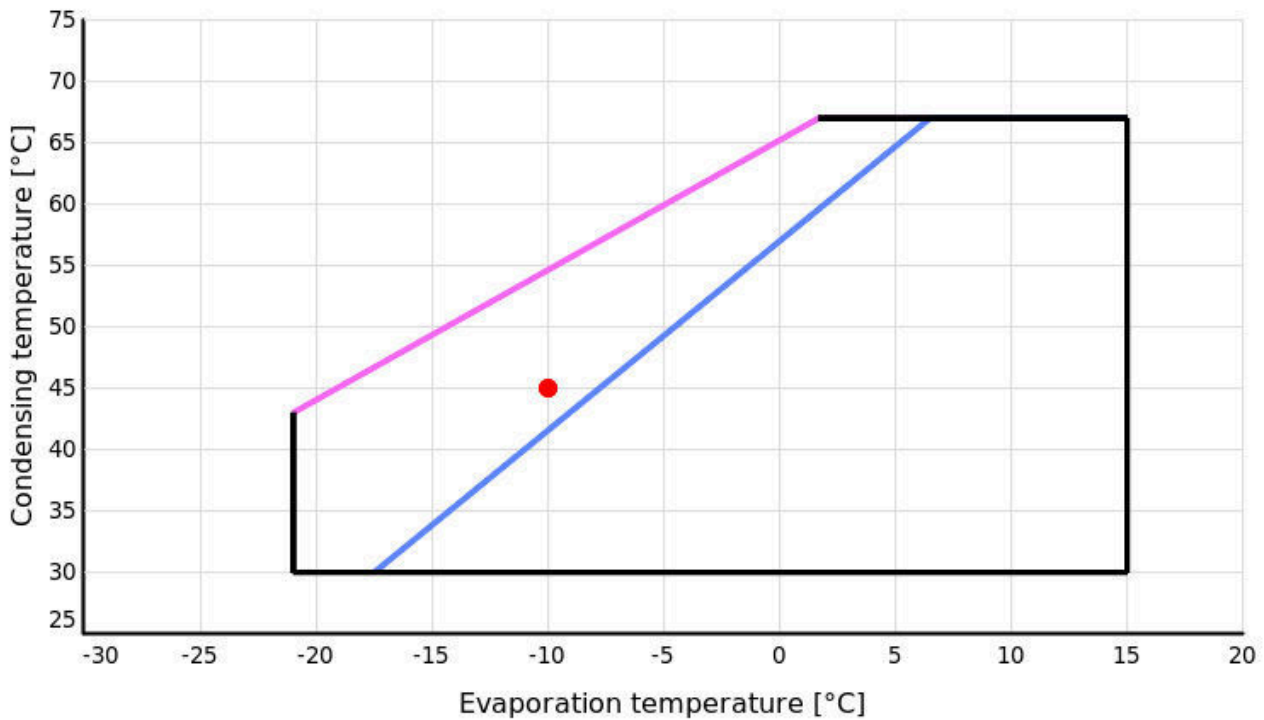
Heat rejection

		Evaporation temperature [°C]									
		-20	-15	-10	-5	0	5	7	10	12.5	15
Condensation temperature [°C]	30	4.43	5.27	6.26	7.43	8.78	10.34	11.03	12.14	13.13	14.19
	35	4.40	5.21	6.17	7.29	8.59	10.10	10.76	11.83	12.78	13.80
	40	4.38	5.16	6.08	7.15	8.39	9.83	10.47	11.48	12.40	13.37
	45		5.13	6.00	7.02	8.19	9.56	10.16	11.13	12.00	12.93
	50			5.95	6.90	8.01	9.29	9.86	10.77	11.59	12.47
	55				6.81	7.84	9.04	9.57	10.42	11.19	12.01
	60					7.71	8.81	9.30	10.09	10.81	11.58
	65					7.63	8.63	9.08	9.80	10.46	11.16
	67						8.57	9.00	9.69	10.33	11.01

Power consumption

		Evaporation temperature [°C]									
		-20	-15	-10	-5	0	5	7	10	12.5	15
Condensation temperature [°C]	30	1.53	1.52	1.51	1.49	1.47	1.44	1.43	1.39	1.36	1.32
	35	1.72	1.71	1.70	1.69	1.67	1.64	1.63	1.60	1.57	1.53
	40	1.93	1.92	1.91	1.90	1.89	1.86	1.84	1.81	1.78	1.74
	45		2.16	2.15	2.14	2.12	2.09	2.08	2.05	2.01	1.97
	50			2.44	2.42	2.40	2.37	2.35	2.31	2.28	2.24
	55				2.76	2.73	2.69	2.67	2.63	2.59	2.54
	60					3.13	3.07	3.05	3.00	2.96	2.91
	65					3.60	3.53	3.50	3.45	3.40	3.34
	67						3.74	3.71	3.65	3.60	3.54

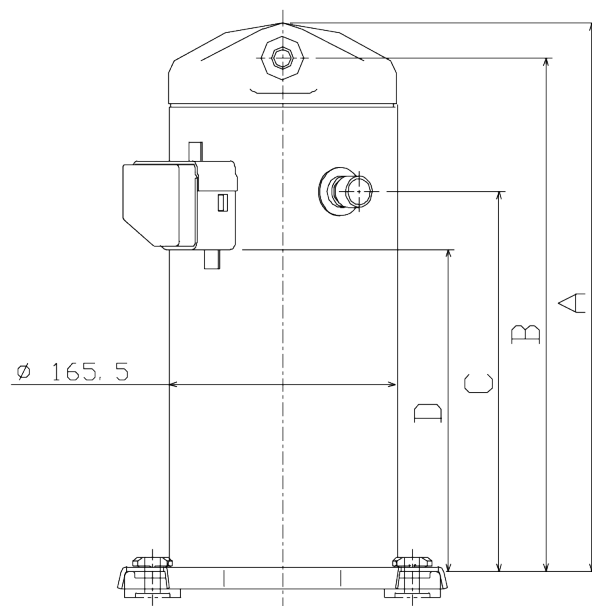
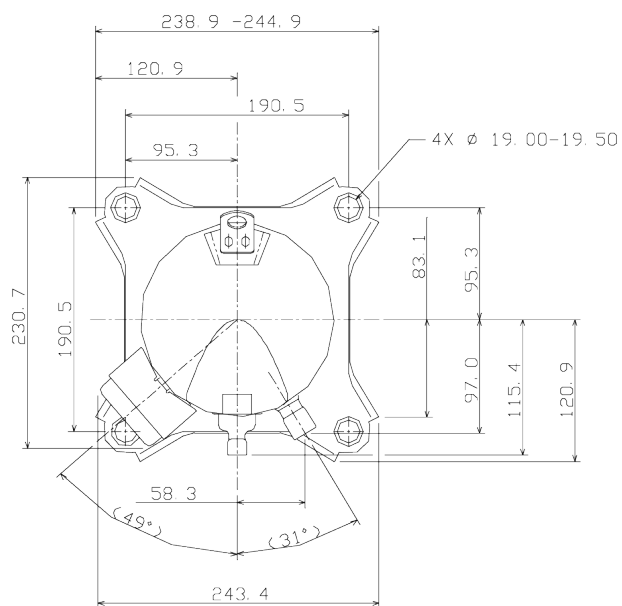
Application range



Legend

- Suction gas superheating: 10 K, ASERCOM certified
- Suction gas temperature: 25°C

Dimensions



Dimensions

Dimension A	[mm]	386,5
Dimension B	[mm]	361
Dimension C	[mm]	264,5
Dimension D	[mm]	222,3