



# 5F AND 5H COMPRESSOR DATA AND ACCESSORY GUIDE



REPLACEMENT COMPONENTS DIVISION • CARRIER CORPORATION

# 5F & 5H COMPRESSOR DATA AND ACCESSORY GUIDE



## TABLE OF CONTENTS

	page		page
<b>5F/H Compressor Application &amp; Dimensional Data</b> .....	1	<b>Felt Filter Package</b> .....	10
<b>5F/H Compressor Ratings:</b>		<b>Vibration Isolators</b> .....	10
R-12, 15° Subcooling, 65° Return Gas Temp., 1750 RPM .....	2, 3	<b>Dowel Pin</b> .....	10
R-22, 15° Subcooling, 15° Superheat, 1750 RPM .....	4, 5	<b>Drill &amp; Reamer Kit</b> .....	10
R-502, 15° Subcooling, 75° Return Gas Temp., 1750 RPM .....	6, 7	<b>Compressor to Drive Motor Combinations</b> .....	11
<b>Service Valves</b> .....	8	<b>Drip Proof Motors</b> .....	11
<b>Manifolds</b> .....	8	<b>Totally Enclosed, Fan Cooled Motors</b> .....	11
<b>Mufflers</b> .....	8	<b>Direct Drive Unit Bases</b> .....	12
<b>Relief Valve Kits</b> .....	8	<b>Belt Drive Unit Bases</b> .....	13
<b>External Unloader Conversion Kit</b> .....	8	<b>Flywheel, Pulley &amp; Belts</b> .....	14
<b>Crankcase Heaters</b> .....	9	<b>Flexible Steel Couplings</b> .....	15
<b>Crankcase Heater Relays</b> .....	9	<b>Motor Fastening Kits:</b>	
<b>Lube Oil Control</b> .....	9	For Direct Drive Applications .....	15
<b>Oil Cooler Package</b> .....	9	For Belt Drive Applications .....	16
<b>Oil Filter Package</b> .....	9	<b>Control Panels</b> .....	16, 17
<b>Capacity Control Package</b> .....	10	<b>Compressor Cross Reference Data</b> .....	18-25
<b>Water Cooled Head Package</b> .....	10		

## 5F & 5H COMPRESSOR MODELS AVAILABLE

### 5F COMPRESSOR MODELS

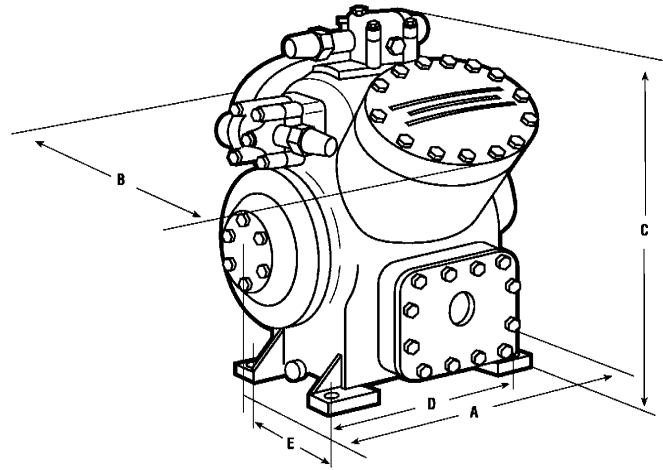
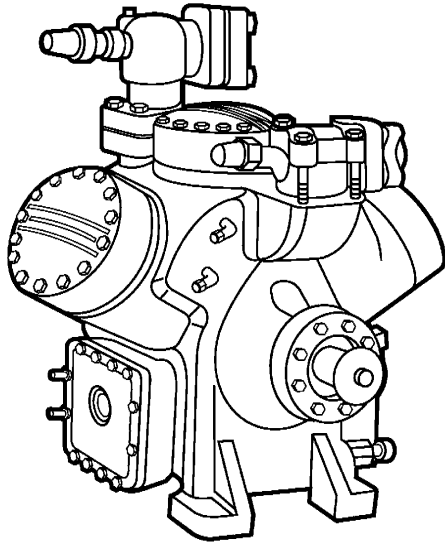
COMPRESSOR RCD P/N*	NO. OF UNLOADERS	NOTE
5F20-S674	0	NEW MANUFACTURED
5F20-A684	1	REMANUFACTURED
5F20-S684	1	NEW MANUFACTURED
5F30-A189	0	REMANUFACTURED
5F30-S644	0	NEW MANUFACTURED
5F30-A219	2	REMANUFACTURED
5F30-S664	2	NEW MANUFACTURED
5F40-A219	3	REMANUFACTURED
5F40-S219	3	NEW MANUFACTURED
5F60-A219	4	REMANUFACTURED
5F60-S219	4	NEW MANUFACTURED

### 5H COMPRESSOR MODELS

COMPRESSOR RCD P/N*	NO. OF UNLOADERS	NOTE
5H40-(+)219	3	ALL 5H COMPRESSORS ARE AVAILABLE IN BOTH REMANUFACTURED & NEW MANUFACTURED MODELS
5H46-(+)219	3	
5H60-(+)219	4	
5H66-(+)219	4	
5H80-(+)219	6	
5H86-(+)219	6	
5H120-(+)219	8	
5H126-(+)219	8	

(+) = May be either "A" (Remanufactured) or "S" (New Manufactured).

\* "A" After the dash designates "REMANUFACTURED"  
 "S" After the dash designates "NEW MANUFACTURED"



## APPLICATION DATA

MODEL NO.	NOMINAL HORSEPOWER			NO. OF CYL.	BORE (IN.)	STROKE (IN.)	CFM @ 1075 RPM	RATINGS IN TONS *			MINIMUM SPEED FOR UNLOADER OPERATION	OIL CHG. (PINTS)	SUCT. LINE ODF (IN.)	DISCH. LINE ODF (IN.)	COMP. WT. (LB.)
	R-12	R-22	R-502					R-12	R-22	R-502					
5F20	5	10	10	2	2-1/2	2	19.8	5.18	8.46	8.85	600	5	1-1/8	7/8	175
5F30	7-1/2	15	15	3	2-1/2	2	29.8	7.76	12.7	13.2	700	5-1/2	1-5/8	1-3/8	215
5F40	10	20	20	4	2-1/2	2	39.8	10.5	16.8	17.7	800	12	1-5/8	1-3/8	355
5F60	15	25	25	6	2-1/2	2	59.6	15.7	25.3	26.5	900	13	2-1/8	1-5/8	400
5H40	25	40	40	4	3-1/4	2-3/4	92.4	24.7	39.6	40.5	800	18	2-5/8	2-1/8	610
5H46	40	60	60	4	3-1/4	3-7/16	115.5	30.6	49.1	50.2	800	18	2-5/8	2-1/8	610
5H60	40	60	60	6	3-1/4	2-3/4	138.4	37.0	59.4	60.9	900	21	3-1/8	3-1/8	795
5H66	50	75	75	6	3-1/4	3-7/16	173.0	45.9	73.8	75.4	900	21	3-1/8	3-1/8	795
5H80	50	75	75	8	3-1/4	2-3/4	184.7	49.4	79.2	81.2	1100	41	3-1/8	3-1/8	1115
5H86	75	100	100	8	3-1/4	3-7/16	231.0	61.1	98.2	100.7	1100	41	3-1/8	3-1/8	1115
5H120	75	125	125	12	3-1/4	2-3/4	276.0	74.0	119.0	122.0	900	61	4-1/8	4-1/8	1580
5H126	100	150	150	12	3-1/4	3-7/16	346.0	91.8	145.0	151.2	900	61	4-1/8	4-1/8	1580

NOTE: For Typical Compressor to Drive Motor Combinations see page 11.

### NOTES:

- \* 40°F saturated suction, 105°F saturated discharge, 15°F superheat, 0°F subcooling
- 45 PSIG net oil pressure (oil pressure PSIG—suction pressure PSIG)
- ODF = Outside Diameter Female (in.)
- Maximum RPM = 1750
- Minimum RPM for lubrication = 400 RPM

## COMPRESSOR DIMENSIONS

COMPRESSOR		5F				5H				5H			
		20	30	40	60	40	60	80	120	46	66	86	126
DIMENSIONS (in.)	A	15-7/8	18	21-1/2	23-1/2	30-1/2	31-1/2	43-7/8	47	30-1/2	31-1/2	43-7/8	47
	B	18-3/4	20-7/8	19	21	24-1/2	27-1/4	24-1/2	27-3/8	24-1/2	27-1/4	24-1/2	27-3/8
	C	18-3/4	18	20-1/8	24-1/2	29	29-7/8	32	34-7/8	29	29-7/8	32	34-7/8
Between Mgt. hole $\varnothing$	D	5-3/4	5-3/4	12	13-7/16	15-1/2	17	29	29	15-1/2	17	29	29
	E	10	10	8	8	11	11	11	11	11	11	11	11

# 5F & 5H COMPRESSOR DATA AND ACCESSORY GUIDE

## R-12 COMPRESSOR RATINGS For 5F & 5H Compressors

15° Subcooling  
65° Return Gas Temperature  
1750 RPM

For R-134a Ratings See Brochure Lit. No.: 570-967

### LEGEND

- Bhp. - Brake Horsepower
- Cap. - Capacity (Tons)
- SDT - Saturated Discharge Temperature (°F)
- SST - Saturated Suction Temperature (°F)

COMPRESSOR SST	5F20		5F30		5F40		5F60		5H40		5H46		5H60		5H66		5H80		5H86		5H120		5H126	
	Cap.	Bhp	Cap.	Bhp	Cap.	Bhp	Cap.	Bhp	Cap.	Bhp	Cap.	Bhp	Cap.	Bhp	Cap.	Bhp	Cap.	Bhp	Cap.	Bhp	Cap.	Bhp	Cap.	Bhp
80	0.6	1.7	1.0	2.7	1.3	3.4	2.0	5.3	3.2	9.1	4.0	11.9	4.9	13.1	6.1	17.1	6.6	17.5	8.2	23.8	9.8	25.8	12.2	33.4
90	0.5	1.6	0.8	2.6	1.1	3.3	1.6	5.1	2.7	8.8	3.4	11.5	4.1	12.7	5.2	16.6	5.6	17.0	7.0	22.1	8.3	24.9	10.3	32.4
100	0.4	1.5	0.6	2.4	0.9	3.1	1.3	4.7	2.2	8.4	3.8	11.0	4.1	12.1	4.3	15.8	4.6	16.2	5.8	21.1	8.9	23.7	8.6	30.8
80	1.0	2.2	1.5	3.4	2.0	4.2	3.0	6.6	4.9	11.1	6.0	14.4	7.3	16.0	9.1	20.8	9.8	21.3	12.2	27.7	14.7	31.5	18.3	40.9
90	0.8	2.2	1.3	3.3	1.8	4.3	2.6	6.6	4.3	11.0	5.3	14.3	6.4	15.9	8.0	20.7	8.8	21.1	10.8	27.5	12.9	31.3	16.0	40.6
100	0.7	2.1	1.1	3.2	1.5	4.2	2.2	6.4	3.7	10.7	4.6	13.9	5.6	15.5	8.9	20.3	7.8	20.7	9.3	27.0	11.2	30.6	13.9	39.7
105	0.6	2.1	1.0	3.2	1.4	4.2	2.0	6.3	3.4	10.5	4.2	13.7	5.1	15.3	6.4	19.9	6.4	20.4	8.6	26.5	10.3	30.1	12.8	39.1
110	0.9	2.7	1.5	4.0	2.0	5.3	2.9	8.0	4.8	12.9	6.0	16.8	7.3	18.9	9.0	24.7	9.7	25.2	12.1	32.8	14.6	37.3	18.1	48.5
120	0.8	2.6	1.2	3.9	1.7	5.2	2.5	7.8	4.1	12.6	5.1	16.4	6.3	18.4	7.8	24.1	8.4	24.6	10.5	32.0	12.6	36.3	15.6	47.3
80	1.4	2.6	2.2	4.0	2.9	5.1	4.3	8.0	6.9	13.0	8.6	16.9	10.4	18.9	13.0	24.6	13.9	25.2	17.3	32.7	20.9	37.3	25.9	48.4
90	1.3	2.7	1.9	4.1	2.6	5.2	3.8	8.1	6.2	13.1	7.7	17.1	9.4	19.2	11.6	24.9	12.5	25.4	15.5	33.1	18.7	37.8	23.3	49.0
100	1.1	2.7	1.7	4.1	2.3	5.3	3.4	8.1	5.5	13.1	6.8	17.1	8.3	19.2	10.6	24.9	11.1	25.4	13.8	33.1	16.6	37.7	20.6	49.0
105	1.0	2.7	1.6	4.1	2.1	5.3	3.1	8.1	5.1	13.0	6.4	17.0	8.3	19.1	9.7	24.8	10.4	25.3	13.0	33.0	15.6	37.6	19.3	48.8
110	0.9	2.7	1.5	4.0	2.0	5.3	2.9	8.0	4.8	12.9	6.0	16.8	7.3	18.9	9.0	24.7	9.7	25.2	12.1	32.8	14.6	37.3	18.1	48.5
120	0.8	2.6	1.2	3.9	1.7	5.2	2.5	7.8	4.1	12.6	5.1	16.4	6.3	18.4	7.8	24.1	8.4	24.6	10.5	32.0	12.6	36.3	15.6	47.3
80	2.0	3.1	3.0	4.6	3.9	5.9	5.9	9.2	9.5	14.9	11.7	19.3	14.2	21.7	17.7	28.3	19.0	28.9	23.6	37.6	28.5	43.0	35.4	55.7
90	1.8	3.2	2.7	4.8	3.6	6.2	5.4	9.5	8.6	15.3	10.7	19.9	12.9	22.4	16.1	29.1	17.3	29.7	21.5	38.7	25.9	44.2	32.2	57.4
100	1.6	3.3	2.4	4.9	3.2	6.4	4.8	9.8	7.8	15.5	9.6	20.2	11.7	22.8	14.5	29.7	15.6	30.3	19.4	39.4	23.4	45.0	29.0	58.5
105	1.5	3.3	2.3	5.0	3.0	6.5	4.5	9.8	7.3	15.6	9.1	20.3	11.0	22.9	13.7	29.8	14.8	30.4	18.4	39.6	22.1	45.2	27.5	58.8
110	1.4	3.3	2.1	5.0	2.8	6.5	4.3	9.9	6.9	15.6	8.6	20.3	10.4	23.0	13.0	29.9	13.9	30.5	17.3	39.7	20.9	45.3	25.9	58.9
120	1.2	3.3	1.9	5.0	2.5	6.6	3.7	9.8	6.1	15.5	7.6	20.2	9.2	22.9	11.5	29.8	12.3	30.4	15.4	39.6	18.5	45.1	22.9	58.7
130	1.0	3.2	1.6	4.9	2.2	6.6	3.2	9.7	5.3	15.3	6.6	19.9	8.0	22.5	10.0	29.4	10.8	30.0	13.4	39.0	16.1	44.4	20.0	57.9
80	2.6	3.4	4.0	5.2	5.2	7.2	7.9	10.3	12.6	16.6	15.5	21.6	18.8	24.3	23.4	31.6	25.1	32.3	31.2	42.0	37.7	48.1	46.8	62.4
90	2.4	3.6	3.6	5.4	4.8	7.0	7.2	10.9	11.6	16.3	14.3	22.5	17.3	25.5	21.5	33.1	23.1	35.0	28.7	44.5	34.6	50.4	43.0	65.4
100	2.2	3.8	3.3	5.7	4.4	7.4	6.6	11.3	10.5	17.9	13.0	23.3	15.8	26.4	19.6	34.3	21.1	35.0	26.2	45.0	31.6	52.1	39.2	67.7
105	2.1	3.9	3.1	5.8	4.1	7.6	6.2	11.5	10.0	18.1	12.4	23.6	15.1	26.7	18.7	34.8	20.1	35.8	25.0	46.1	30.1	52.8	37.4	68.6
110	1.9	3.9	3.0	5.9	3.9	7.7	5.9	11.7	9.5	18.3	11.8	23.8	14.3	27.0	17.8	35.1	19.1	35.8	23.7	46.6	28.7	53.4	35.6	69.4
120	1.7	4.0	2.6	6.0	3.5	7.9	5.3	11.9	8.5	18.5	10.6	24.1	12.9	27.4	16.0	35.6	17.2	36.3	21.4	47.3	34.1	54.1	31.9	70.3
130	1.5	4.0	2.3	6.0	3.1	8.1	4.7	12.0	7.6	18.6	9.4	24.1	11.4	27.5	14.2	35.8	15.3	36.5	19.0	47.5	22.9	54.9	28.0	70.6
140	1.3	4.0	2.0	6.0	2.7	8.1	4.1	11.9	6.6	18.4	8.3	24.0	10.0	27.3	12.5	35.6	13.5	36.2	16.8	47.2	20.1	53.9	25.0	70.2
145	1.2	4.0	1.9	5.9	2.5	8.1	3.8	11.8	6.2	18.3	7.7	23.8	9.4	27.1	11.7	35.3	12.6	36.0	15.7	46.9	18.8	53.5	23.3	69.7
80	3.4	3.7	5.1	6.6	6.8	7.1	10.3	11.1	16.3	18.0	20.1	23.5	24.4	26.5	30.2	34.5	32.5	35.3	40.3	45.8	48.8	52.5	60.5	68.1
90	3.1	4.0	4.8	6.1	6.3	7.8	9.5	12.0	15.1	19.2	18.6	26.9	22.6	28.2	28.0	36.7	30.1	37.5	37.3	48.8	45.1	55.9	56.0	78.5
100	2.9	4.3	4.4	6.4	5.8	8.3	8.7	12.8	13.9	20.1	17.1	26.2	20.8	29.7	25.8	38.6	27.7	39.4	34.4	51.3	41.6	58.8	51.6	76.3
105	2.7	4.4	4.2	6.6	5.5	8.6	8.3	13.1	13.3	20.5	16.4	26.7	19.9	30.3	24.7	39.4	26.5	40.3	32.9	52.4	39.8	60.0	49.4	78.0
110	2.6	4.5	4.0	6.8	5.3	8.8	7.9	13.4	12.7	20.9	15.7	27.2	19.0	30.9	23.6	40.2	25.3	41.0	31.5	53.3	38.0	61.1	47.2	79.4
120	2.4	4.7	3.6	7.0	4.8	9.2	7.1	13.9	11.5	21.5	14.2	27.9	17.3	31.8	21.4	41.4	23.0	42.2	28.6	54.9	34.6	62.9	42.9	81.8
130	2.1	4.8	3.2	7.2	4.3	9.5	6.4	14.2	10.4	21.9	12.8	28.4	15.6	32.4	19.3	42.4	20.8	43.0	25.8	55.9	31.2	64.1	38.7	83.4
140	1.9	4.9	2.8	7.3	3.8	9.7	5.7	14.4	9.2	22.0	11.4	28.7	13.9	32.7	17.3	42.6	18.6	43.4	23.1	56.5	27.9	64.7	34.6	84.2
145	1.7	4.9	2.7	7.3	3.6	9.8	5.3	14.4	8.7	22.1	10.8	28.7	13.1	32.8	16.3	42.7	17.5	43.5	21.8	56.6	26.2	64.8	32.6	84.4
80	4.3	3.9	6.6	5.9	8.7	7.5	13.1	11.6	20.7	19.1	25.5	24.9	30.9	28.1	38.3	36.6	41.2	37.5	51.1	48.7	61.8	55.8	76.7	72.3
90	4.0	4.3	6.1	6.5	8.1	8.3	12.1	12.8	19.3	20.7	23.7	26.9	28.8	30.5	35.7	39.7	38.4	40.6	47.6	52.8	57.6	60.5	71.5	78.5
100	3.7	4.7	5.6	7.0	7.5	9.1	11.2	13.9	17.9	22.1	22.0	28.7	26.7	32.7	33.1	42.5	35.6	43.4	44.2	56.4	53.4	64.7	66.3	84.0
105	3.6	4.8	5.4	7.3	7.2	9.4	10.8	14.4	17.2	22.7	21.1	29.5	25.6	33.6	31.8	44.8	34.2	44.6	42.4	58.0	51.3	66.6	63.7	86.4
110	3.4	5.0	5.2	7.5	6.9	9.8	10.3	14.9	16.5	23.3	20.3	30.3	24.6	34.5	30.5	44.8	32.8	45.8	40.7	59.5	49.3	68.3	61.1	88.7
120	3.1	5.3	4.7	7.9	6.3	10.4	9.4	15.7	15.1	24.3	18.6	31.6	22.6	36.0	28.0	46.8	30.1	47.8	37.4	62.1	45.2	71.3	56.0	92.7
130	2.8	5.5	4.3	8.2	5.7	10.9	8.5	16.4	13.7	25.1	16.9	32.6	20.5	37.2	25.5	48.4	27.4	49.4	34.0	64.2	41.1	73.7	51.0	95.8
140	2.5	5.7	3.8	8.5	5.1	11																		



COMPRESSOR SST	5F20		5F30		5F40		5F60		5H40		5H46		5H60		5H66		5H80		5H86		5H120		5H126		
	Cap.	Bhp	Cap.	Bhp	Cap.	Bhp	Cap.	Bhp	Cap.	Bhp	Cap.	Bhp	Cap.	Bhp	Cap.	Bhp	Cap.	Bhp	Cap.	Bhp	Cap.	Bhp	Cap.	Bhp	
40	80	6.7	3.9	10.1	5.9	7.7	20.3	11.4	31.9	19.7	39.2	25.6	47.5	29.0	58.9	37.8	38.6	63.3	38.6	78.5	50.3	95.1	57.4	117.9	74.7
	90	6.3	4.5	9.5	8.9	19.0	13.4	30.0	22.4	36.9	36.9	29.1	44.6	33.0	55.4	43.0	43.9	59.5	43.9	73.8	57.2	89.4	65.4	110.9	85.0
	100	5.9	5.1	8.9	7.7	17.7	10.1	28.0	24.8	24.8	34.5	32.2	41.8	36.7	51.9	47.7	48.8	55.7	48.8	69.1	63.5	83.7	72.8	103.8	94.5
	110	5.5	5.4	8.6	8.2	17.1	16.1	27.1	25.9	27.1	33.3	33.7	40.4	38.4	50.1	50.0	53.8	53.8	52.0	53.3	66.8	80.8	76.2	100.3	99.0
	120	5.1	5.7	8.3	8.6	16.5	16.9	26.1	27.0	27.0	32.2	35.1	40.1	40.1	48.4	50.0	52.1	52.0	52.0	53.3	69.3	78.0	79.5	96.8	103.2
42	80	7.0	3.8	10.5	5.9	7.6	21.1	11.2	33.2	19.6	40.8	25.5	49.4	28.9	61.3	37.6	38.5	65.9	38.5	81.8	50.0	99.0	57.1	122.8	74.3
	90	6.6	4.5	9.9	8.8	19.8	13.3	31.2	22.4	38.4	38.4	29.1	46.5	33.1	57.7	43.0	44.0	62.0	44.0	76.9	57.3	93.1	65.5	115.5	85.1
	100	6.2	5.2	9.3	7.8	18.5	10.1	29.2	24.9	24.9	36.0	32.4	43.6	36.9	54.1	48.0	58.1	49.1	72.1	63.9	87.2	73.2	106.2	96.1	
	110	5.9	5.5	8.9	8.2	17.9	16.2	28.3	26.1	28.3	34.8	34.0	42.1	40.5	52.3	50.4	56.2	51.5	69.7	67.0	84.3	76.8	104.6	99.8	
	120	5.7	5.8	8.6	8.6	17.2	17.1	27.3	27.3	27.3	33.6	35.5	40.7	40.5	50.5	52.6	54.2	53.8	54.2	58.0	81.4	80.3	101.0	104.2	105.4
44	80	7.3	3.8	11.0	5.8	7.5	22.0	11.0	34.6	19.5	42.5	25.3	51.4	28.7	63.8	37.4	38.2	68.6	38.2	85.1	49.7	103.0	56.7	127.8	73.9
	90	6.9	4.5	10.3	8.8	19.8	13.2	32.5	22.4	40.8	40.8	29.1	49.4	33.1	60.1	43.0	44.0	66.6	44.0	80.1	57.3	96.9	65.5	120.3	85.2
	100	6.4	5.2	9.6	7.8	19.3	13.3	30.5	25.1	37.5	37.5	32.6	45.4	37.1	56.4	48.3	49.4	60.6	49.4	75.1	64.2	90.9	73.6	112.8	96.6
	110	6.0	5.8	9.0	8.2	18.6	16.2	29.5	26.3	36.3	36.3	34.2	43.9	39.0	54.5	50.7	58.0	51.9	72.6	67.5	87.9	77.4	109.1	105.2	
	120	5.5	6.4	8.3	9.5	17.1	18.9	27.5	27.5	35.0	35.8	35.8	42.4	40.8	52.7	53.1	56.6	54.3	70.2	70.6	84.9	81.0	105.4	105.5	
45	80	7.5	3.8	11.2	5.8	7.5	22.4	10.9	35.3	19.4	43.3	25.2	52.4	28.6	65.1	37.2	38.1	70.0	38.1	86.8	49.5	105.0	56.5	130.3	73.6
	90	7.0	4.5	10.5	8.8	19.7	13.2	33.2	22.4	40.8	40.8	29.1	49.4	33.1	61.3	43.0	44.0	66.9	44.0	81.7	57.2	98.9	65.5	122.7	85.1
	100	6.6	5.2	9.9	7.8	19.3	13.3	31.1	25.1	38.3	38.3	32.6	46.3	37.2	57.5	48.4	49.5	61.8	49.5	76.7	64.4	92.8	73.7	115.1	96.8
	110	6.1	5.8	9.2	8.7	18.2	17.2	29.1	27.6	37.0	37.0	34.3	44.8	39.1	55.6	50.9	59.8	52.1	74.2	71.7	89.7	77.6	111.3	100.8	
	120	5.7	6.4	8.5	9.6	17.0	19.0	27.0	27.0	35.8	35.8	38.9	43.3	44.4	50.0	57.8	57.8	54.5	71.7	70.9	86.7	81.3	100.1	105.6	
46	80	7.6	3.7	11.4	5.7	7.5	22.9	10.8	36.0	19.3	44.2	25.1	53.5	28.5	66.4	37.1	37.9	71.4	37.9	88.5	49.3	107.1	56.3	132.9	73.3
	90	7.2	4.5	10.7	8.8	19.8	13.1	33.9	22.4	41.6	41.6	29.1	50.4	33.0	62.5	43.0	44.0	69.2	44.0	83.4	57.2	100.9	65.4	125.2	85.1
	100	6.7	5.2	10.1	7.8	19.3	13.3	31.8	25.2	39.1	39.1	32.7	47.3	37.3	58.7	48.5	49.6	63.1	49.6	78.2	64.5	94.7	73.9	117.5	96.0
	110	6.2	5.8	9.4	8.7	18.5	17.2	29.7	27.7	37.8	37.8	34.4	45.8	39.2	56.8	51.5	59.0	54.7	73.2	71.2	88.5	81.6	109.8	106.0	
	120	5.8	6.4	8.7	9.6	17.4	19.0	27.6	27.6	36.5	36.5	36.1	44.2	41.1	54.9	53.5	59.0	54.9	73.2	73.2	88.5	81.6	109.8	106.0	
48	80	7.9	3.7	11.9	5.6	7.4	23.8	10.6	37.4	19.1	46.0	24.8	55.6	28.2	69.0	36.7	37.5	74.2	37.5	92.0	48.8	111.4	55.7	138.1	72.6
	90	7.5	4.4	11.2	8.8	19.9	13.0	35.2	22.3	43.3	43.3	29.0	52.4	32.9	65.1	42.9	43.8	69.9	43.8	86.7	57.0	105.0	65.2	130.2	84.8
	100	7.0	5.2	10.5	7.8	19.0	13.2	33.1	25.2	40.7	40.7	32.8	49.2	37.4	61.1	48.6	49.7	65.7	49.7	81.5	64.7	98.6	74.1	122.3	96.3
	110	6.5	5.5	9.7	8.3	18.3	16.3	30.9	26.6	39.4	39.4	34.6	47.7	39.4	59.1	51.3	53.8	52.5	78.8	68.3	95.4	78.2	118.4	101.6	
	120	6.0	6.5	9.1	9.7	17.2	19.2	28.8	30.4	35.0	35.0	39.5	42.9	45.2	53.2	53.8	61.4	55.1	76.2	71.7	88.5	82.2	114.4	106.8	
50	80	8.2	3.6	12.3	5.6	7.3	24.8	10.4	38.9	18.9	47.8	24.5	57.8	27.9	71.7	36.3	37.0	80.0	37.0	95.6	48.2	115.4	55.0	143.6	71.7
	90	7.8	4.4	11.6	8.8	19.5	12.8	36.6	22.2	45.0	45.0	28.8	54.5	32.8	67.7	42.7	43.6	72.7	43.6	90.2	57.0	109.1	64.9	135.4	84.8
	100	7.3	5.2	10.9	7.8	18.5	15.2	34.4	25.3	42.3	42.3	32.8	51.2	37.4	63.6	46.7	46.3	66.3	49.8	84.8	64.8	102.6	74.2	127.3	96.4
	110	6.8	5.9	10.2	8.3	17.1	16.3	33.3	26.7	41.0	41.0	34.7	49.6	39.6	61.6	51.5	66.2	52.7	82.1	68.5	99.3	82.5	123.2	102.0	
	120	6.3	6.5	9.5	9.8	16.6	18.9	30.0	30.7	39.6	39.6	36.5	44.7	45.6	55.5	59.3	64.0	55.4	79.4	72.1	96.1	96.1	119.2	107.4	



# 5F & 5H COMPRESSOR DATA AND ACCESSORY GUIDE

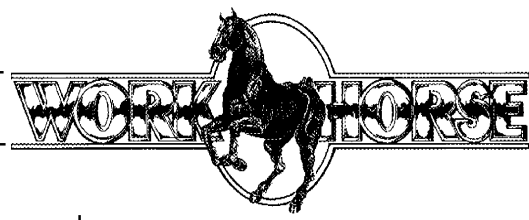
## R-22 COMPRESSOR RATINGS For 5F & 5H Compressors

15° Subcooling  
15° Superheat  
1750 RPM

### LEGEND

Bhp. - Brake Horsepower  
Cap. - Capacity (Tons)  
SDT - Saturated Discharge Temperature (°F)  
SST - Saturated Suction Temperature (°F)

COMPRESSOR SST	5F20		5F30		5F40		5F60		5H40		5H60		5H86		5H80		5H86		5H120		5H126		
	Cap.	Bhp	Cap.	Bhp	Cap.	Bhp	Cap.	Bhp	Cap.	Bhp	Cap.	Bhp	Cap.	Bhp	Cap.	Bhp	Cap.	Bhp	Cap.	Bhp	Cap.	Bhp	
-40	80	1.0	2.6	1.5	4.0	2.1	5.3	3.0	7.9	5.0	12.8	6.2	16.7	6.2	16.7	7.6	18.7	9.4	24.4	10.2	24.9	12.7	32.5
-30	80	1.5	3.4	2.3	5.1	3.1	6.7	4.6	10.0	7.5	15.9	8.3	20.6	8.3	20.6	11.4	23.3	14.1	30.4	15.2	31.0	18.9	40.3
	80	1.3	3.3	2.0	5.0	2.7	6.7	4.1	10.0	6.6	15.7	9.3	20.5	10.0	23.2	10.0	23.2	12.5	30.2	13.5	30.8	16.8	40.1
-20	80	2.2	4.1	3.3	6.1	4.4	8.0	6.6	12.1	10.7	18.9	13.3	24.6	16.1	28.0	20.0	36.4	20.0	36.4	21.5	37.1	26.8	48.3
	90	1.9	4.2	3.0	6.2	4.0	8.3	6.0	12.4	9.7	19.2	14.5	24.9	14.5	28.4	18.1	36.9	18.1	36.9	19.4	37.6	24.1	49.0
	100	1.7	4.2	2.6	6.3	3.5	8.4	5.3	12.4	8.6	19.2	14.5	24.9	13.0	28.4	16.1	37.0	16.1	37.0	17.3	37.7	21.6	49.1
	105	1.6	4.2	2.5	6.2	3.3	8.4	4.9	12.4	8.1	19.1	14.5	24.8	12.2	28.3	15.2	36.9	15.2	36.9	16.3	37.6	24.4	55.9
	110	1.5	4.1	2.3	6.2	3.1	8.4	4.6	12.3	7.5	18.9	9.4	24.6	11.4	28.1	14.2	36.6	14.2	36.6	15.3	37.3	19.1	48.6
	80	3.0	4.7	4.6	7.1	6.1	9.3	9.2	14.1	14.7	21.9	18.1	28.5	22.0	32.4	27.3	42.2	27.3	42.2	32.4	43.0	36.5	56.0
	90	2.7	4.9	4.2	7.4	5.5	9.8	8.3	14.7	13.4	22.6	20.1	33.5	25.0	43.6	38.4	44.4	33.3	44.4	40.2	45.4	33.3	57.8
	100	2.5	5.1	3.8	7.6	5.0	10.1	7.5	15.1	12.1	23.0	18.2	29.9	18.2	34.2	22.6	44.5	22.6	44.5	24.3	45.4	30.2	59.0
	105	2.3	5.1	3.5	7.6	4.7	10.3	7.1	15.2	11.5	23.2	14.2	30.1	17.3	34.4	21.5	44.8	21.5	44.8	23.1	45.6	28.7	59.4
	110	2.2	5.1	3.3	7.7	4.5	10.5	6.7	15.3	10.9	23.2	13.5	30.2	16.4	34.5	20.3	45.0	20.3	45.0	21.9	45.8	27.2	59.6
	120	1.9	5.1	2.9	7.7	4.0	10.5	5.9	15.2	9.6	23.1	14.5	30.1	14.5	34.4	18.1	44.9	18.1	44.9	19.5	45.7	24.2	59.5
	80	4.0	5.3	6.1	7.9	8.1	10.4	12.2	15.8	19.5	24.6	24.1	32.0	29.2	36.5	36.2	47.5	36.2	47.5	38.9	48.5	48.3	63.0
	90	3.7	5.6	5.6	8.4	7.5	11.1	11.2	16.8	18.0	25.8	22.2	33.6	26.9	38.4	33.4	49.9	33.4	49.9	35.9	50.9	44.6	66.2
	100	3.4	5.9	5.1	8.8	6.8	11.7	10.2	17.6	16.4	26.8	20.3	34.8	24.7	39.9	30.6	51.9	30.6	51.9	32.9	52.9	40.9	68.8
0	105	3.2	6.0	4.9	9.0	6.5	12.0	9.7	17.9	15.7	27.2	19.4	35.3	23.5	40.4	29.2	52.6	29.2	52.6	31.4	53.6	39.0	69.8
	110	3.0	6.1	4.6	9.1	6.2	12.2	9.3	18.1	14.9	27.5	18.5	35.7	22.4	40.9	27.9	53.3	27.9	53.3	29.9	54.3	37.2	70.6
	120	2.7	6.3	4.2	9.3	5.5	12.6	8.3	18.5	13.5	27.9	16.7	36.2	20.2	41.6	25.2	54.1	25.2	54.1	27.0	55.1	33.6	71.7
	80	5.3	5.8	8.0	8.6	10.6	11.3	15.9	17.1	25.3	26.9	31.2	35.0	37.8	39.9	46.9	52.0	46.9	52.0	50.4	53.1	62.5	69.0
	90	4.9	6.2	7.4	9.3	9.8	12.3	14.7	18.6	21.7	30.3	26.7	39.4	32.5	45.1	40.3	58.7	40.3	58.7	43.3	59.9	53.7	77.9
	100	4.5	6.7	6.8	10.0	9.0	13.2	13.6	19.8	17.7	30.3	26.7	39.4	32.5	45.1	40.3	58.7	40.3	58.7	43.3	59.9	53.7	77.9
	105	4.3	6.9	6.5	10.2	8.6	13.6	13.0	20.8	18.1	31.6	28.6	40.3	31.1	46.1	38.6	60.0	38.6	60.0	41.5	61.2	51.5	79.6
10	110	4.1	7.0	6.2	10.5	8.3	13.9	12.4	20.8	19.9	31.6	24.6	41.0	29.8	47.1	37.0	61.2	37.0	61.2	39.8	62.4	49.4	81.2
	120	3.7	7.3	5.7	10.9	7.5	14.6	11.3	22.2	18.1	32.5	22.4	42.3	27.2	48.6	33.8	63.2	33.8	63.2	36.3	64.4	45.1	83.8
	130	3.3	7.5	5.1	11.2	6.8	15.1	10.1	22.2	16.4	33.2	20.3	43.1	27.2	48.6	33.8	63.2	33.8	63.2	36.3	64.4	45.1	83.8
	80	6.8	6.0	10.2	9.1	13.6	11.9	20.4	17.9	32.2	28.6	39.7	37.2	48.1	42.5	59.7	55.3	59.7	55.3	64.1	56.5	79.6	73.5
	90	6.3	6.7	9.5	10.0	12.6	13.2	19.0	19.9	30.1	31.2	37.1	40.5	44.9	46.4	55.8	60.3	55.8	60.3	59.9	61.6	74.3	80.1
	100	5.8	7.3	8.8	10.9	11.7	14.4	17.6	21.6	28.0	33.4	34.5	43.4	41.8	49.8	51.9	64.7	51.9	64.7	55.7	66.1	69.1	86.0
	105	5.6	7.6	8.5	11.3	11.2	14.9	16.9	22.4	26.9	34.4	33.2	44.7	40.2	51.3	49.9	66.7	49.9	66.7	53.6	68.1	66.6	88.6
	110	5.4	7.8	8.1	11.6	10.8	15.5	16.2	23.2	25.8	35.3	31.9	45.9	38.7	52.7	48.0	68.6	48.0	68.6	51.5	70.0	64.0	91.0
	120	4.9	8.3	7.4	12.3	9.9	16.4	14.8	24.5	23.8	36.9	29.3	48.0	36.6	55.2	44.1	71.8	44.1	71.8	47.4	73.2	58.9	96.2
	130	4.5	8.7	6.8	12.8	9.0	17.3	13.5	25.6	21.7	38.2	28.8	49.7	32.5	57.2	40.4	74.4	40.4	74.4	43.3	75.8	53.9	98.7
	135	4.2	8.8	6.4	13.1	8.5	17.6	12.8	26.0	20.7	38.7	25.5	50.3	31.0	58.0	38.5	75.5	38.5	75.5	41.3	76.9	51.4	100.0
	80	8.5	6.1	12.8	9.2	17.1	12.1	25.6	18.1	40.4	29.5	49.8	38.4	60.2	43.9	74.8	57.1	74.8	57.1	80.3	58.4	99.7	76.0
	90	7.0	12.0	10.5	13.8	14.0	20.6	20.6	37.9	32.9	46.7	42.7	56.5	56.5	70.2	63.7	85.4	70.2	85.4	84.7	97.2	113.2	140.4
	100	7.4	11.2	11.6	14.9	15.3	22.3	22.3	35.4	35.9	43.6	46.7	67.7	52.9	53.5	65.6	69.6	65.6	69.6	70.5	71.1	87.4	92.5
	105	7.1	10.8	10.4	14.3	16.0	21.5	24.1	34.2	32.9	42.1	48.5	51.0	55.6	63.3	72.4	72.4	72.4	72.4	68.0	73.9	84.4	96.1
30	110	6.9	8.5	10.4	12.6	13.8	16.7	20.7	25.1	32.9	38.6	40.6	50.2	49.2	57.6	61.0	74.9	61.0	74.9	65.6	76.5	81.4	98.5
	120	6.3	9.1	9.6	13.5	12.7	18.0	19.1	26.9	30.5	40.9	37.5	53.2	45.5	61.2	56.5	79.6	56.5	79.6	60.7	81.2	75.3	105.7
	130	5.8	9.7	8.8	14.3	11.6	19.2	17.5	28.6	28.0	43.0	34.5	55.8	41.9	64.3	52.0	83.9	52.0	83.9	63.3	73.2	69.4	110.9
	135	5.5	9.9	8.4	14.7	11.1	19.7	16.7	28.6	26.8	43.8	33.0	57.0	40.1	65.6	49.8	85.4	49.8	85.4	53.5	87.0	66.4	113.2
	80	10.6	6.0	15.9	9.1	21.2	12.0	31.8	17.4	50.1	29.5	61.6	38.3	74.5	43.8	92.5	57.0	92.5	57.0	99.4	58.2	123.2	75.8
	90	9.9	7.0	14.9	10.6	19.9	14.0	29.9	20.6	47.1	33.7	58.0	43.8	70.2	50.2	87.1	65.3	87.1	65.3	93.6	66.7	116.1	96.9
	100	9.3	8.0	14.0	12.0	18.6	15.9	28.0	23.6	44.2	37.6	54.4	48.9	65.9	56.1	71.7	73.0	71.7	73.0	87.8	74.6	109.0	97.0
	105	8.5	13.5	12.7	18.0	16.8	27.0	26.0	42.7	39.4	52.6	51.2	63.7	58.8	79.1	76.5	80.9	76.5	80.9	84.9	78.2	105.4	101.7
40	110	8.7	8.9	13.0	13.3	17.3	17.7	26.1	26.4	41.3	41.1	50.8	53.5	61.6	61.4	79.4	76.4	76.4	76.4	82.1	81.7	101.8	106.2
	120	8.0	9.8	12.1	14.5	16.1	19.3	24.2	28.9	38.4	44.3	47.3	57.6	57.3	66.3	71.1	86.3	71.1	86.3	76.4	88.1	114.6	116.1
	130	7.4	10.5	11.2	15.6	14.8	20.9	22.3	31.1	35.5	47.2	43.7	61.3	53.0									



COMPRESSOR SST	5F20		5F30		5F40		5F60		5H40		5H60		5H66		5H80		5H86		5H120		5H126	
	Cap.	Bhp	Cap.	Bhp	Cap.	Bhp	Cap.	Bhp	Cap.	Bhp	Cap.	Bhp	Cap.	Bhp	Cap.	Bhp	Cap.	Bhp	Cap.	Bhp	Cap.	Bhp
42	80	11.0	5.9	9.0	16.5	17.2	29.3	64.1	38.1	77.6	43.6	96.3	56.7	103.5	57.9	128.4	75.4	155.4	86.3	192.8	112.5	129.7
	90	10.4	7.0	10.5	15.6	31.2	33.7	49.1	60.4	43.8	50.2	90.8	65.4	97.6	66.8	121.0	87.0	146.5	99.7	181.7	145.7	153.1
	100	9.7	8.0	14.6	19.4	29.2	23.7	46.1	56.7	49.2	68.7	85.3	73.4	91.6	75.0	113.7	97.6	137.6	112.0	170.7	145.7	153.1
	105	9.4	8.5	14.1	12.7	28.2	23.7	44.6	51.7	49.2	66.5	82.5	77.2	88.7	78.8	110.0	102.6	133.1	117.8	165.2	145.7	153.1
	110	9.0	9.0	13.6	13.4	27.2	26.5	43.1	41.6	54.0	64.3	82.5	80.8	85.7	82.5	107.3	107.3	119.8	123.3	148.7	160.3	173.5
44	80	11.5	5.9	17.2	8.9	34.6	16.9	54.3	29.1	66.8	37.8	100.3	56.3	107.8	57.5	133.7	74.9	161.9	85.6	200.8	111.7	111.7
	90	10.8	7.0	16.2	10.5	21.7	20.3	48.1	33.0	53.2	43.8	94.6	65.4	101.7	66.8	126.1	87.0	152.7	99.6	189.4	129.7	129.7
	100	10.1	8.1	15.2	12.0	30.5	23.7	48.1	38.0	49.4	71.7	88.9	73.8	95.6	75.4	118.6	98.1	143.5	112.6	178.0	146.4	146.4
	105	9.8	8.6	14.7	12.8	29.5	25.2	46.6	40.0	57.3	69.4	86.1	77.7	92.5	79.4	114.8	103.3	138.9	118.6	172.3	154.2	154.2
	110	9.5	9.0	14.2	13.5	28.4	26.7	45.0	41.9	55.4	67.1	83.3	81.5	89.5	83.4	111.0	108.3	134.3	124.4	166.6	161.7	161.7
45	80	11.7	5.8	17.6	10.5	35.3	16.8	55.4	29.0	68.2	37.6	102.4	56.1	110.0	57.3	136.5	74.6	165.2	85.3	204.9	111.2	111.2
	90	11.1	7.0	16.6	12.1	33.2	20.3	52.3	33.7	64.3	43.8	97.8	65.3	103.8	66.8	128.1	86.9	155.8	99.6	193.3	129.6	129.6
	100	10.4	8.1	15.6	12.1	31.1	23.7	49.1	38.1	60.4	49.5	90.6	73.9	97.6	75.5	121.0	98.3	146.5	112.8	181.8	146.7	146.7
	105	10.0	8.6	15.0	12.8	30.1	25.2	47.5	40.1	58.5	52.2	87.9	78.0	94.5	79.7	117.2	103.6	141.8	119.0	176.0	154.7	154.7
	110	9.7	9.1	14.5	13.5	29.1	26.7	46.0	42.1	56.6	68.5	85.0	81.8	91.4	83.6	113.4	108.7	137.2	124.9	170.2	162.4	162.4
46	80	12.0	5.8	17.9	10.5	36.0	16.6	56.6	28.8	69.5	37.4	104.5	55.8	112.3	57.0	139.2	74.3	168.5	84.8	209.1	110.7	110.7
	90	11.3	7.0	16.9	10.5	33.9	20.2	53.4	33.7	65.6	43.7	98.6	65.3	105.9	66.7	131.4	86.8	159.0	99.4	197.3	129.5	129.5
	100	10.6	8.1	15.9	12.1	31.8	23.6	50.2	38.1	61.7	49.6	92.7	74.1	99.6	75.7	123.6	98.5	149.6	113.0	185.6	147.0	147.0
	105	10.2	8.6	15.4	12.8	30.7	25.2	48.6	40.2	59.7	52.3	89.8	78.2	96.5	79.9	119.3	103.9	144.8	119.3	179.7	155.2	155.2
	110	9.9	9.1	14.9	13.6	29.7	26.8	47.0	42.3	57.8	54.9	86.9	82.1	93.3	83.9	115.8	109.2	140.1	125.4	173.8	163.1	163.1
48	80	12.5	5.7	18.7	10.4	37.5	16.2	58.9	28.5	72.4	37.0	108.7	55.3	116.8	56.4	144.9	73.4	175.4	83.9	217.6	109.6	109.6
	90	11.8	7.0	17.6	12.1	35.3	20.0	55.6	33.6	68.3	43.6	102.6	65.1	110.3	66.5	136.8	86.6	165.6	99.1	205.4	129.1	129.1
	100	11.0	8.0	16.6	12.1	33.1	23.6	52.3	38.2	64.3	49.7	96.6	74.3	103.8	75.9	128.8	98.7	155.8	113.2	193.3	147.4	147.4
	105	10.7	8.6	16.0	12.9	32.1	25.2	50.6	40.4	62.3	52.6	93.6	78.6	100.5	80.3	124.7	104.5	151.0	119.9	187.3	156.0	156.0
	110	10.3	9.1	15.5	13.6	31.0	29.9	49.0	42.5	60.2	55.3	90.6	82.7	97.3	84.5	120.7	109.9	146.1	126.3	181.2	164.2	164.2
50	80	13.0	5.9	19.4	10.4	39.0	15.8	61.3	28.2	75.3	36.5	113.1	54.6	121.5	55.6	150.7	72.5	182.4	82.7	226.3	108.2	108.2
	90	12.2	6.8	18.3	10.3	36.8	19.8	57.8	33.4	71.1	43.4	106.8	54.6	114.8	66.2	142.4	86.2	172.4	86.6	213.8	128.5	128.5
	100	11.5	8.0	17.2	12.0	34.5	23.5	54.4	38.3	67.0	49.8	100.6	74.4	108.1	76.0	134.1	98.9	162.3	113.4	201.3	147.6	147.6
	105	11.1	8.6	16.7	12.9	33.4	25.2	52.7	40.6	64.9	52.8	97.5	78.9	104.8	80.6	129.9	104.9	157.3	120.3	195.1	156.6	156.6
	110	10.7	9.2	16.2	13.7	32.3	26.9	51.0	42.8	62.8	55.6	94.4	83.2	101.4	85.0	125.8	110.6	152.2	127.0	188.9	166.2	166.2
51	80	13.5	6.1	19.9	10.4	40.5	16.2	63.3	29.1	78.2	37.0	116.8	55.3	124.8	56.4	154.9	73.4	187.5	83.9	231.9	110.7	110.7
	90	12.7	7.4	18.1	10.4	38.5	20.0	60.6	34.0	74.9	43.4	110.6	54.6	118.1	66.2	144.9	86.2	176.4	86.6	218.8	129.1	129.1
	100	12.0	8.4	17.6	10.4	37.2	22.4	58.8	36.3	71.0	43.4	108.2	54.6	116.8	66.2	142.4	86.2	174.4	86.6	216.4	128.5	128.5
	105	11.7	8.5	17.1	10.4	36.3	22.4	57.2	35.0	70.2	43.4	107.5	54.6	116.8	66.2	142.4	86.2	174.4	86.6	216.4	128.5	128.5
	110	11.2	9.3	16.6	10.4	35.0	22.4	56.1	34.4	68.2	43.4	106.8	54.6	116.8	66.2	142.4	86.2	174.4	86.6	216.4	128.5	128.5

# 5F & 5H COMPRESSOR DATA AND ACCESSORY GUIDE

## R-502 COMPRESSOR RATINGS For 5F & 5H Compressors

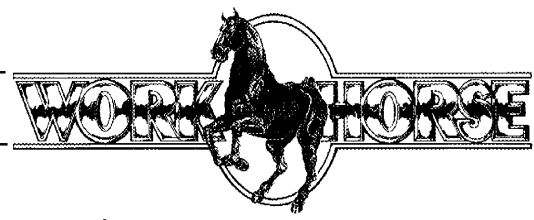
15° Subcooling  
75° Return Gas Temperature  
1750 RPM

### LEGEND

Bhp. - Brake Horsepower  
Cap. - Capacity (Tons)  
SDT - Saturated Discharge Temperature (°F)  
SST - Saturated Suction Temperature (°F)

COMPRESSOR SST	5F20		5F30		5F40		5F60		5H40		5H60		5H86		5H120		5H126						
	Cap.	Bhp	Cap.	Bhp	Cap.	Bhp	Cap.	Bhp	Cap.	Bhp	Cap.	Bhp	Cap.	Bhp	Cap.	Bhp	Cap.	Bhp					
-60	0.4	1.6	0.6	2.5	0.9	3.4	1.3	5.1	2.2	8.9	3.4	12.9	4.3	16.8	4.7	17.3	5.9	22.6	6.9	25.3	8.6	32.9	
60	0.8	2.4	1.2	3.7	1.6	5.0	2.4	7.3	3.9	12.0	6.0	17.5	7.5	22.9	8.1	23.4	10.1	30.5	12.1	34.5	15.0	44.9	
-50	0.6	2.2	0.9	3.4	1.3	4.7	1.9	6.8	4.9	16.6	4.9	16.6	5.5	21.7	5.3	20.2	6.7	27.0	7.9	30.4	9.6	39.5	
100	0.5	2.0	0.7	3.0	1.1	4.4	1.5	6.2	3.9	15.4	4.3	14.7	4.9	19.3	4.7	19.8	5.9	25.9	6.9	28.9	8.6	37.7	
105	0.4	1.8	0.6	2.8	0.9	4.1	1.3	5.6	2.2	10.0	2.8	13.2	3.4	14.7	4.3	15.8	4.7	19.8	5.9	25.9	7.9	33.7	
80	1.2	3.2	1.9	4.9	2.5	6.5	3.8	9.6	6.2	15.2	9.3	22.4	11.6	29.2	12.5	29.8	15.5	38.8	18.7	44.3	23.2	57.6	
90	1.0	3.1	1.6	4.7	2.2	6.4	3.2	9.4	5.3	14.9	8.3	22.0	9.9	28.6	10.7	29.2	13.3	38.1	16.0	43.3	19.9	56.4	
100	0.8	3.0	1.3	4.5	1.8	6.2	2.6	9.0	4.4	14.3	6.7	21.2	8.3	27.6	9.0	28.2	11.2	36.8	13.4	41.7	16.7	54.4	
105	0.7	2.9	1.2	4.3	1.6	6.1	2.4	8.7	4.0	14.0	6.1	20.6	7.6	27.0	8.2	27.8	10.2	35.9	12.2	40.7	15.1	53.0	
110	0.7	2.9	1.0	4.2	1.5	5.9	2.1	8.4	3.6	13.5	4.5	20.0	6.8	26.2	7.4	26.8	9.5	34.9	11.0	39.5	13.7	51.5	
120	0.5	2.5	0.8	3.7	1.2	5.5	1.6	7.7	2.8	12.5	3.5	18.5	5.4	24.3	5.9	24.9	7.4	32.6	8.7	36.6	10.8	47.8	
80	1.8	4.0	2.8	6.0	3.7	8.0	5.5	12.0	9.0	18.6	11.1	24.2	13.5	35.8	18.1	36.4	22.5	47.4	27.1	54.3	33.6	70.6	
90	1.6	4.0	2.4	6.0	3.2	8.1	4.8	12.0	7.9	18.6	11.1	24.2	13.5	35.8	15.9	36.5	19.7	47.5	23.7	54.3	29.5	70.7	
100	1.3	4.0	2.1	6.0	2.8	8.1	4.1	11.9	6.8	18.4	8.4	23.9	10.2	35.5	13.7	36.1	17.1	47.1	20.5	53.7	25.5	70.0	
105	1.2	3.9	1.9	5.9	2.6	8.1	3.8	11.7	6.3	18.2	7.8	23.6	9.5	35.8	12.7	35.8	15.8	46.6	19.0	53.2	23.6	69.3	
110	1.1	3.9	1.7	5.8	2.4	8.0	3.5	11.6	5.7	17.9	7.2	23.3	8.7	34.7	11.7	35.3	14.6	46.1	17.5	52.5	21.7	68.4	
120	0.9	3.7	1.4	5.5	2.0	7.8	2.9	11.0	4.8	17.2	6.0	22.4	7.3	33.4	9.8	34.1	12.2	44.4	16.6	50.5	18.1	65.8	
80	2.6	4.8	3.9	7.1	5.2	9.4	7.8	14.2	12.5	21.9	15.4	28.5	18.7	32.4	25.0	43.0	31.1	56.0	37.5	64.2	46.5	83.4	
90	2.3	4.8	3.4	7.3	4.6	9.8	6.9	14.6	11.1	22.3	13.7	29.0	16.7	33.1	20.7	43.1	22.3	43.9	27.7	57.1	33.4	65.5	
100	2.0	5.0	3.0	7.4	4.0	10.0	6.0	14.7	9.8	22.5	14.7	33.4	18.3	43.5	19.7	44.3	24.5	57.7	29.5	66.1	34.2	86.0	
105	1.8	5.0	2.8	7.4	3.8	10.1	5.6	14.8	9.1	22.5	11.3	29.2	13.8	43.6	18.4	44.3	22.9	57.7	27.6	66.1	34.2	86.1	
110	1.7	5.0	2.6	7.4	3.5	10.1	5.2	14.7	8.5	22.4	10.5	29.2	12.8	43.5	17.2	44.3	21.4	57.6	25.7	65.9	31.9	85.9	
120	1.4	4.9	2.2	7.3	3.0	10.1	4.4	14.5	7.3	22.1	9.0	28.7	11.0	33.9	13.7	42.9	18.4	57.0	22.1	65.0	27.4	85.6	
80	3.5	5.5	5.3	8.2	7.0	10.7	10.5	16.2	16.8	25.0	20.7	32.5	25.1	37.1	31.2	48.3	33.5	49.3	41.6	50.2	64.2	83.6	
90	3.1	5.7	4.7	8.5	6.3	11.3	9.4	17.0	15.1	25.9	18.6	33.7	22.6	38.5	28.1	50.1	30.2	51.1	37.5	45.3	76.3	99.3	
100	2.7	5.9	4.2	8.8	5.6	11.8	8.4	17.5	13.5	26.6	16.7	34.6	20.2	38.6	25.1	51.5	27.0	52.5	33.6	40.5	78.4	102.0	
105	2.6	6.0	3.9	8.9	5.2	12.0	8.7	17.7	12.7	26.8	15.7	33.9	19.1	39.9	23.7	52.0	25.4	53.0	31.6	38.2	79.1	102.9	
110	2.4	6.1	3.7	9.0	4.9	12.1	8.4	17.9	11.9	27.0	14.7	35.1	17.9	40.2	22.2	52.4	23.9	53.6	35.9	35.9	79.6	104.3	
120	2.1	6.1	3.2	9.1	4.3	12.4	6.4	18.0	10.4	27.1	12.9	35.2	15.7	40.4	19.5	52.7	20.9	53.6	26.0	31.4	80.0	103.6	
80	4.6	6.0	6.9	9.0	9.1	11.8	13.8	17.9	21.9	27.8	27.0	36.2	32.8	41.3	40.7	53.8	43.7	54.9	54.2	65.6	82.0	106.5	
90	4.1	6.4	6.3	9.6	8.3	12.7	12.5	19.1	19.9	29.3	24.6	38.1	29.8	39.8	56.7	56.7	59.9	49.4	75.3	59.7	86.5	112.4	
100	3.7	6.8	5.6	10.1	7.5	13.4	11.2	20.1	18.0	30.5	22.2	39.7	26.9	45.5	33.4	59.2	35.9	60.3	44.6	53.9	90.2	117.2	
105	3.5	6.9	5.3	10.3	7.1	13.8	10.6	20.5	17.0	31.0	21.0	40.3	25.5	46.3	31.7	60.2	34.0	61.3	42.3	79.8	91.7	119.3	
110	3.3	7.1	5.0	10.5	6.7	14.1	10.0	20.9	16.1	31.4	19.9	40.9	24.1	46.9	29.9	61.1	32.2	62.2	40.0	81.0	93.0	121.0	
120	2.9	7.3	4.4	10.8	5.9	14.6	8.8	21.4	14.2	32.1	17.6	41.7	21.4	47.9	26.6	62.4	28.5	63.6	35.5	82.7	95.0	123.7	
80	5.9	6.5	8.9	9.7	11.8	12.7	17.7	19.2	28.1	30.1	34.6	39.2	41.9	44.8	52.0	58.3	55.9	59.5	69.4	77.4	83.9	88.9	104.1
90	5.4	7.0	8.1	10.5	10.7	13.8	16.2	20.9	25.7	32.3	31.7	42.0	38.4	48.1	47.7	62.5	51.2	63.8	63.6	83.0	76.9	95.4	95.4
100	4.9	7.5	7.4	11.2	9.7	14.9	14.7	22.3	23.4	34.1	28.8	44.4	35.0	50.9	43.4	66.2	46.6	67.5	57.9	87.9	70.0	101.0	86.9
105	4.6	7.8	7.0	11.6	9.3	15.4	13.9	23.0	22.2	34.9	27.4	45.4	33.3	52.1	41.3	67.8	44.4	69.2	55.1	90.0	66.6	103.5	131.3
110	4.4	8.0	6.6	11.9	8.8	15.8	13.2	23.6	21.1	35.7	26.0	46.4	31.6	53.3	39.2	69.3	42.1	70.7	52.3	91.9	63.3	105.7	137.4
120	3.9	8.3	5.9	12.4	7.8	16.6	11.8	24.6	18.9	36.9	23.3	48.0	28.3	55.2	35.1	71.9	37.7	73.2	46.9	95.2	56.6	142.5	
80	7.4	6.7	11.2	10.1	14.9	13.3	22.4	19.9	35.4	31.8	43.5	41.3	52.7	47.2	65.5	61.5	70.3	62.8	87.2	81.7	105.6	93.8	131.0
90	6.8	7.5	10.3	11.2	13.7	14.7	20.5	22.1	32.6	34.7	40.1	45.1	48.6	60.3	67.2	64.8	80.4	89.3	97.3	102.5	120.7	133.2	
100	6.2	8.4	12.1	12.5	16.1	16.1	18.8	24.1	29.8	37.2	36.7	48.4	44.5	55.5	52.8	72.3	59.4	73.8	73.7	96.0	89.1	110.3	143.4
105	5.9	9.0	11.9	12.6	15.9	17.9	25.1	28.5	38.4	35.1	49.9	42.5	57.3	52.8	74.6	56.7	76.1	70.3	99.0	85.1	113.9	148.0	
110	5.6	8.8	11.3	13.0	17.3	17.3	20.9	25.9	37.1	39.5	33.4	51.3	40.5	59.0	50.3	76.8	54.0	78.3	67.0	101.9	81.1	117.2	152.3
120	5.1	9.3	7.7	13.8	10.2	18.5	15.3	27.5	24.4	41.4	30.1	53.8	36.6	62.0	45.4	80.6	60.5	107.0	73.2	123.0	90.8	160.0	
80	9.3	6.8	13.9	10.2	18.6	13.5	27.9	19.9	43.9	32.5	54.0	42.3	65.4	87.2	84.4	108.2	83.8	130.9	96.1	130.9	96.1	162.4	
90	8.5	7.7	12.9	11.5	17.1	15.3	25.7	22.7	40.6	36.3	50.0	47.1	60.5	54.0	75.1	70.3	80.7	100.2	121.2	107.3	150.4	139.5	
100	7.8	8.6	11.8	12.8	15.7	17.0	23.6	25.4	37.4	39.7	48.0	51.6	55.8	59.2	68.2	77.0	74.3	92.2	102.3	111.6	117.6	138.5	
105	7.5	9.0	11.3	13.4	15.0	17.8	22.6	26.6	35.8	41.2	44.0	53.6	53.4	61.6	80.1	71.2	81.8	106.4	106.8	122.3	132.6	159.0	

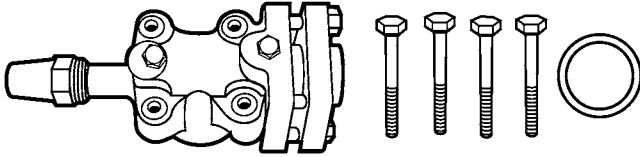




COMPRESSOR SST	5F20		5F30		5F40		5F60		5H40		5H60		5H66		5H86		5H88		5H120		5H126	
	Cap.	Bhp	Cap.	Bhp	Cap.	Bhp	Cap.	Bhp	Cap.	Bhp	Cap.	Bhp	Cap.	Bhp	Cap.	Bhp	Cap.	Bhp	Cap.	Bhp	Cap.	Bhp
32	80	9.7	6.8	14.5	10.2	13.5	29.1	19.8	45.8	32.6	48.5	84.6	63.1	80.9	64.5	112.7	83.9	136.5	96.1	169.3	125.1	
	90	8.9	7.7	13.4	11.6	17.9	26.8	22.8	42.4	36.5	59.4	78.4	70.7	84.2	79.4	104.5	94.1	128.5	108.0	156.9	140.4	
	100	8.2	8.6	12.3	12.9	16.4	24.7	25.5	39.0	40.0	58.2	72.2	77.8	77.6	79.4	96.3	103.4	116.5	118.7	144.6	154.3	
	120	7.8	9.1	11.8	13.5	15.7	23.6	26.8	37.4	41.7	46.0	69.2	69.2	81.0	74.3	82.8	107.7	111.6	123.8	138.5	160.8	
34	80	6.8	10.3	10.2	15.2	20.3	30.4	30.3	32.5	46.2	69.1	88.1	89.9	64.6	85.9	80.2	119.3	97.1	137.2	120.4	178.4	
	90	10.1	6.7	15.1	10.1	20.2	30.3	19.6	47.7	32.5	48.4	88.1	63.1	94.7	64.4	117.5	83.9	142.2	96.1	163.4	125.1	
	100	9.3	7.7	14.0	11.6	18.6	28.0	22.8	44.2	36.6	54.6	81.7	71.1	87.8	72.6	108.9	94.5	131.9	108.4	166.6	141.0	
	120	8.6	8.7	12.9	13.0	17.1	25.8	25.6	40.7	40.4	60.3	75.4	78.5	81.0	80.2	100.5	104.3	121.6	119.8	150.9	155.7	
35	80	8.2	9.1	12.3	13.6	16.4	24.7	28.3	39.0	42.1	62.9	72.3	81.9	77.6	83.7	96.3	108.8	116.5	125.1	144.6	162.6	
	90	7.8	9.6	11.8	14.2	15.7	23.6	28.3	37.3	43.8	65.5	69.1	85.2	74.3	87.0	92.1	113.1	111.5	130.1	138.3	169.1	
	100	7.1	10.4	10.7	15.4	14.2	20.6	21.4	30.7	34.0	50.7	70.1	62.9	91.2	67.6	83.9	121.1	101.5	139.3	125.9	181.1	
	120	10.3	6.7	15.4	10.1	20.6	30.4	30.9	48.7	32.5	48.4	89.9	63.0	99.7	64.4	119.9	83.8	145.1	96.0	180.0	125.0	
36	80	9.5	7.7	14.3	11.6	19.0	28.6	22.7	45.1	36.7	54.7	83.4	71.2	89.7	72.8	111.2	94.7	134.6	108.6	167.0	141.3	
	90	8.7	8.7	13.2	13.0	17.5	26.3	25.7	41.6	40.5	60.5	77.0	78.8	80.5	104.7	102.6	104.7	124.2	120.3	154.1	156.3	
	100	8.4	9.2	12.6	13.7	16.8	25.2	27.1	39.9	42.3	63.2	73.8	82.3	79.3	84.1	98.4	109.4	119.1	125.7	147.7	163.4	
	120	8.0	9.5	12.1	14.3	16.0	24.1	28.4	38.2	44.0	65.8	70.6	85.7	75.9	87.5	94.2	113.8	113.9	130.8	141.4	170.0	
38	80	10.5	6.7	15.7	10.1	21.0	31.6	19.5	49.7	32.5	48.4	91.8	63.0	98.6	64.3	122.3	83.7	148.1	95.9	183.7	124.9	
	90	9.7	7.7	14.6	11.6	19.5	29.2	22.7	46.1	36.8	54.8	85.2	71.3	91.5	72.9	113.5	94.9	137.4	108.8	170.5	141.6	
	100	8.9	8.7	13.5	13.0	17.9	26.9	25.7	42.5	40.7	63.8	78.6	79.1	84.5	80.8	104.8	105.1	126.9	120.7	157.4	156.9	
	120	8.6	9.2	12.9	13.7	17.1	25.7	27.2	40.7	42.5	60.4	63.5	75.4	82.7	81.0	100.9	109.9	121.6	126.3	150.9	164.1	
40	80	8.2	9.7	12.3	14.4	16.4	24.6	28.5	39.0	44.3	66.2	72.2	86.1	70.7	88.0	96.2	114.4	116.4	131.5	144.4	171.0	
	90	7.4	10.5	11.2	15.6	14.9	20.8	31.0	35.5	47.5	71.1	65.8	92.5	75.7	87.7	122.9	106.1	141.3	116.4	183.7		
	100	10.9	6.6	16.4	10.0	21.9	33.3	22.9	51.7	32.4	48.2	95.5	62.8	102.7	64.1	127.3	83.5	154.1	95.5	191.2	124.5	
	120	10.1	7.7	15.2	11.6	20.3	30.5	22.7	48.0	36.8	54.9	88.7	71.5	95.3	73.1	118.3	95.1	143.1	109.1	177.6	141.9	
45	80	9.3	8.8	14.0	13.1	18.7	28.1	25.8	44.3	41.0	61.2	82.0	79.6	88.1	81.3	109.3	105.8	132.3	121.5	164.1	158.0	
	90	8.9	9.3	13.4	13.8	17.9	26.9	27.3	42.5	42.9	63.4	78.6	83.4	84.5	86.2	104.8	110.8	126.9	127.3	157.4	166.8	
	100	8.5	9.7	12.9	14.5	17.1	25.7	28.7	40.7	44.7	66.9	75.6	87.0	80.9	88.9	100.4	115.6	121.5	132.9	150.7	172.8	
	120	7.8	10.6	11.7	15.8	15.5	21.0	31.4	37.1	48.1	72.0	68.7	93.8	73.8	95.7	124.5	110.8	143.2	110.8	137.5	186.2	
50	80	11.4	6.6	17.1	9.9	22.8	34.2	19.0	53.8	32.2	48.0	99.4	62.5	106.8	63.8	132.5	83.1	160.3	95.0	198.9	123.9	
	90	10.6	7.7	15.8	11.6	21.1	31.7	22.5	50.0	36.9	55.0	92.4	71.6	99.3	73.1	123.1	95.2	149.0	109.1	184.9	142.1	
	100	9.7	8.8	14.6	13.1	19.5	29.3	25.8	46.2	41.2	68.8	85.4	80.1	91.8	81.8	113.9	106.4	137.8	122.2	171.0	158.9	
	120	9.3	9.3	14.0	13.9	18.7	28.0	27.4	44.3	43.2	66.1	82.0	84.0	88.1	85.8	109.3	111.7	132.2	128.3	164.1	166.8	
50	80	8.9	9.8	13.4	14.6	17.8	26.8	28.9	42.4	45.1	67.5	78.5	87.8	84.4	89.7	104.7	116.7	126.7	134.1	157.2	174.4	
	90	8.1	10.7	12.2	15.9	16.2	21.3	31.7	38.7	48.7	72.9	71.7	94.9	77.1	96.9	126.1	115.7	145.0	115.7	143.5	188.5	
	100	12.5	6.4	18.8	9.6	25.2	37.8	18.2	59.3	31.6	47.1	109.6	61.3	117.7	62.5	146.0	81.5	176.7	93.1	219.3	121.6	
	120	11.7	7.6	17.3	11.4	23.4	35.1	22.1	55.2	36.8	54.8	102.0	71.4	109.6	72.9	136.0	94.9	164.6	108.7	204.2	141.7	
50	80	10.8	8.8	16.2	13.2	21.6	32.4	25.8	51.1	41.6	62.1	94.5	80.8	101.5	82.6	126.0	107.4	152.5	123.3	189.1	160.4	
	90	10.3	9.4	15.5	14.0	20.7	31.1	27.5	49.1	43.8	65.5	90.8	85.3	97.5	87.1	121.0	113.3	146.4	130.1	181.7	169.3	
	100	9.9	9.9	14.9	14.8	19.8	29.8	29.2	47.1	46.0	68.8	87.1	89.5	93.5	91.5	116.1	119.0	140.4	136.7	174.2	177.8	
	120	9.0	11.0	13.6	16.3	18.1	27.2	32.3	43.1	50.1	75.0	79.7	97.6	85.6	99.6	106.2	129.6	128.6	149.0	159.5	193.7	
50	80	13.9	6.1	20.7	9.2	27.8	41.6	17.1	65.3	30.6	45.6	120.4	59.4	129.5	60.6	160.5	78.9	194.3	90.1	241.1	117.9	
	90	12.9	7.4	19.3	11.2	25.8	38.7	21.4	60.8	36.3	54.2	112.3	70.5	120.7	72.0	149.7	93.8	181.2	107.3	224.8	140.0	
	100	11.9	8.7	17.9	13.1	23.9	35.8	25.4	56.4	41.6	62.2	104.3	81.0	112.0	82.7	139.0	107.7	168.2	123.5	208.7	160.8	
	120	11.4	9.4	17.2	14.0	22.9	34.4	27.4	54.2	44.2	66.0	100.2	85.9	107.7	87.8	133.6	114.2	161.7	131.1	200.6	170.6	
50	80	11.0	10.0	16.5	14.9	22.0	33.0	29.2	52.0	46.6	64.0	96.2	90.7	103.4	92.6	128.3	120.6	155.2	138.4	192.6	180.1	
	90	10.0	11.1	15.1	15.1	20.1	30.2	32.7	47.7	51.2	76.6	88.3	99.7	94.8	101.8	117.7	132.5	142.4	152.3	176.7	198.0	

# 5F & 5H COMPRESSOR DATA AND ACCESSORY GUIDE

## SERVICE VALVES



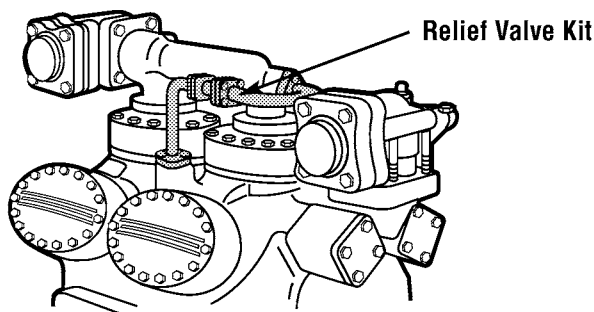
COMPRESSOR MODEL	SUCTION SERVICE VALVE RCD P/N	DISCHARGE SERVICE VALVE RCD P/N
<b>5F COMPRESSORS</b>		
5F20-S674	06DA660063	06DA660062
5F20-A684	06DA660063	06DA660062
5F20-S684	06DA660063	06DA660062
5F30-A189	06EA660090	06DA660065
5F30-S644	06EA660090	06DA660065
5F30-A219	06EA660090	06DA660065
5F30-S664	06EA660090	06DA660065
5F40-A219	06EA660090	06DA660065
5F40-S219	06EA660090	06DA660065
5F60-A219	5F660-002	5F660-001
5F60-S219	5F660-002	5F660-001

## 5H COMPRESSORS

5H40-(+)219	5H660-008	5F660-002
5H46-(+)219	5H660-008	5F660-002
5H60-(+)219‡	06LA660010	06LA660010
5H66-(+)219‡	06LA660010	06LA660010
5H80-(+)219	06LA660010*	06LA660010 ◆
5H86-(+)219	06LA660010*	06LA660010 ◆
5H120-(+)219‡	06LA660011	06LA660011
5H126-(+)219‡	06LA660011	06LA660011

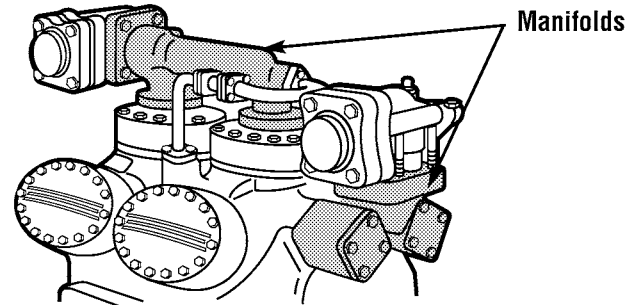
- (+) May be either "A" (Remanufactured) or "S" (New Manufactured)  
 ‡ These Models require a suction and a discharge manifold in order mount the service valve.  
 \* Requires a suction valve adapter (P/N: 5H660-006).  
 ◆ Requires a discharge valve adapter (P/N: 5H660-005).

## RELIEF VALVE KIT



Compressor Models 5H 120 & 126 Require the addition of a relief valve and associated piping.  
**RCD P/N: 5H120-337**

## RELIEF VALVE KIT



The Models listed require the addition of a suction and discharge manifold in order to mount the service valve.

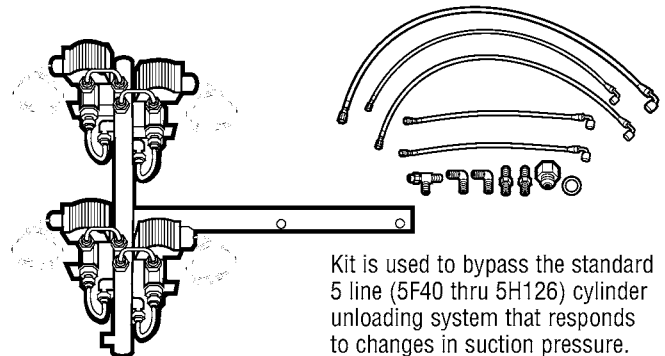
COMPRESSOR MODEL	SUCTION MANIFOLD RCD P/N	DISCHARGE MANIFOLD RCD P/N
5F60-A219	5F60-1094	NONE
5H60,66	5H660-007	5H660-007
5H120,126	5H660-001	5H660-003

## MUFFLERS



COMPRESSOR MODEL	LENGTH (IN.)	CONN. SIZE (IN.)	MUFFLER RCD P/N
5F20	11-1/4	1-1/8 O.D.F.	06DA605614
5F30,40,60	13-3/4	1-3/8 O.D.F.	05HY500853
5H40,46,60,66	22-5/8	2-5/8 O.D.F.	05HY500863
5H80,86,120,126	22-5/8	3-1/8 O.D.F.	05HY501013

## EXTERNAL UNLOADER CONVERSION KIT



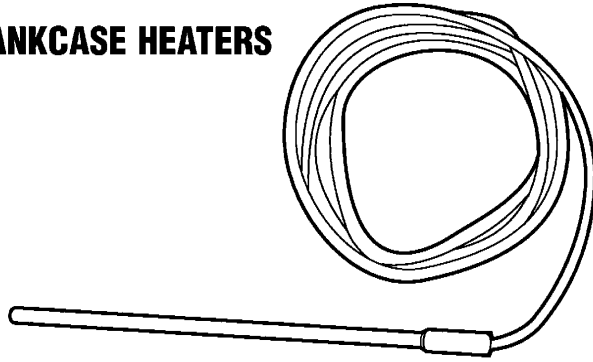
Kit is used to bypass the standard 5 line (5F40 thru 5H126) cylinder unloading system that responds to changes in suction pressure.

A field supplied controller is used in conjunction with this kit to control solenoid valves that activate/deactivate cylinder unloaders. External capacity control results in more precise compressor capacity matching to the load.

COMPRESSOR MODEL	RCD P/N	COMPRESSOR MODEL	RCD P/N
5F40	5F40-4FI	5H60,66,80,86	5H60-4FI
5F60	5F60-4FI	5H120,126	5H120-4FI
5H40,46	5H40-4FI		

5F Kits contain hand hole cover  
 5H Kits contain blankoff plates.  
 120 volt solenoid coils.

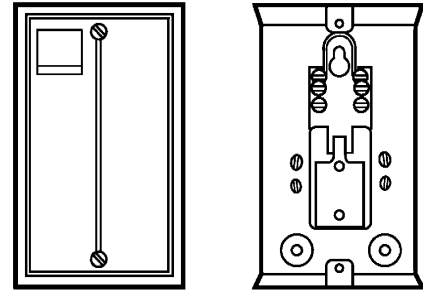
## CRANKCASE HEATERS



COMPRESSOR MODEL USED ON	WATTS	VOLTS	LEAD LENGTH (IN.)	SHEATH LENGTH (IN.)	RCD P/N
5F20,30,40,60	100	120	48	7	HT31AZ120
5F20,30,40,60	100	240	48	7	HT31AZ240
5H40,46,60,66,80*, 86*,120*,126*	200	120	63	7	HT31AZ121
5H40,46,60,66,80*, 86*,120*,126*	200	240	63	7	HT31AZ241

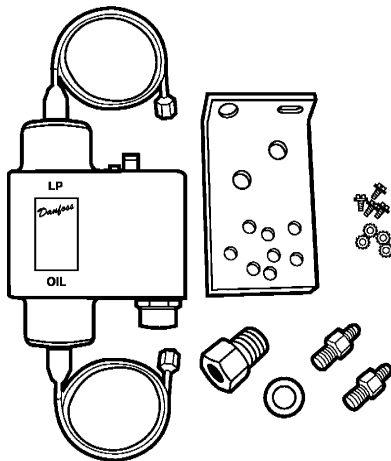
\* These Models Require Two Heaters

## CRANKCASE HEATER RELAYS



The Crankcase Heater Relay is used to energize the Heater when the compressor is not in operation. The Crankcase Heater Relay is not required when using 32 Series control panels.

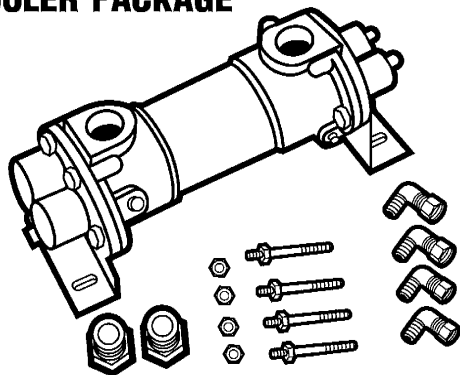
COIL VOLTS	RCD P/N
120	HN61AJ101
240	HN61AJ108



## 5F/5H LUBE OIL CONTROL

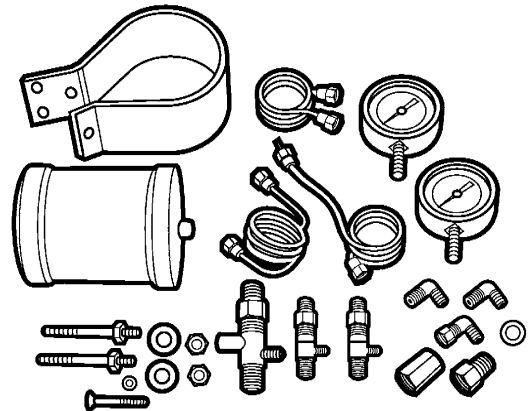
TIME DELAY	CONNECTIONS	PRESSURE DIFFERENTIAL		VOLTS	RESET	RCD P/N CONTROL ONLY	
		CUT-IN	CUT-OUT			KIT	CONTROL ONLY
45 Seconds	3/6" Lg. Cap w/ 1/4" Fl. Nuts	15-20 psi	11-15 psi	115/230	Manual	5F20-212	P529-4120

## OIL COOLER PACKAGE



COMPRESSOR USED ON	RCD P/N
All 5F	5F20-B103
5H40,46,60,66,80,86	5H40-B283
5H120,126	5H120-B283

## OIL FILTER PACKAGE



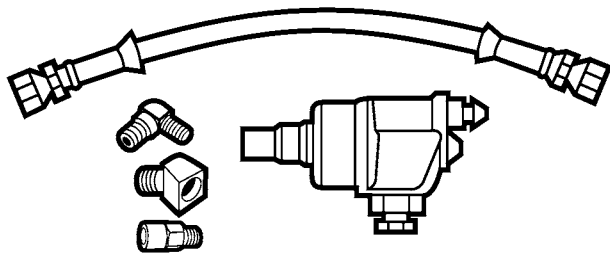
Package Includes: (1) partial flow oil filter with fittings, (2) angle valves, tubing and (2) oil pressure gauges. All 5H120, 126 are supplied standard with a full flow.

Use on: 5H40, 46, 60, 66, 80, 86 compressor models  
RCD P/N: 5H40-A274

OIL FILTER ONLY ..... RCD P/N: 05HG660020

# 5F & 5H COMPRESSOR DATA AND ACCESSORY GUIDE

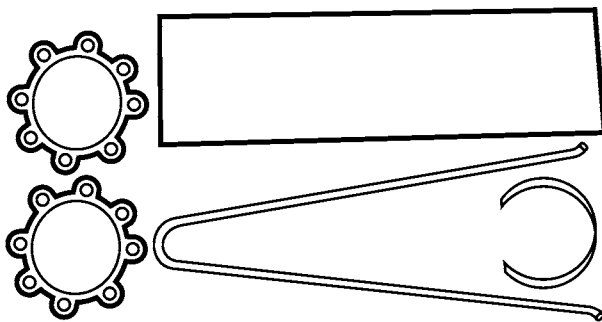
## CAPACITY CONTROL VALVE PACKAGE



For use on 5F20,30 compressors.

COMPRESSOR MODEL	REFRIGERANT USAGE	RCD P/N
5F20, 30	R-12	5F20-752
5F20, 30	R-22, R-502	5F20-A752

## FELT FILTER KIT

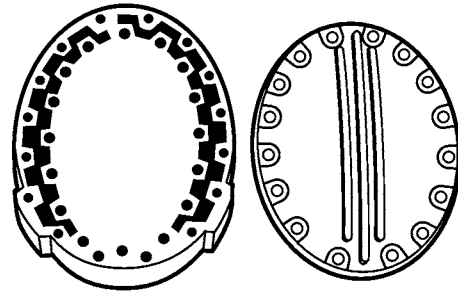


Felt Filters are installed in the compressor's suction strainer as a temporary clean up medium.

**Note:** Filter Kit is included with service compressors.

COMPRESSOR MODEL	NO. OF FILTERS REQUIRED PER COMPRESSOR	KIT RCD P/N	FILTER ONLY RCD P/N
5F40, 46	1	5F40-A352	5F40-3792
5F60, 66	2	5F60-A352	5F60-3792
5H40, 46	1	5H40-A382	5H40-4032
5H60, 66	2	5H60-A382	5H60-4032
5H80, 86	1	5H80-A382	5H80-4032
5H120, 126	2	5H120-A382	5H120-4552

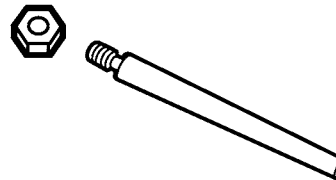
## WATER-COOLED HEAD PACKAGE



5F COMPRESSORS		5H COMPRESSORS	
COMPRESSOR MODEL	RCD P/N	COMPRESSOR MODEL	RCD P/N
5F20	5F20-172	5H40, 46	5H40-507
5F30	5F30-172	5H60, 66	5H60-507
5F40	5F40-172	5H80, 86	5H80-507
5F60	5F60-172	5H120, 126	5H120-507

Water Cooled Heads are required for compressors used on low temp R-22 applications. See Compressor Ratings on pages 4 & 5 for application ranges. The water cooled head packages listed contain the necessary heads, covers, gaskets, and fittings to convert standard 5F/H compressors to water cooled heads.

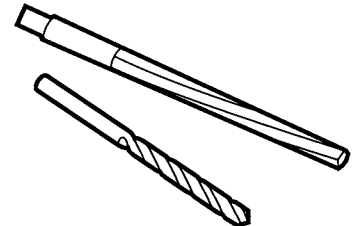
## DOWEL PIN



Tapered dowel pin (no. 6 x 2-3/4" long) is used to maintain alignment and to ensure exact compressor/motor repositioning after service. Two Pins are required for both motor and compressor. (Pins for motor are included in motor fastening package).

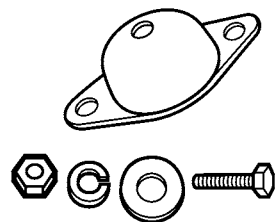
RCD P/N: AX35AA238

## DRILL & REAMER KIT



Drill and reamer kit includes a 9/32 in. drill bit and a no. 6 taper reamer to facilitate installation of the no. 6 tapered dowel pin.

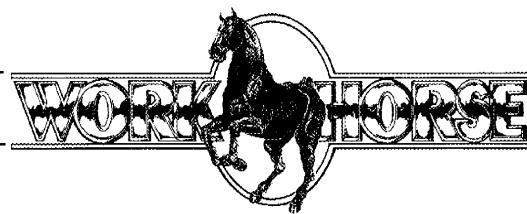
RCD P/N: 5H40680004



## VIBRATION ISOLATORS

VIBRATION ISOLATORS limit the transfer of vibration. They are attached underneath the surface to which the compressor is mounted. Four isolators are supplied in each package. One for each corner of the unit. Associated Hardware is also included. Select proper size isolator by dividing total unit weight by 4.

RCD P/N	5F20-623	5F30-623	5F60-633	5F60-663	5H40-653	5H60-673	5H80-673	5H120-467	5H120-527
ISOLATOR LOADING LBS./ISOLATOR	90 to 150	150 to 210	210 to 290	290 to 390	350 to 450	450 to 650	650 to 950	950 to 1250	1250 to 1550



## COMPRESSOR TO DRIVE MOTOR COMBINATIONS

Motor selection is based on compressor rating charts.

### 5F COMPRESSOR/MOTOR COMBINATIONS

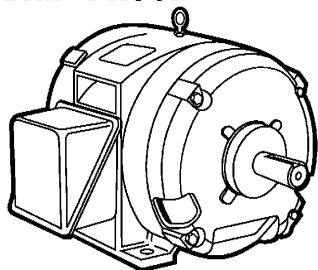
COMPRESSOR MODEL	MOTOR H.P. RATING
5F20	5, 7.5, 10
5F30	7.5, 10, 15
5F40	7.5, 10, 15, 20, 25
5F60	10, 15, 20, 25, 30

\* **NOTE:** Extended stroke compressors (5H46,66,86,126) should not be applied on belt drive applications.

### 5H COMPRESSOR/MOTOR COMBINATIONS

COMPRESSOR MODEL	MOTOR H.P. RATING
5H40	20, 25, 30, 40, 50
5H46	25, 30, 35, 40, 50, 60
5H60	30, 40, 50, 60, 75
5H66*	40, 50, 60, 75, 100
5H80	40, 50, 60, 75, 100
5H86*	50, 60, 75, 100, 125
5H120	60, 75, 100, 125, 150
5H126*	75, 100, 125, 150, 200

## MOTORS DRIP PROOF



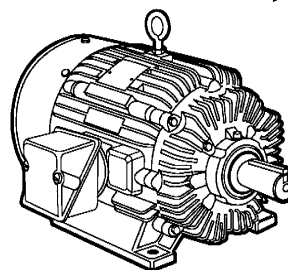
- 3 Phase, 60 Hertz
- 40°C Ambient
- Nema Design B
- 1.15 Service Factor
- Class B Insulation
- Continuous Duty
- F1 Assembly

H.P.	SPEED	VOLTAGE(1)	FRAME	RCD P/N
5	1800	200-208	184T	<b>240-139</b>
	1800	208-230/460	184T	<b>240-138</b>
7.5	1800	200-208	213T	<b>240-147</b>
	1800	208-230/460	213T	<b>240-146</b>
10	1800	200-208	215T	<b>240-155</b>
	1800	208-230/460	215T	<b>240-154</b>
15	1800	200	254T	<b>240-163</b>
	1800	208/230/460	254T	<b>240-162</b>
20	1800	200-208	256T	<b>240-171</b>
	1800	230/460	256T	<b>240-170</b>
25	1800	208/230/460	284T	<b>240-179</b>
	1800	230/460	284T	<b>240-178</b>
30	1800	200-208	286T	<b>240-189</b>
	1800	208/230/460	286T	<b>240-188</b>
40	1800	200-208	324T	<b>240-197</b>
	1800	230/460	324T	<b>240-196</b>
50	1800	200-208	326T	<b>240-205</b>
	1800	230/460	326T	<b>240-204</b>
60	1800	200-208	364T	<b>240-213</b>
	1800	230/460	364T	<b>240-212</b>
75	1800	200-208	365T	<b>240-221</b>
	1800	230/460	365T	<b>240-220</b>
100	1800	200-208	404T	<b>240-231</b>
	1800	230/460	404T	<b>240-230</b>
125	1800	460	405T	<b>240-240</b>
150	1800	460	444TS	<b>See Note</b>
200	1800	460	445TS	<b>See Note</b>

(1) Motors rated 208-230/460 will operate at 208 volts. At 208 volts, motor may not meet NEMA specifications.

**NOTE:** Order these by description.

## TOTALLY ENCLOSED, FAN COOLED



- 3 Phase, 60 Hertz
- 40°C Ambient
- Nema Design B
- 1.15 Service Factor
- Class B Insulation
- Continuous Duty
- F1 Assembly

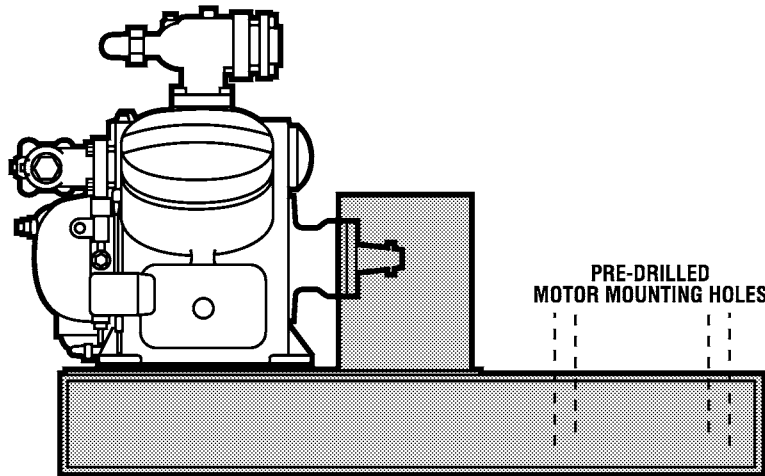
H.P.	SPEED	VOLTAGE*	FRAME	RCD P/N
5	1800	200-208	184T	<b>241-139</b>
	1800	230/460	184T	<b>241-138</b>
10	1800	200-208	215T	<b>241-155</b>
	1800	230/460	215T	<b>241-154</b>
15	1800	200-208	254T	<b>241-163</b>
	1800	230/460	254T	<b>241-162</b>
20	1800	200-208	256T	<b>241-171</b>
	1800	230/460	256T	<b>241-170</b>
25	1800	200-208	284T	<b>241-179</b>
	1800	230/460	284T	<b>241-178</b>
30	1800	200-208	286T	<b>241-189</b>
	1800	230/460	286T	<b>241-188</b>
40	1800	200-208	324T	<b>241-197</b>
	1800	230/460	324T	<b>241-196</b>
50	1800	200-208	326T	<b>241-205</b>
	1800	230/460	326T	<b>241-204</b>
60	1800	200-208	364T	<b>241-213</b>
	1800	230/460	364T	<b>241-212</b>
75	1800	200-208	365T	<b>241-221</b>
	1800	230/460	365T	<b>241-220</b>
100	1800	200-208	405T	<b>241-231</b>
	1800	230/460	405T	<b>241-230</b>
125	1800	460	444TS	<b>See Note</b>
150	1800	460	445TS	<b>See Note</b>
200	1800	460	445T	<b>241-258</b>

\* 230 Volt Motors operational on 208 volt network.

**NOTE:** Order these by description.

# 5F & 5H COMPRESSOR DATA AND ACCESSORY GUIDE

## DIRECT DRIVE UNIT BASES



- Heavy duty channel steel base
- Coupling guard included
- Motor and compressor mounting holes are pre-drilled. Select motor drilling code from the chart below:

### MOTOR DRILLING CODE CHART

CODE	H.P.	FRAME	CODE	H.P.	FRAME	CODE	H.P.	FRAME
A	5	184T	F	25	284T	L	75	365T
B	7.5	213T	G	30	286T	M	100	404T
C	10	215T	H	40	324T	N	125	405T
D	15	254T	J	50	326T	O	150	444TS
E	20	256T	K	60	364T	P	200	445TS

COMPRESSOR USED WITH	MOTOR DRILLING SELECTION	BASE SIZE (L x W x H)	APPROX. BASE WEIGHT	DIRECT DRIVE UNIT BASE RCD P/N
5F20	A,B,C	37 x 16 x 11	200	5F20-515(*)
5F30	B,C,D	37 x 16 x 11	200	
5F40	B,C,D,E,F	48 x 22 x 6	250	5F40-398(*)
5F60	C,D,E,F,G	48 x 22 x 6	250	
5H40	E,F,G,H,J	56 x 25 x 8	400	5H40-588(*)
5H46	F,G,H,J,K	56 x 25 x 8	400	
5H60	G,H,J,K,L	56 x 25 x 8	400	
5H66	H,J,K,L,M‡	56 x 25 x 8	400	
5H80	H,J,K,L,M	75 x 32 x 10	800	5H80-588(*)
5H86	J,K,M‡,N‡	75 x 32 x 10	800	
5H120	K,L,M,N,O	75 x 32 x 10	800	
5H126	L,M,N,O,P	75 x 32 x 10	800	

(\*) Select motor drilling from chart above to complete part number.

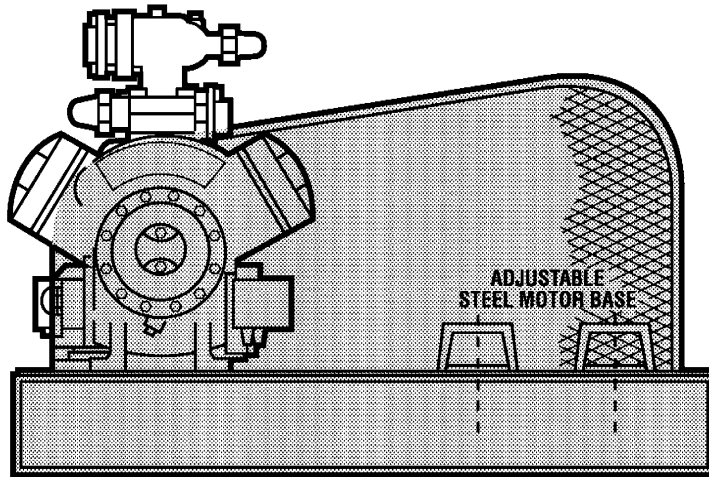
For Example; when SF20-515A is selected the base will be drilled to accept a 5 H.P.,184T frame motor.

‡ 5H66, 80, 86 with 100 H.P. motor and 5H86 with 125 H.P. motor require (2) 5H40-1422 compressor blocks

**Note:** For base drilling code selections "H" thru "N", an "S" placed at the end of the part number indicates a base drilling for a short shaft motor/TS Frame. (For example; P/N 5H40-588HS is a 5H40-588 base drilled to accept a 324TS frame motor).



## BELT DRIVE UNIT BASES



- Heavy duty channeled steel base
- Belt guard included
- Compressor mounting holes are pre-drilled.
- An adjustable steel motor base facilitates motor positioning. Select adjustable motor base from the chart below:

### ADJUSTABLE MOTOR BASE CODE CHART

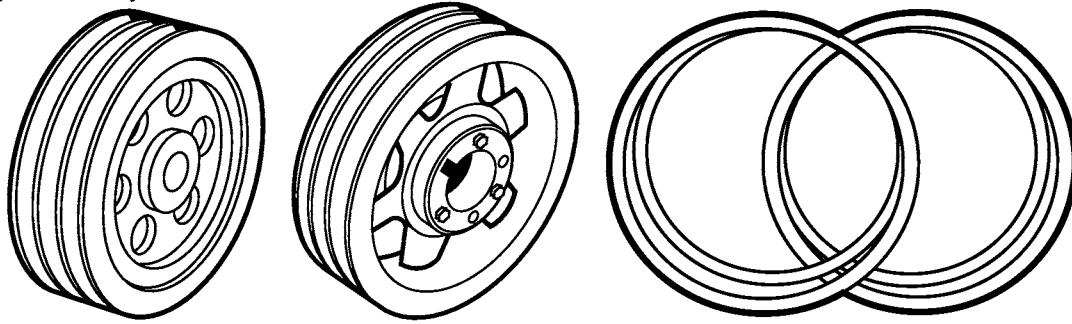
CODE	H.P.	FRAME	CODE	H.P.	FRAME	CODE	H.P.	FRAME
A	5	184T	F	25	284T	L	75	365T
B	7.5	213T	G	30	286T	M	100	404T
C	10	215T	H	40	324T	N	125	405T
D	15	254T	J	50	326T			
E	20	256T	K	60	364T			

COMPRESSOR USED WITH	MOTOR DRILLING SELECTION	BASE SIZE (L x W x H)	APPROX. BASE WEIGHT	DIRECT DRIVE UNIT BASE RCD P/N
5F20	A,B,C	37 x 16 x 11	150	5F20-238(*)
5F30	B,C,D	37 x 16 x 11	150	
5F40	B,C,D,E,F	48 x 22 x 6	250	5F40-408(*)
5F60	C,D,E,F,G	48 x 22 x 6	250	
5H40	E,F,G,H,J	56 x 25 x 8	440	5H40-598(*)
5H60	G,H,J,K,L	56 x 25 x 8	440	
5H80	H,J,K,L,M	75 x 32 x 10	625	5H60-974(*)
5H120	K,L,M,N	75 x 32 x 10	625	

(\*) Select motor drilling from chart above to complete part number  
 For Example; when 5F20-238A is selected the adjustable motor base will accept a 5 H.P., 184T frame motor.

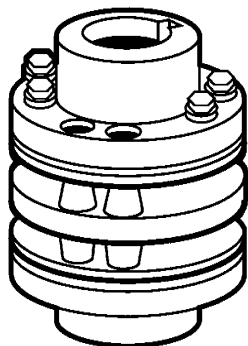
# 5F & 5H COMPRESSOR DATA AND ACCESSORY GUIDE

## FLYWHEEL, PULLEY, BELTS



COM-PRESSOR MODEL	MOTOR H.P.	MOTOR FRAME SIZE	MOTOR SHAFT DIA. (IN.)	COM-PRESSOR RPM	CENTER TO CENTER (IN.)	FLYWHEEL			PULLEY			BELTS		
						RCD P/N	PITCH DIAMETER (IN.)	NO. OF GROOVES & TYPE	RCD P/N	PITCH DIAMETER (IN.)	NO. OF GROOVES & TYPE	RCD P/N	PITCH LENGTH (IN.)	NO. OF BELTS
5F20	5	184T	1-1/8	1750	19.3	5F20-394	75	2-B	5F20-861	74	2-B	5F20-851	61.8	2-B
5F20	75	213T	1-3/8	1750	19.3	5F20-394	75	2-B	5F20-891	74	2-B	5F20-851	61.8	2-B
5F20	10	215T	1-3/8	1750	19.3	5F20-394	75	2-B	5F20-891	74	2-B	5F20-851	61.8	2-B
5F30	75	213T	1-1/8	1750	19.3	5F20-394	75	2-B	5F20-891	74	2-B	5F20-851	61.8	2-B
5F30	10	215T	1-3/8	1750	19.3	5F20-394	75	2-B	5F20-891	74	2-B	5F20-851	61.8	2-B
5F30	15	254T	1-5/8	1750	19.3	5F30-394	75	3-B	5F30-921	74	3-B	5F30-831	61.8	3-B
5F40	75	213T	1-5/8	1750	26.6	5F40-394	9.5	3-B	5F30-881	9.4	3-B	5F40-841	82.8	3-B
5F40	10	215T	1-3/8	1750	26.6	5F40-394	9.5	3-B	5F30-881	9.4	3-B	5F40-841	82.8	3-B
5F40	15	254T	1-5/8	1750	26.6	5F40-394	9.5	3-B	5F40-871	9.4	3-B	5F40-841	82.8	3-B
5F40	20	256T	1-5/8	1750	26.6	5F40-394	9.5	3-B	5F40-871	9.4	3-B	5F40-841	82.8	3-B
5F40	25	284T	1-7/8	1750	26.6	5F40-394	9.5	3-B	5F40-881	9.4	3-B	5F40-841	82.8	3-B
5F60	10	215T	1-3/8	1750	26.6	5F40-394	9.5	3-B	5F30-881	9.4	3-B	5F40-841	82.8	3-B
5F60	15	254T	1-5/8	1750	26.6	5F40-394	9.5	3-B	5F40-871	9.4	3-B	5F40-841	82.8	3-B
5F60	20	256T	1-5/8	1750	26.6	5F40-394	9.5	3-B	5F40-871	9.4	3-B	5F40-841	82.8	3-B
5F60	25	284T	1-7/8	1750	26.6	5F40-394	9.5	3-B	5F40-881	9.4	3-B	5F40-841	82.8	3-B
5F60	30	286T	1-7/8	1750	26.6	5F40-394	9.5	3-B	5F40-881	9.4	3-B	5F40-841	82.8	3-B
5H40	20	256T	1-5/8	1750	32.2	5H40-394	11.0	3-C	5H40-811	11.0	3-C	5H40-861	92.9	3-C
5H40	25	284T	1-7/8	1750	32.2	5H40-394	11.0	3-C	5H80-811	11.0	3-C	5H40-861	98.9	3-C
5H40	30	286T	1-7/8	1750	32.2	5H40-394	11.0	3-C	5H80-811	11.0	3-C	5H40-861	98.9	3-C
5H40	40	324T	2-1/8	1750	32.2	5H40-394	11.0	3-C	5H40-821	11.0	3-C	5H40-861	98.9	3-C
5H40	50	326T	2-1/8	1750	32.2	5H40-394	11.0	3-C	5H40-821	11.0	3-C	5H40-861	98.9	3-C
5H60	30	286T	1-7/8	1750	32.2	5H40-394	11.0	3-C	5H80-811	11.0	3-C	5H40-861	98.9	3-C
5H60	40	324T	2-1/8	1750	32.2	5H40-394	11.0	3-C	5H40-821	11.0	3-C	5H40-861	98.9	3-C
5H60	50	326T	2-1/8	1750	32.2	5H60-394	11.0	5-C	5H80-821	11.0	5-C	5H120-861	98.9	5-C
5H60	60	364T	2-3/8	1750	32.2	5H60-394	11.0	5-C	5H120-821	11.0	5-C	5H120-861	98.9	5-C
5H60	75	365T	2-3/8	1750	32.2	5H40-394	11.0	5-C	5H120-821	11.0	5-C	5H120-861	98.9	5-C
5H80	40	324T	2-1/8	1750	36.7	5H60-394	11.0	5-C	5H80-821	11.0	5-C	5H40-871	107.9	5-C
5H80	50	326T	2-1/8	1750	36.7	5H60-394	11.0	5-C	5H80-821	11.0	5-C	5H40-871	107.9	5-C
5H80	60	364T	2-3/8	1750	36.7	5H60-394	11.0	5-C	5H120-821	11.0	5-C	5H40-871	107.9	5-C
5H80	75	365T	2-3/8	1750	36.7	5H60-394	11.0	5-C	5H120-821	11.0	5-C	5H40-871	107.9	5-C
5H80	100	404T	2-7/8	1750	36.7	5H120-394	11.0	9-C	5H120-831	11.0	9-C	5H120-871	107.9	9-C
5H120	60	364T	2-3/8	1750	36.7	5H60-394	11.0	5-C	5H120-821	11.0	5-C	5H40-871	107.9	5-C
5H120	75	365T	2-3/8	1750	36.7	5H60-394	11.0	5-C	5H120-821	11.0	5-C	5H40-871	107.9	5-C
5H120	100	404T	2-7/8	1750	36.7	5H120-394	11.0	9-C	5H120-831	11.0	9-C	5H120-871	107.9	9-C
5H120	125	405T	2-7/8	1750	36.7	5H120-394	11.0	9-C	5H120-831	11.0	9-C	5H120-871	107.9	9-C

## FLEXIBLE STEEL COUPLINGS FOR DIRECT DRIVE UNITS

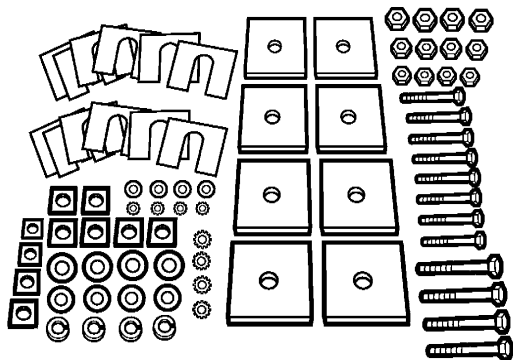


**NOTE:** A Dial Indicator must be used to properly align the compressor and motor shafts for reliable operation.

COMPRESSOR MODEL	MOTOR H.P.	MOTOR FRAME SIZE	MOTOR SHAFT DIA. (IN.)	MAXIMUM COUPLING H.P. RATING	WT. (LBS.)	RCD P/N
5F20, 30	7-1/2, 10	213T, 215T	1.375	11.5	10.5	5F20-847
	15	254T	1.625	17.5	10.5	5F30-847
5F40, 60	7-1/2, 10	213T, 215T	1.375	17.5	15	5F40-603
	15	254T	1.625	17.5	15	5F40-623
	20	256T	1.625	30.0	21	5F60-623
	25, 30	284T, 286T	1.875	34.5	21	5F60-613
5H40, 46	20	256T	1.625	34.5	21	5H40-613
	25, 30	284T, 286T	1.875	65	24	5H60-613
	40, 50, 60	324TS, 326TS, 364TS	1.875	65	24	5H60-613
	40, 50	324T, 326T	2.125	65	24	5H60-623
	60	364T	2.375	86	30	5H80-613
	30	286T	1.875	65	24	5H60-613
5H60, 66	40, 50, 60	324TS, 326TS, 364TS	1.875	65	24	5H60-613
	40, 50	324T, 326T	2.125	65	24	5H60-623
	60, 75	364T, 365T	2.375	86	30	5H80-613
	75	365TS	1.875	86	30	5H80-663
	100	404TS	2.125	150	35	5H120-623
5H80, 86	40, 50, 60	324TS, 326TS, 364TS	1.875	65	24	5H60-613
	40, 50	324T, 326T	2.125	65	24	5H60-623
	60, 75	364T, 365T	2.375	86	30	5H80-613
	75	365TS	1.875	86	30	5H80-663
	100	404TS, 405TS	2.125	150	35	5H120-623
5H120, 126	60	364TS	1.875	65	24	5H60-613
	60, 75	364T, 365T	2.375	86	30	5H80-613
	75	365TS	1.875	86	30	5H80-663
	100, 125	404TS, 405TS	2.125	150	35	5H120-623
	150, 200	444TS, 445TS	2.375	200	40	5H126-623*

\* When 5H126-623 coupling is used with a 404T or 405T frame motor, field boring is required. Enlarge motor bore to 2.875/2.8755 in. diameter. Increase Keyway size to 3/4 x 3/8 in.

## MOTOR FASTENING KITS FOR DIRECT DRIVE APPLICATIONS



Motor Fastening Kit includes steel blocks and shims to align motor shaft to compressor shaft, hardware to attach motor to base and tapered dowel pins to pin motor to base and lock in alignment.

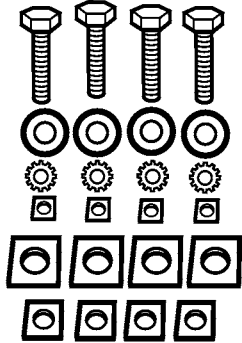
COMPRESSOR MODEL	COMPRESSOR SHAFT HT. (IN.)	MOTOR H.P.	MOTOR FRAME SIZE	MOTOR SHAFT HT. (IN.)	RCD P/N
5F20, 30	6-1/4	7-1/2, 10	213T, 215T	5-1/4	5F40-401A
		15	254T	6-1/4	5F40-401B
5F40, 60	8	7-1/2, 10	213T, 215T	5-1/4	5F40-801
		15, 20	254T, 256T	6-1/4	5F40-401
		25, 30	284T, 286T	7	5F40-401
5H40, 46	9	20	256T	6-1/4	5F40-801
		25, 30	284T, 286T	7	5H40-401
		40, 50	324, 326 T/TS	8	5F40-401
		60, 75	364, 365 T/TS	9	5F60-401
5H60, 66	9	30	286T	7	5H40-401
		40, 50	324, 326 T/TS	8	5F40-401
		60, 75	364, 365 T/TS	9	5F60-401
5H80, 86	9	100	404 T/TS	10	5F60-401
		40, 50	324, 326, T/TS	8	5F40-401
		60, 75	364, 365 T/TS	9	5F60-401
5H120, 126	11	100, 125	404, 405 T/TS	10	5F60-401
		60, 75	364, 365 T/TS	9	5H40-401
		150, 200	444, 445 TS	11	5F60-401

Motor Fastening Kit approximate shipping weight is 42 lbs.

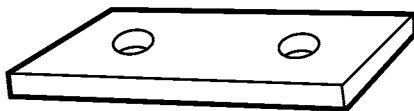
# 5F & 5H COMPRESSOR DATA AND ACCESSORY GUIDE

## MOTOR FASTENING KIT FOR BELT DRIVE APPLICATIONS

Motor Fastening Kit attaches motor to base.  
Kit includes: bolts, nuts and washers.



COMPRESSOR MODEL	MOTOR SIZE	MOTOR FRAME SIZE	RCD P/N
5F20, 30	5, 7-1/2, 10	184T, 213T, 215T	5F20-821
5F30	15	254T	5F30-821
5F40, 60	7-1/2, 10	213T, 215T	5F20-821
	15, 20, 25	254T 256T, 284T	
5H40	20, 25, 30	256T 284T, 286T	5F30-821
	40, 50	324T, 326T	
5H60	40, 50	324T, 326T	5F30-821
5H60	40, 50	324T, 326T	5H40-711
	60, 75	364T, 365T	
5H80, 120	40, 50, 60, 75	324T, 326T, 364T, 365T	5H40-711
	100, 125, 150	404T, 405T, 444T	

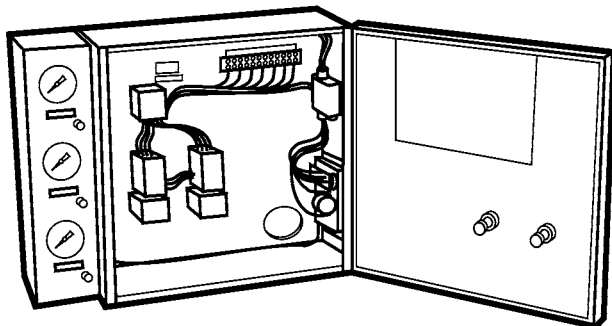


Compressor Mounting Block is used when a 5H66, 80, 86 is matched to a 100 Hp motor, or when a 5H86 is matched to a 125 Hp motor. The block raises compressor to allow alignment between compressor and motor shaft. Two blocks are required per compressor.

RCD P/N: 5H40-1422

## CONTROL PANELS

Control panels are designed for indoor use to control compressor and condensing units, from 5 thru 150 Hp, in 208 to 575 volts, across-the-line starting applications. All units operate on 120 volt control circuit.



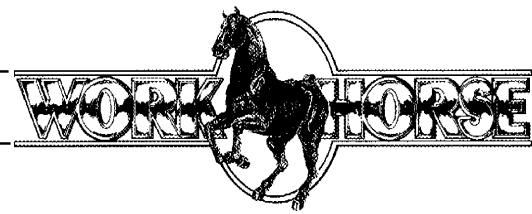
Control panel easily mounts on one end of the unit base. Simple conversion to part-winding starting on 2 contactor models by adding time delay P/N HN67ZA001. Single contactor panels require the addition of another contactor of the same size and time delay P/N HN67ZA001.

\* Single overload panels: overload dial is set at a value equal to NEC motor full load current rating and will trip at 125% of this rating. If tripping is required at 115% of NEC motor full load current rating, set the overload dial to value 0.92 times F.L.C. value.

Two overload panels: Each overload dial is set at a value equal to one half of NEC motor full load current rating and will trip at 125% of the setpoint. If tripping is required at 115% of NEC motor full load current rating, set each overload dial to value of 0.92 times one half of F.L.C. value.

### FEATURES:

- **ETL APPROVED**
- **OIL PRESSURE SAFETY SWITCH** protects compressor against damage from low oil pressure.
- **TIME GUARD®** circuit protects compressor and motor against short cycling.
- **OVERLOAD RELAY\*** manual reset.
- **SUCTION, DISCHARGE, OIL PRESSURE GAUGES** display operating conditions.
- **GAUGE SHUTOFF VALVES**
- **CAPILLARIES** supplied for pressure gauges and switches.
- **CONTACTORS**
- **TERMINAL BLOCKS** for field connections.
- **GROUNDING LUG**
- **CRANKCASE HEATER RELAY** energizes heater on compressor shut-down to prevent dilution of oil by refrigerant.
- **PUMPOUT RELAY** safeguards compressor against liquid refrigerant slugging on start-up.
- **ELAPSED RUNNING TIME METER**
- **WIRE ASSEMBLIES** provided in conduit are used to connect panel box and external controls to a junction box (provided).
- **FUSE, ON-OFF SWITCH, NEMA ENCLOSURE**
- **HINGED COVER**
- **HEAVY DUTY PANEL MOUNTING BASE** is provided. Can be welded to compressor base or attached with supplied hardware.



## CONTROL PANELS

H.P.	MOTOR		CONTACTOR		OVERLOAD		LUG WIRE RANGE (AWG)	APPROX. SHIP WEIGHT (LBS)	CONTROL PANEL P/N:
	NEC AMPS (FLA)*	VOLTS	RATING (AC3)+	QTY	AMP RANGE	QTY			
5	17.5	208	28	1	13-19	1	12-8	115	32CF131A4
	15.2	230	17	1	13-19	1	18-10	115	32CF131A5
	7.6	460	9	1	6-8.5	1	18-10	115	32CF131A6
	6.1	575	9	1	4.5-6.5	1	18-10	115	32CF131A1
7.5	25	208	28	1	24-32	1	12-8	115	32CF132B4
	22	230	28	1	18-25	1	12-8	115	32CF132B5
	11	460	11	1	10-14	1	18-10	115	32CF131B6
	9	575	9	1	7.5-11	1	18-10	115	32CF131B1
10	32	208	32	1	29-42	1	8-4	115	32CF142C4
	28	230	32	1	24-32	1	8-4	115	32CF142C5
	14	460	17	1	13-19	1	18-10	115	32CF131C6
	11	575	11	1	10-14	1	18-10	115	32CF131C1
15	48	208	54	1	36-52	1	8-1	115	32CF153D4
	42	230	41	1	36-52	1	8-1	115	32CF153D5
	21	460	28	1	18-25	1	12-8	115	32CF132D6
	17	575	17	1	13-19	1	18-10	115	32CF131D1
20	62	208	65	1	45-63	1	8-1	115	32CF242E4
	54	230	54	1	45-63	1	8-1	115	32CF242E5
	27	460	32	1	24-32	1	8-4	115	32CF142E6
	22	575	28	1	18-25	1	12-8	115	32CF142E1
25	78	208	80	1	60-80	1	8-1	130	32CF243F4
	68	230	80	1	60-80	1	8-1	130	32CF242F5
	34	460	41	1	29-42	1	8-4	115	32CF152F6
	27	575	28	1	24-32	1	12-8	115	32CF152F1
30	92	208	95	1	80-110	1	6-2/0	130	32CF253G4
	80	230	80	1	60-80	1	8-1	130	32CF243G5
	40	460	41	1	29-42	1	8-4	115	32CF231G6
	32	575	32	1	29-42	1	8-4	115	32CF141G1
40	120	208	130	1	100-135	1	8-3/0	130	32CF263H4
	104	230	110	1	80-110	1	6-2/0	130	32CF263H5
	52	460	54	1	45-63	1	8-1	115	32CF242H6
	41	575	41	1	29-42	1	8-4	115	32CF241H1
50	150	208	156	1	130-175	1	8-250MCM	130	32CG273J4
	130	230	130	1	100-135	1	8-3/0	130	32CG273J5
	65	460	65	1	60-80	1	8-1	130	32CF242J6
	52	575	54	1	45-63	1	8-1	115	32CF242J1
60	177	208	192	1	150-200	1	6-250MCM	130	32CH295K4
	154	230	156	1	130-175	1	8-250MCM	130	32CH295K5
	77	460	80	1	60-80	1	8-1	130	32CF253K6
	62	575	65	1	60-80	1	8-1	130	32CF252K1
75	221	208	242	1	220-310	1	4-500MCM	130	32CH205L4
	192	230	192	1	150-200	1	6-250MCM	130	32CH205L5
	96	460	110	1	80-110	1	6-2/0	130	32CF263L6
	77	575	95	1	80-110	1	6-2/0	130	32CF263L1
100	285	208	156	2	110-150	2	6-350MCM	130	32C1216M4
	248	230	130	2	100-135	2	6-350MCM	130	32C1216M5
	124	460	130	1	100-135	1	8-3/0	130	32CH274M6
	99	575	110	1	80-110	1	6-2/0	130	32CF273M1
125	358	208	192	2	150-200	2	6-350MCM	130	32C1227N4
	312	230	156	2	130-175	2	6-350MCM	130	32C1227N5
	156	460	156	1	130-175	1	8-250MCM	130	32C1205N6
	125	575	130	1	100-135	1	8-3/0	130	32C1225N1
150	415	208	242	2	165-235	2	2-600MCM	130	32CJ217P4
	360	230	192	2	150-200	2	6-350MCM	130	32CJ227P5
	180	460	192	1	150-200	1	6-250MCM	130	32CJ205P6
	144	575	156	1	110-150	1	8-250MCM	130	32CJ284P1
200	550	208	302	2	220-310	2	2-600MCM	130	32CJ218Q4
	480	230	242	2	220-310	2	2-600MCM	130	32CJ218Q5
	240	460	242	1	220-310	1	4-500MCM	130	32CJ216Q6
	192	575	192	1	150-200	1	6-250MCM	130	32CJ205Q1

\* From the National Electrical Code based on motor horsepower and voltage.

+ AC3 rating is an IEC (International Electrical Code) rating per U.L. standards. The contactors supplied with the panels are not definite purpose contactors. They are specific to motor switching circuits.

The information presented in the table above is for the current control panels offered through RCD.

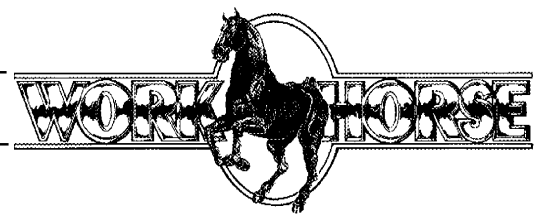
# 5F & 5H COMPRESSOR DATA AND ACCESSORY GUIDE

## COMPRESSOR CROSS REFERENCE DATA

**CAUTION:** These suggested service replacement compressors are possible substitutes for the listed competitive compressor models. Understand, due to the many possible variations and applications, the RCD suggested replacement may not be a direct substitution. The RCD compressors were matched to the competitive compressor based on general compressor parameters (horsepower, cfm, drive, and mechanical similarities, etc.). Know the application, electrical requirements, mounting and physical limitations before recommending a service replacement.

MANUFACTURER	MODEL #	HP	NOTES	CARLYLE REPLACEMENT
Bristol	H2NG124	—	Hermetic	06DM824
Bristol	H2NG144	—	Hermetic	06DX328
Bristol	H2NG184	—	Hermetic	06DX537
Bristol	H2NG204	—	Hermetic	06ET250
Chrysler	2000-00	100	Open Drive	5H120
Chrysler	2020-00	20	Open Drive	5F60
Chrysler	2025-00	25	Open Drive	5F60
Chrysler	2030-00	30	Open Drive	5H40
Chrysler	2040-00	40	Open Drive	5H46
Chrysler	2050-00	50	Open Drive	5H60
Chrysler	2060-00	60	Open Drive	5H66
Chrysler	2075-00	75	Open Drive	5H80
Chrysler	3000-01	100	Semi-Hermetic	06LH228
Chrysler	300401	4	Hermetic	06DM313
Chrysler	3005-01	5	Hermetic	06DM316
Chrysler	3009-04	9	Hermetic	06DX328
Chrysler	3011-1	11	Hermetic	06DX328
Chrysler	3013-01P	13	Hermetic	06DX328
Chrysler	3013-02	13	Hermetic	06DX328
Chrysler	3015-1	15	Semi-Hermetic	06DX537
Chrysler	3015-11	15	Semi-Hermetic	06DX537
Chrysler	3019-00R	19	Hermetic	06E( )250
Chrysler	3019-01R	19	Hermetic	06E( )250
Chrysler	3019-02	19	Hermetic	06E( )250
Chrysler	3019-02R	19	Hermetic	06E( )250
Chrysler	3019-02Z	19	Hermetic	06E( )250
Chrysler	3025-00	25	Semi-Hermetic	06EZ175
Chrysler	3030-00	30	Semi-Hermetic	06ET275
Chrysler	3030-02	30	Semi-Hermetic	06ET275
Chrysler	3040	40	Semi-Hermetic	06EX299
Chrysler	3050	50	Semi-Hermetic	06LH214
Chrysler	3060-01	60	Remove 1 Suction Ring 1st to Unload	06LH218
Chrysler	3060-1	60	Remove 1 Suction Ring 1st to Unload	06LH218
Chrysler	3075	75	Semi-Hermetic	06LH218
Copeland	2DA3-0500	5	R-12 Med. Temp.	06DR718
Copeland	2DA3-0600	6	R-502 Low Temp. Cylinder Head Cooling Fan Req.	06DR820
Copeland	2DA3-0750	7.5	R-502 Med. Temp.	06DR820
Copeland	2DA3-0750	7.5	R-22 A/C Duty	06DM818
Copeland	2DB3-0500	5	R-12 Med. Temp.	06DR820
Copeland	2DB3-0600	6	R-502 Low Temp. Cylinder Head Cooling Fan Req.	06DR820
Copeland	2DC3-0500	5	R-502 Med. Temp.	06DM313
Copeland	2DC3-0500	5	R-22 A/C Duty	06DM313
Copeland	2DD3-0500	5	R-502 Med. Temp.	06DM313
Copeland	2DD3-0500	5	R-22 A/C Duty	06DM313
Copeland	2DF3-0300	3	R-12 Med. Temp.	06DM/DR316
Copeland	2DF3-0300	3	R-502 Low Temp. Cylinder Head Cooling Fan Req.	06DR316
Copeland	2DL3-0750	7.5	R-502 Med. Temp.	06DR820





MANUFACTURER	MODEL #	HP	NOTES	CARLYLE REPLACEMENT
Copeland	2DL3-0750	8	R-22 A/C Duty	06DM818
Copeland	3DA3-0500	5	R-12 Med. Temp.	06DR724
Copeland	3DA3-0600	6	R-502 Low Temp. Cylinder Head Cooling Fan Req.	06DR724
Copeland	3DA3-0750	7.5	R-502 Med. Temp.	06DR724
Copeland	3DA3-0750	8	R-22 A/C Duty	06DM824
Copeland	3DB3-0750	7.5	R-12 Med. Temp.	06DR228
Copeland	3DB3-0750	7.5	R-502 Low Temp. Cylinder Head Cooling Fan Req.	06DR228
Copeland	3DB3-1000	10	R-502 Med. Temp.	06DR228
Copeland	3DB3-1000	10	R-22 A/C Duty	06DX328
Copeland	3DF3-0900	9	R-12 Med. Temp.	06DM/DR337
Copeland	3DF3-0900	9	R-502 Low Temp. Cylinder Head Cooling Fan Req.	06DR337
Copeland	3DS3-1000	10	R-12 Med. Temp.	06DM/DR337
Copeland	3DS3-1000	10	R-502 Low Temp. Cylinder Head Cooling Fan Req.	06DR337
Copeland	3DS3-1500	15	R-502 Med. Temp.	06DM337
Copeland	3DS3-1500	15	R-22 A/C Duty	06DM537
Copeland	3RA1-0310	3	R-502 Med. Temp.	06DM313
Copeland	3RA1-0310	3	R-22 A/C Duty	06DM313
Copeland	3RK2-0310	3	R-12 Med. Temp.	06DR013
Copeland	4DA1-1000	10	R-502 Low Temp. Cylinder Head Cooling Fan Req.	06EY150
Copeland	4DA1-1000	10	R-12 Med. Temp.	06EY/EZ150
Copeland	4DA1-2000	20	R-502 Med. Temp.	06EZ150
Copeland	4DH1-2000	20	R-502 Med. Temp.	06EZ150
Copeland	4DH1-1500	15	R-12 Med. Temp.	06EY/EZ150
Copeland	4DH1-2500	25	R-22 A/C Duty	06ET250
Copeland	4DH1-2500	25	R-502 Med. Temp.	06ET265
Copeland	4DJ1-2000	20	R-12 Med. Temp.	06EY165
Copeland	4DJ1-3000	30	R-22 A/C Duty	06ET265
Copeland	4DJ1-3000	30	R-502 Med. Temp.	06ET265
Copeland	4DL1-1500	15	R-502 Low Temp. Cylinder Head Cooling Fan Req.	06EY150
Copeland	4DR1-3000	30	R-22 A/C Duty	06ET265
Copeland	4DT1-2200	22	R-502 Low Temp. Cylinder Head Cooling Fan Req.	06EY165
Copeland	4RA3-1000	10	R-502 Low Temp. Cylinder Head Cooling Fan Req.	06DR337
Copeland	4RA3-1000	10	R-12 Med. Temp.	06DM337
Copeland	4RA3-2000	20	R-22 A/C Duty	06ET250
Copeland	4RA3-2000	20	R-502 Med. Temp.	06EZ150
Copeland	4RE2-2000	20	R-22	06D( )537
Copeland	4RH1-1500	15	R-12 High Temp.	06EZ150
Copeland	4RH1-1500	15	R-12 Med. Temp.	06EY150
Copeland	4RH1-2500	25	R-22 A/C Duty	06ET250
Copeland	4RH1-2500	25	R-22 Med. Temp.	06EZ150
Copeland	4RH1-2500	25	R-502 Med. Temp.	06EZ150
Copeland	4RH2-2500	25	R-502 Med. Temp.	06EZ150
Copeland	4RJ1-3000	30	R-22 A/C Duty	06ET265
Copeland	4RJ2-3000	30	R-22 A/C Duty	06ET265
Copeland	4RK1-2500	25	R-22 A/C Duty	06ET250
Copeland	4RK2-1500	15	R-12 Med. Temp.	06EZ150
Copeland	4RK2-2500	25	R-22 A/C Duty	06ET250
Copeland	4RL1-1500	15	R-502 Low Temp. Cylinder Head Cooling Fan Req.	06EY150
Copeland	4RR1-3000	30	R-22 A/C Duty	06ET265
Copeland	4RR2-3000	30	R-22 A/C Duty	06ET265
Copeland	6DH1-2000	20	R-12 Med. Temp.	06EY/EZ175
Copeland	6DH1-3500	35	R-22 A/C Duty	06ET275
Copeland	6DH1-3500	35	R-502 Med. Temp.	06EZ199
Copeland	6DJ1-4000	40	R-22 A/C Duty	06ET299
Copeland	6DJ1-4000	40	R-502 Med. Temp.	06EZ199
Copeland	6DL1-2700	27	R-502 Low Temp. Cylinder Head Cooling Fan Req.	06EY175
Copeland	6DT1-3000	30	R-502 Low Temp. Cylinder Head Cooling Fan Req.	06EY099
Copeland	6DR1-4000	40	R-22 A/C Duty	06ET299

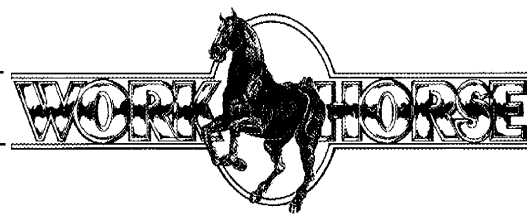
**NOTE:** SEE CAUTION ON PAGE #18.

# 5F & 5H COMPRESSOR DATA AND ACCESSORY GUIDE

## COMPRESSOR CROSS REFERENCE DATA (continued)

MANUFACTURER	MODEL #	HP	NOTES	CARLYLE REPLACEMENT
Copeland	6DS1-4000	40	R-22 A/C Duty	06ET299
Copeland	6RA4-2000	20	R-12 Med. Temp.	06EY165
Copeland	6RA4-3000	30	R-502 Med. Temp.	06ET265
Copeland	6RE2-3000	30	R-22 A/C Duty	06ET265
Copeland	6RH1-2000	20	R-12 Med. Temp.	06EY175
Copeland	6RH1-3500	35	R-502 Med. Temp.	06EZ175
Copeland	6RH1-3500	35	R-12 High Temp.	06EZ175
Copeland	6RH1-3500	35	R-502 Low Temp., Cylinder Head Cooling Fan Req.	06EY175
Copeland	6RH1-3500	35	R-22 A/C Duty	06ET275
Copeland	6RJ1-4000	40	R-502 Med. Temp.	06EZ175
Copeland	6RJ1-4000	40	R-502 Med. Temp.	06EZ199
Copeland	6RJ1-4000	40	R-22 A/C Duty	06ET299
Copeland	6RJ1-4000	40	R-22 Med. Temp.	06EZ199
Copeland	6RK2-3500	35	R-22 A/C Duty	06ET275
Copeland	6RL1-2500	25	R-502 Low Temp., Cylinder Head Cooling Fan Req.	06EY175
Copeland	6RN2-3000	30	R-22 A/C Duty	06ET265
Copeland	6RP2-3500	35	R-22 A/C Duty	06ET275
Copeland	6RR2-4000	40	R-22 A/C Duty	06ET299
Copeland	6RS2-4000	40	R-22 A/C Duty	06ET299
Copeland	6RT1-3000	30	R-502 Low Temp. Cylinder Head Cooling Fan Req.	06EY175
Copeland	9RA1-0500	5	R-12 Med. Temp.	06DR820
Copeland	9RA1-0505	5	R-12 Med. Temp.	06DR820
Copeland	9RA1-0760	7.5	R-12 Med. Temp.	06DR820
Copeland	9RA1-0760	7.5	R-22 Med. Temp.	06DR820
Copeland	9RB1-0500	5	—	06DR718
Copeland	9RB1-0760	7.5	R-502 Low Temp. Cylinder Head Cooling Fan Req.	06DR724
Copeland	9RB1-0760	7.5	R-12 Med. Temp.	06DR228
Copeland	9RB1-0765	7.5	—	06DR228
Copeland	9RC1-0760	7.5	R-12 Med. Temp.	06DM724
Copeland	9RC1-1010	10	R-502 Med. Temp.	06DR724
Copeland	9RC1-1010	10	R-22 A/C Duty	06DX328
Copeland	9RC1-1010	10	R-502 Med. Temp.	06DR228
Copeland	9RC1-1015	10	R-502 Med. Temp.	06DR724
Copeland	9RC1-1015	10	R-22 A/C Duty	06DX328
Copeland	9RJ1-0500	5	R-12 Semi-Hermetic	06DR724
Copeland	9RN1-0760	7.5	R-22 A/C Duty	06DM818
Copeland	9RP2-0760	7.5	R-12 Med. Temp.	06DM724
Copeland	9RP2-1010	10	R-22 A/C Duty	06DX328
Copeland	9RS1-1500	15	R-22 A/C Duty	06DX537
Copeland	9RS1-1500	15	R-502 Med. Temp.	06DR228
Copeland	9RS2-0760	7.5	R-12 Med. Temp., R-502 Low Temp.	06DR337
Copeland	9RS3-0760	7.5	R-12 Med. Temp.	06DR228
Copeland	9RS3-0760	7.5	R-502 Low Temp. Cylinder Head Cooling Fan Req.	06DR228
Copeland	9RS3-1010	10	R-12 Med. Temp.	06DM337
Copeland	9RS3-1010	10	R-502 Low Temp. Cylinder Head Cooling Fan Req.	06DR228
Copeland	9RT1-1500	15	R-22 A/C Duty	06DX537
Copeland	9RT1-1505	15	R-22 A/C Duty	06DX537
Copeland	EAD1-0200	2	R-502 Low Temp. Cylinder Head Cooling Fan Req.	06DR109
Copeland	EAL2-0200	2	R-12 Med. Temp.	06DR109
Copeland	EAV1-0200	2	R-12 Med. Temp.	06DR109
Copeland	EAV1-0200	2	R-502 Low Temp. Cylinder Head Cooling Fan Req.	06DR109
Copeland	ERC1-0200	2	R-502 Med. Temp.	06DM808
Copeland	ERC1-0200	2	R-22 Med. Temp.	06DM808
Copeland	ERC2-0200	2	R-502 Med. Temp.	06DM808
Copeland	ERF1-0310	3	R-502 Med. Temp.	06DM808
Copeland	ERF1-0310	3	R-22 Med. Temp.	06DM808
Copeland	ERF1-0310	3	R-22 A/C Duty	06DM808
Copeland	ERJ2-0200	2	R-12 Med. Temp.	06DR109

**NOTE:** SEE CAUTION ON PAGE #18.



MANUFACTURER	MODEL #	HP	NOTES	CARLYLE REPLACEMENT
Copeland	ERJ2-0200	2	R-502 Med. Temp.	06DR109
Copeland	LAC1-0310	3	R-12 Med. Temp.	06DR013
Copeland	LAC1-0310	3	R-502 Low Temp., Cylinder Head Cooling Fan Req.	06DR013
Copeland	LAH1-0310	3	R-12 Med. Temp.	06DR013
Copeland	LAH1-0310	3	R-502 Low Temp. Cylinder Head Cooling Fan Req.	06DR109
Copeland	LAL1-0310	3	R-12 Med. Temp.	06DR013
Copeland	MRA2-0500	5	R-502 Low Temp. Cylinder Head Cooling Fan Req.	06DR316
Copeland	MRA2-0500	5	R-12 Med. Temp.	06DM316
Copeland	MRA2-0500	5	R-12 Med. Temp.	06DR316
Copeland	MRB1-0500	5	R-12 Med. Temp.	06DR718
Copeland	MRF2-0500	5	R-12 High Temp.	06DM316
Copeland	MRF2-0500	5	R-12 Med. Temp.	06DR316
Copeland	MRH2-0760	7.5	R-22 A/C Duty	06DM818
Copeland	MRH4-0760	7.5	R-502 Med. Temp.	06DR718
Copeland	MRH4-0760	7.5	R-22 Med. Temp.	06DR718
Copeland	MRH4-0760	8	R-22 A/C Duty	06DM818
Copeland	NRA2-0500	5	R-22 A/C Duty	06DM313
Copeland	NRB2-0310	3	R-12 Med. Temp.	06DR109
Copeland	NRB2-0400	4	R-22 A/C Duty	06DM313
Copeland	NRB2-0400	4	R-22 Med. Temp.	06DM313
Copeland	NRD1-0310	3	R-12 Med. Temp.	06DR013
Copeland	NRD1-0310	3	R-502 Low Temp. Cylinder Head Cooling Fan Req.	06DR013
Copeland	NRM1-0500	5	R-12 Med. Temp.	06DM316
Copeland	NRM1-0500	5	R-502 Med. Temp.	06DM316
Dunham-Bush	100PHF	10	R-502 Med. Temp.	06DM824
Dunham-Bush	100PHF	10	—	06DX824
Dunham-Bush	105DLN	—	Open Drive	5F60
Dunham-Bush	205DLFN	—	Open Drive	5F60
Dunham-Bush	111PHF/CF	10	R-22 A/C Duty	06DX328
Dunham-Bush	1015BHF6V5HBJ6C	—	—	06LH214
Dunham-Bush	1210BHF6L5HBJ0C	—	—	06LH218
Dunham-Bush	150PHF	15	—	06DX537
Dunham-Bush	151PHF	15	—	06DX537
Dunham-Bush	151PHFCF-BG	15	—	06DM537
Dunham-Bush	151PHF/CF	15	—	06DX537
Dunham-Bush	151UPHF/CF	15	—	06DX537
Dunham-Bush	154PHC/ELF	15	—	06DX537
Dunham-Bush	15C/ELF	—	—	06DR109
Dunham-Bush	200PHF	20	—	06DX537
Dunham-Bush	200UPHF	20	—	06ET250
Dunham-Bush	201PHF/CF	17.5	R-22 A/C Duty	06ET250
Dunham-Bush	204PHF	20	R-502 Med. Temp.	06EZ150
Dunham-Bush	204PHF	20	—	06ET250
Dunham-Bush	204PHF/CF	20	R-22 A/C Duty	06ET250
Dunham-Bush	204PHF-CF-BZ	20	—	06ET250
Dunham-Bush	204PHF/BZ	20	—	06EX150
Dunham-Bush	20C/ELF	—	—	06DR109
Dunham-Bush	20H/CF/LF	—	—	06DM808
Dunham-Bush	20L	2	R-12 Low Temp. Semi-Hermetic	06DR109
Dunham-Bush	20LF	2	R-502 Low Temp.	06DR109
Dunham-Bush	255HNF	25	—	06ET250
Dunham-Bush	256DCLFN	—	—	5F60
Dunham-Bush	257LFN	25	R-502 Low Temp.	06EY175
Dunham-Bush	258DCLFN	—	—	5H40
Dunham-Bush	306HF	30	R-22 A/C Duty	06EX265
Dunham-Bush	307CFN	30	R-22 Med. Temp.	06ET275
Dunham-Bush	308LFN	30	—	06ET275
Dunham-Bush	308DLFN	30	R-502 Low Temp. Open Drive	5H40

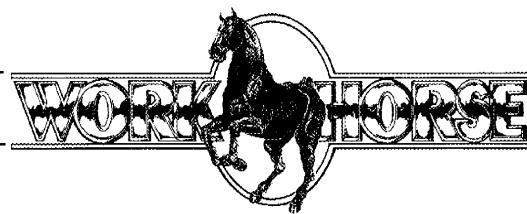
**NOTE:** SEE CAUTION ON PAGE #18.

# 5F & 5H COMPRESSOR DATA AND ACCESSORY GUIDE

## COMPRESSOR CROSS REFERENCE DATA (continued)

MANUFACTURER	MODEL #	HP	NOTES	CARLYLE REPLACEMENT
Dunham-Bush	30C/ELF	3	—	06DR013
Dunham-Bush	30ELF	3	R-502 Low Temp.	06DR316
Dunham-Bush	30HF	3	R-22 A/C Duty, R-502 Med. Temp.	06DM808
Dunham-Bush	30LF	3	R-502 Low Temp.	06DR013
Dunham-Bush	32C	3	R-12 Med. Temp.	06DR013
Dunham-Bush	32ELF	3	R-502 Med. Temp.	06DM313
Dunham-Bush	32ELF	3	R-502 Low Temp.	06DR316
Dunham-Bush	357HF	35	R-22 A/C Duty	06EX275
Dunham-Bush	408HF	40	R-22 A/C Duty	06ET299
Dunham-Bush	50C	5	R-12 Med. Temp.	06DR824
Dunham-Bush	50DC/ELF	5	R-12 Med. Temp., R-502 Low Temp.	06DR718
Dunham-Bush	50H	5	R-12 High Temp.	06DM818
Dunham-Bush	50LF	5	R-502 Low Temp.	06DR316
Dunham-Bush	509HEN	50	—	06EX299
Dunham-Bush	509HF	50	Semi-Hermetic	06EX299
Dunham-Bush	511DCLF	50	—	5H46
Dunham-Bush	511HF	50	—	06LH214
Dunham-Bush	75CF	7.5	—	06DM818
Dunham-Bush	75DPC/ELF	7.5	R-12 Med. Temp., R-502 Low Temp.	5F40
Dunham-Bush	75DPL	7.5	R-12 Low Temp.	5F40
Dunham-Bush	75HF	7.5	—	06DM818
Dunham-Bush	76PH/C/LF	7.5	R-502	06DR228
Dunham-Bush	76PH/C/LF	7.5	R-12	06DR724
Dunham-Bush	A5HH/C	—	Semi-Hermetic	06ET275
Dunham-Bush	B3HHC	—	Semi-Hermetic	06ET275
Dunham-Bush	B4HHC	—	—	06ET299
Frick	MCM-4A	—	Open Drive	5H46
Frick	MCM-4B	—	Open Drive	5H40
Frick	MCM-6A	—	Open Drive	5H80
Frick	MCM-6B	—	Open Drive	5H60
Frick	MCM-8A	—	Open Drive	5H86
Frick	MCM-8B	—	Open Drive	5H80
Lennox	L2A18024G-A3	—	Hermetic	06DX537
Lennox	L2B12724L-B3	—	Hermetic	06DX328
Lennox	L2B12724L-B4	—	Hermetic	06DX328
Lennox	L2D12724F-C4	—	Hermetic	06DX328
Lennox	L2D12724L-C5	—	Hermetic	06DX328
Lennox	L2D1272AZ-B1	—	Hermetic	06DX328
Lennox	L6A18024G-A2	—	Hermetic	06DX537
Prestcold	E036C100	—	Open Drive	5H40
Prestcold	E2027C4	—	Open Drive	5H40
Prestcold	E2027X2	—	—	06ET265
Prestcold	E2050C1	—	Open Drive	5H46
Prestcold	R2120P	—	R-502 Low Temp.	06DR228
Prestcold	R2120P	—	R-12 Med. Temp.	06DM337
Tecumseh	CJ	—	Open Drive	5F20
Tecumseh	CK	—	Open Drive	5F40
Tecumseh	CM	—	Open Drive	5F60
Trane	1E5( )48	30	R-12 Med. Temp. and A/C Duty, Remove 1 Suction Ring	06LH114
Trane	1E5( )58	40	R-12 Med. Temp. and A/C Duty	06LH114
Trane	1E5( )68	50	R-12 Med. Temp. and A/C Duty	06LH118
Trane	1E5( )88	60	R-12 Med. Temp. and A/C Duty, Remove 1 Suction Ring	06LH128
Trane	1F5( )88	25	R-12 Med. Temp. and A/C Duty	06EZ199
Trane	2B514	—	Open Drive	5F40
Trane	2B516	—	Open Drive	5F60
Trane	2B518	—	Open Drive	06ET275
Trane	2E5( )48	50	R-22 A/C Duty, Remove 1 Suction Ring	06LH214
Trane	2E5( )58	60	Semi-Hermetic	06LH214

**NOTE:** SEE CAUTION ON PAGE #18.



MANUFACTURER	MODEL #	HP	NOTES	CARLYLE REPLACEMENT
Trane	2E5( )68	75	R-22 A/C Duty	06LH218
Trane	2E5F81	—	R-22 A/C Duty, Remove 2 Suction Ring Valves	06LH228
Trane	2E5J81N	—	R-22 A/C Duty, Remove 2 Suction Ring Valves	06LH228
Trane	2E5( )88	100	R-22 A/C Duty, Remove 2 Suction Ring	06LH228
Trane	2F5( )38	15	Semi-Hermetic	06D( )537
Trane	2F5( )48	20	Semi-Hermetic	06ET250
Trane	2F5( )58	25	Semi-Hermetic	06E( )265
Trane	2F5( )68	30	Semi-Hermetic	06ET275
Trane	2F5( )69	30	R-22 Semi-Hermetic	06ET275
Trane	2F5( )88	40	Semi-Hermetic	06ET299
Trane	3E5( )40	—	Open Drive, Do Not Belt Drive	5H46
Trane	3E5( )50	—	Open Drive	5H60
Trane	3E5( )60	—	Open Drive	5H66
Trane	3E5( )80	—	Open Drive	5H86
Trane	3F5( )30	—	Open Drive	5F40
Trane	3F5( )60	—	Open Drive	06ET275
Trane	3F5( )80	—	Open Drive	5H40
Trane	A514	—	Open Drive, Do Not Belt Drive	5H46
Trane	A516	—	Open Drive, Do Not Belt Drive	5H66
Trane	CRHK-200A	—	R-22 Hermetic	06ET250
Trane	CRHK-300T	—	R-22 Hermetic	06ET275
Trane	CRHM100	10	R-12 Med. Temp. and A/C Duty	06DM337
Trane	CRHM130	13	R-12 Med. Temp. and A/C Duty	06EZ150
Trane	CRHM150	15	R-22 A/C Duty	06DX537
Trane	CRHM160	—	R-22	06ET250
Trane	CRHM170	17	R-12 Med. Temp. and A/C Duty	06EY165
Trane	CRHM190	19	R-12 Med. Temp. and A/C Duty	06EZ175
Trane	CRHM200	20	R-22 A/C Duty	06ET250
Trane	CRHM200A-2B	20	Semi-Hermetic	06ET250
Trane	CRHM200A-2GAT	20	Semi-Hermetic	06ET250
Trane	CRHM200A-2J	20	Semi-Hermetic	06ET250
Trane	CRHM200B-2G	20	Semi-Hermetic	06ET250
Trane	CRHM200C-2D	20	Semi-Hermetic	06ET250
Trane	CRHM250	25	R-22 A/C Duty	06ET26S
Trane	CRHM250A-4G	25	Semi-Hermetic	06ET265
Trane	CRHM250B-3B	25	Semi-Hermetic	06ET265
Trane	CRHM300	30	R-22 A/C Duty	06ET275
Trane	CRHM300A-4GAT	30	Semi-Hermetic	06ET275
Trane	CRHM300C-4G	30	Semi-Hermetic	06ET275
Trane	CRHM300C-4JAS	30	Semi-Hermetic	06ET275
Trane	CRHM300W-4JAT	30	Semi-Hermetic	06ET275
Trane	CRHR260	26	R-12 Med. Temp. and A/C Duty	06EZ199
Trane	CRHR320	32	R-12 Med. Temp. and A/C Duty Remove 1 Suction Ring	06LH114
Trane	CRHR380	38	R-12 Med. Temp. and A/C Duty	06LH114
Trane	CRHR400	40	R-22 A/C Duty	06ET299
Trane	CRHR400A-3H	40	Semi-Hermetic	06ET299
Trane	CRHR400C-3E	40	Semi-Hermetic	06ET299
Trane	CRH400D-30	40	Semi-Hermetic	06ET299
Trane	CRHR500	50	R-22 A/C Duty, Remove 1 Suction Ring	06LH214
Trane	CRHR600	60	A/C Duty	06LH214
Westinghouse	CB065	7.5	—	06D( )328
Westinghouse	CB094	7.5	—	06DM824
Westinghouse	CB101	8	—	06DM824
Westinghouse	CB127	10	R-22 Semi-Hermetic	06D( )328
Westinghouse	CB127A1P	10	R-22 Semi-Hermetic	06D( )328
Westinghouse	CB151	15	R-22 Semi-Hermetic	06DM537
Westinghouse	CB151A1Q	15	R-22 Semi-Hermetic	06DM537
Westinghouse	CB151W	15	R-22 Semi-Hermetic	06DM537

**NOTE:** SEE CAUTION ON PAGE #18.

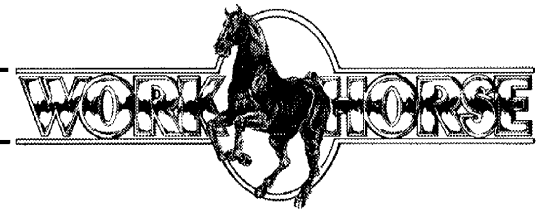
# 5F & 5H COMPRESSOR DATA AND ACCESSORY GUIDE

## COMPRESSOR CROSS REFERENCE DATA (continued)

MANUFACTURER	MODEL #	HP	NOTES	CARLYLE REPLACEMENT
Westinghouse	CB151W1Q	15	R-22 Semi-Hermetic	06DM537
Westinghouse	CC035	35	—	06ET275
Westinghouse	CC040	40	R-12 Semi-Hermetic	06EZ199
Westinghouse	CC040	40	R-22 Semi-Hermetic	06ET299
Westinghouse	CC050	50	Remove 1 Suction Ring	06LH114
Westinghouse	CC055	55	Remove 1 Suction Ring	06LH214
Westinghouse	CC060	60	—	06LH214
Westinghouse	CC070	70	Remove 1 Suction Ring	06LH118
Westinghouse	CC080	80	—	06LH218
Westinghouse	CC095	95	Remove 2 Suction Rings	06LH128
Westinghouse	CC105	105	Remove 1 Suction Ring	06LH228
Westinghouse	CC115	115	—	06LH228
Westinghouse	CD090	7.5	—	06DM818
Westinghouse	CLS51	5	R-22 Semi-Hermetic	06DM818
Westinghouse	CLS108	25	R-12 Semi-Hermetic	06EZ199
Westinghouse	CLS125	30	R-22 Semi-Hermetic	06E( )275
Westinghouse	CLS150	45	R-22 Semi-Hermetic	06ET299
Westinghouse	CLS185	60	—	06LH214
Westinghouse	CLS188	5	—	06DM818
Westinghouse	CLS282	7.5	Refrigeration Duty	06DR228
Westinghouse	CLS282	7.5	R-12 A/C Duty	06DR328
Westinghouse	CLS550	15	R-12/1150RPM	06EZ266
Westinghouse	CLS81	7.5	R-22 Semi-Hermetic	06DM818
Westinghouse	CLS850	25	R-12	06EZ199
Westinghouse	CLS86	20	—	06LH209
Worthington	23J5-10	10	—	06DX824
Worthington	23JF5-10	10	R-22 Semi-Hermetic	06DX824
Worthington	2HF3-7.5	7.5	R-22 Semi-Hermetic	06DM818
Worthington	2JF3	5	—	06DM313
Worthington	2JF5	10	—	06DM718
Worthington	2JF5-10	10	—	06DM818
Worthington	2JF5-7.5	7.5	R-22 Semi-Hermetic	06DM818
Worthington	2VC4	25	Open Drive	5F40
Worthington	2VC5	30	Open Drive	5F60
Worthington	2VC6	30	Open Drive	5F60
Worthington	2VC7	35	Open Drive	06ET265
Worthington	2VH4	20	R-22 Semi-Hermetic	06EX250
Worthington	2VH5	—	R-22 Semi-Hermetic	06ET265
Worthington	2VH7	30	R-22 Semi-Hermetic	06EX299
Worthington	2VXC6	—	Open Drive	5F60
Worthington	2VXC65A	—	Open Drive	5H40
Worthington	2VXC8	—	Open Drive	5H46
Worthington	2VXH3	17.5	Semi-Hermetic	06DX537
Worthington	2VXH4	25	Semi-Hermetic	06ET250
Worthington	2VXH5	30	Semi-Hermetic	06ET265
Worthington	2VXH6	35	Semi-Hermetic	06ET275
Worthington	2VXH7	40	Semi-Hermetic	06ET299
Worthington	2VXH8	45	Semi-Hermetic, Remove 1 Suction Ring	06LH214
Worthington	2VXHG4	25	Semi-Hermetic	06EX275
Worthington	2VXHJ6B	45	Semi-Hermetic	06EX275
Worthington	2VXHJ6BS2	45	Semi-Hermetic	06ET275
Worthington	2VXHM7A	40	Semi-Hermetic	06ET299
Worthington	2VXHM8	40	Remove 1 Suction Ring	06LH214
Worthington	3JF4	15	Open Drive	06E( )299
Worthington	3JF6	25	Open Drive	06LH214
Worthington	3JFS4	7.5	—	06E( )299
Worthington	3VC4	—	Open Drive	5H40
Worthington	3VC5HL	—	Open Drive	5H46

**NOTE:** SEE CAUTION ON PAGE #18.





MANUFACTURER	MODEL #	HP	NOTES	CARLYLE REPLACEMENT
Worthington	3VC6	—	Open Drive	5H60
Worthington	3VC7HSK	—	Open Drive	5H66
Worthington	3VC8	—	Open Drive	5H80
Worthington	3VH05	50	Semi-Hermetic, Remove 1 Suction Ring	06LH214
Worthington	3VH06	60	Semi-Hermetic	06LH214
Worthington	3VHN4	40	Semi-Hermetic	06LH209
Worthington	3VHN4B	40	Semi-Hermetic	06LH209
Worthington	3VHP6	50	Semi-Hermetic	06LH214
Worthington	3VHP7R	70	Semi-Hermetic	06LH214
Worthington	3VHR8	—	R-22 Semi-Hermetic	06LH218
Worthington	3VHT8	—	Semi-Hermetic	06LH218
Worthington	3VXC8	—	Open Drive	5H86
Worthington	3VXH-8	100	Semi-Hermetic, Remove 2 Suction Ring Valves	06LH228
Worthington	3VXHT8R	100	Semi-Hermetic	06LH218
Worthington	3VXHV8S3	100	Semi-Hermetic	06LH228
Worthington	4JF4	40	Open Drive	5H40
York	BF29	—	Open Drive	5H40
York	ES68S-25-AS	—	Semi-Hermetic	06DM818
York	ES68T-25-AS	—	Semi-Hermetic	06DM818
York	ES68T-46-AS	—	Semi-Hermetic	06DM818
York	F3049	—	Open Drive	5H60
York	F30696BE	—	Open Drive	5H80
York	F3089	—	Open Drive	5H120
York	F32S	—	Open Drive	5F40
York	F92S	40	Open Drive	5H46
York	G63SA	—	—	5H60
York	H256	25	—	06ET265
York	H256WC	25	—	06ET265
York	H256WW	25	—	06ET265
York	H306GC	30	—	06ET275
York	H32SM	15	Semi-Hermetic	06DX537
York	H459	45	Semi-Hermetic, Remove 1 Suction Ring Valve	06LH214
York	H615	25	—	06E( )265
York	H615NF	—	R-22 A/C Duty	06ET265
York	H62SPDG	20	—	06EZ175
York	H62SQDG	20	Semi-Hermetic	06EZ175
York	H92SRDG	45	Semi-Hermetic	06LH114
York	H92SRFS	45	—	06LH114
York	H92SSCG	45	—	06LH114
York	HS256W	25	—	06ET265
York	JS43L-46AS	—	—	06LH214
York	SS42A-F46-G	20	—	06EX250
York	SS42B-F17-G	20	—	06EX250
York	SS42F-25-A-G	20	Semi-Hermetic	06EX250
York	SS42F-46G	20	Semi-Hermetic	06EX250
York	SS62B-J28-G	30	—	06ET275
York	SS62B-28-S	30	—	06ET275
York	SS62B-46-S	30	—	06ET275
York	SS62H-46-A-S	30	—	06ET275
York	SS63C-L46S	30	R-22 Semi-Hermetic	06ET299
York	SS82B-L46S	40	—	06ET299

**NOTE:** SEE CAUTION ON PAGE #18.

# 5F & 5H COMPRESSORS

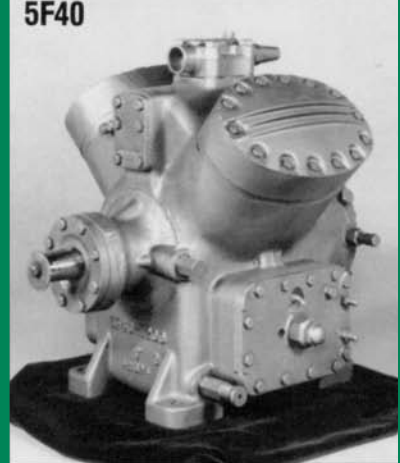
5F20



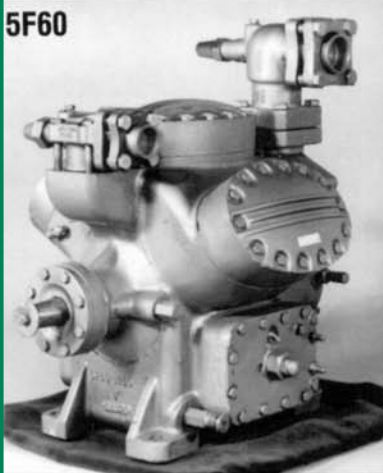
5F30



5F40



5F60



5H40,46



5H60,66



5H80,86



5H120,126

