



Selection: Semi-hermetic Reciprocating Compressors

Input Values

Compressor model Mode	(4DC-5.2Y) Refrigeration and Air conditioning	Suction gas temperature Operating mode	20,00 °C Auto
Refrigerant	R404A	Power supply	400V-3-50Hz
Reference temperature	Dew point temp.	Capacity control	100%
Liq. subc. (in condenser)	0 K	Useful superheat	100%

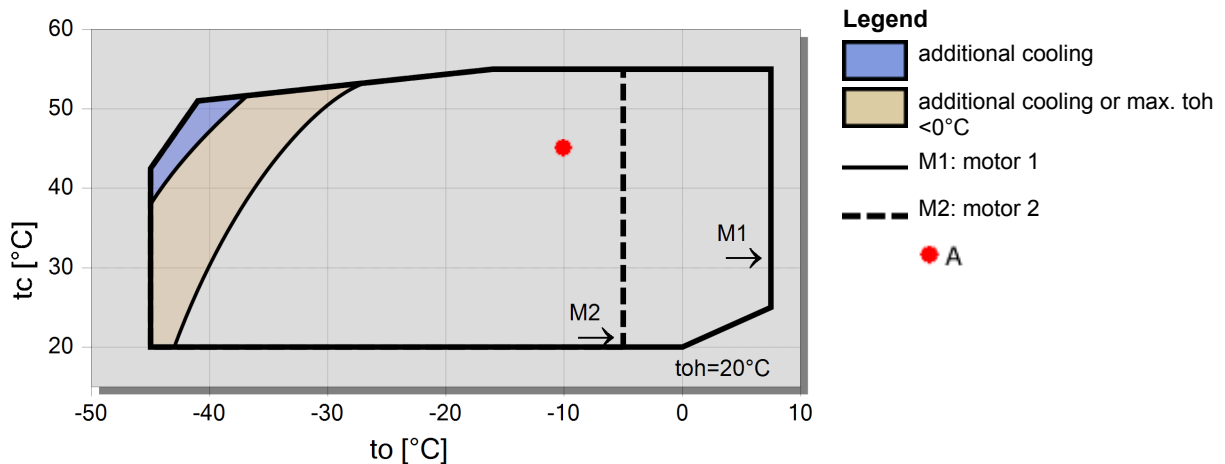
Result

Q [W]	Cooling capacity	COP [-]	COP/EER
Qu* [W]	Evaporator capacity	m [kg/h]	Mass flow
P [kW]	Power input	Op.	Operating mode
I [A]	Current	th [°C]	Discharge gas temp. w/o cooling
Qc [W]	Condenser capacity		

tc	to	5°C	-5°C	-15°C	-25°C	-35°C	-45°C	-55°C	-65°C
30°C	Q [W]	--	21119	14223	9100	5369	2729	--	--
	Qu* [W]	--	21119	14223	9100	5369	2729	--	--
	P [kW]	--	5,52	4,99	4,18	3,19	2,11	--	--
	I [A]	--	9,64	8,89	7,78	6,56	5,49	--	--
	Qc [W]	--	26635	19214	13282	8560	4842	--	--
	COP [-]	--	3,83	2,85	2,18	1,68	1,29	--	--
	m [kg/h]	--	531	351	222	129,5	65,4	--	--
	Op.	--	Standard	Standard	Standard	Standard	Standard	--	--
	th [°C]	--	69,9	85,0	102,1	122,3	0	--	--
40°C	Q [W]	--	17654	11807	7441	4250	1982	--	--
	Qu* [W]	--	17654	11807	7441	4250	1982	--	--
	P [kW]	--	6,34	5,50	4,43	3,22	1,98	--	--
	I [A]	--	10,84	9,61	8,11	6,60	5,38	--	--
	Qc [W]	--	23992	17307	11868	7470	3962	--	--
	COP [-]	--	2,79	2,15	1,68	1,32	1,00	--	--
	m [kg/h]	--	500	327	203	115,0	53,2	--	--
	Op.	--	Standard	Standard	Standard	Standard	Standard	--	--
	th [°C]	--	81,8	97,2	114,8	136,0	0	--	--
50°C	Q [W]	--	14301	9494	5879	3222	--	--	--
	Qu* [W]	--	14301	9494	5879	3222	--	--	--
	P [kW]	--	7,07	5,93	4,62	3,22	--	--	--
	I [A]	--	11,92	10,24	8,37	6,59	--	--	--
	Qc [W]	--	21367	15428	10497	6441	--	--	--
	COP [-]	--	2,02	1,60	1,27	1,00	--	--	--
	m [kg/h]	--	469	304	185,2	100,3	--	--	--
	Op.	--	Standard	Standard	Standard	Standard	--	--	--
	th [°C]	--	94,1	109,9	128,4	0	--	--	--

-- No calculation possible (see message in single point selection)
 *According to EN12900 (20°C suction gas temp., 0K liquid subcooling)

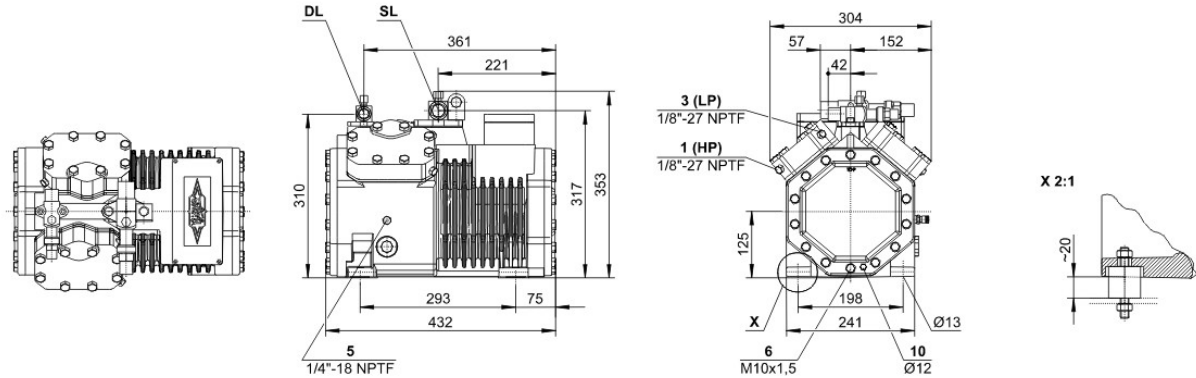
Application Limits 100% Octagon 4DC-5.2





Technical Data: (4DC-5.2Y)

Dimensions and Connections



Technical Data

Technical Data

Displacement (1450 RPM 50Hz)	26,84 m ³ /h
Displacement (1750 RPM 60Hz)	32,39 m ³ /h
No. of cylinder x bore x stroke	4 x 50 mm x 39,3 mm
Weight	85,5 kg
Max. pressure (LP/HP)	19 / 28 bar
Connection suction line	28 mm - 1 1/8"
Connection discharge line	22 mm - 7/8"
Oil type R134a/R407C/R404A/R507A/R407A/R407F	tc<55°C: BSE32 tc>55°C: BSE55 (Option)
Oil type R22 (R12/R502)	B5.2 (Standard)
Oil type R290/R1270	SHC226E (Standard)

Motor data

Motor voltage (more on request)	380-420V Y-3-50Hz
Max operating current	13.5 A
Starting current (Rotor locked)	62.2 A
Max. Power input	8,0 kW

Extent of delivery (Standard)

Motor protection	SE-B1
Enclosure class	IP65
Vibration dampers	Standard
Oil charge	2,00 dm ³

Available Options

Discharge gas temperature sensor	Option
Start unloading	Option
Capacity control	100-50% (Option)
Additional fan	Option
Crankcase heater	0..120 W PTC (Option)
Oil level monitoring	OLC-K1 (Option, not for R290/R1270)

Sound measurement

Sound power level (-10°C / 45°C)	72,0 dB(A) @ 50Hz
Sound power level (-35°C / 40°C)	74,0 dB(A) @ 50Hz
Sound pressure level @ 1m (-10°C / 45°C)	64,0 dB(A) @ 50Hz
Sound pressure level @ 1m (-35°C / 40°C)	66,0 dB(A) @ 50Hz



Selection: Semi-hermetic Reciprocating Compressors

Input Values

Compressor model Mode	(4CC-6.2Y) Refrigeration and Air conditioning	Suction gas temperature Operating mode	20,00 °C Auto
Refrigerant	R404A	Power supply	400V-3-50Hz
Reference temperature	Dew point temp.	Capacity control	100%
Liq. subc. (in condenser)	0 K	Useful superheat	100%

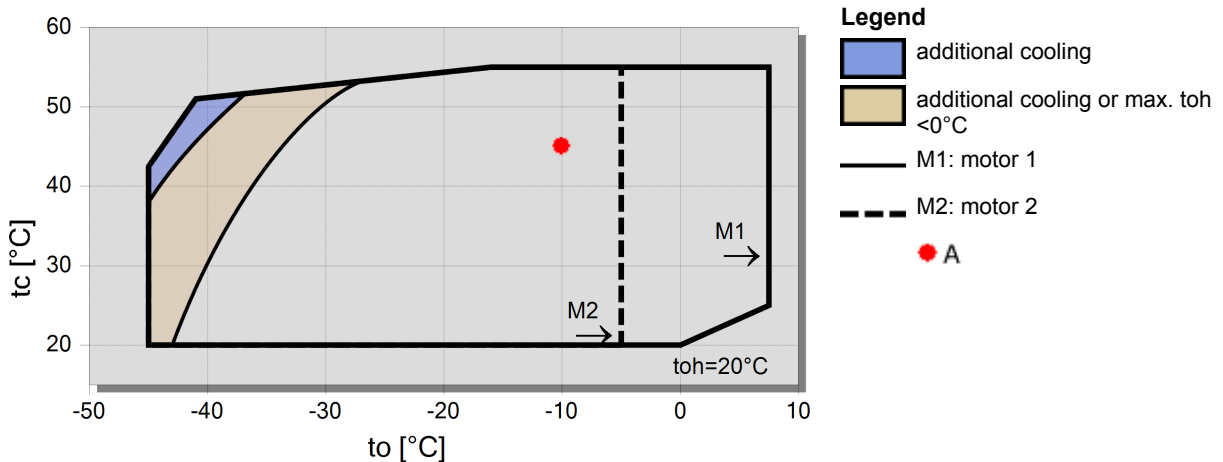
Result

Q [W]	Cooling capacity	COP [-]	COP/EER
Qu* [W]	Evaporator capacity	m [kg/h]	Mass flow
P [kW]	Power input	Op.	Operating mode
I [A]	Current	th [°C]	Discharge gas temp. w/o cooling
Qc [W]	Condenser capacity		

tc	to	5°C	-5°C	-15°C	-25°C	-35°C	-45°C	-55°C	-65°C
30°C	Q [W]	--	24971	16905	10904	6528	3421	--	--
	Qu* [W]	--	24971	16905	10904	6528	3421	--	--
	P [kW]	--	6,65	5,98	5,01	3,86	2,63	--	--
	I [A]	--	11,73	10,79	9,54	8,20	7,01	--	--
	Qc [W]	--	31625	22881	15915	10391	6056	--	--
	COP [-]	--	3,75	2,83	2,18	1,69	1,30	--	--
	m [kg/h]	--	627	417	266	157,5	82,0	--	--
	Op.	--	Standard	Standard	Standard	Standard	Standard	--	--
	th [°C]	--	70,6	85,3	102,1	122,0	0	--	--
40°C	Q [W]	--	21143	14211	9030	5240	2540	--	--
	Qu* [W]	--	21143	14211	9030	5240	2540	--	--
	P [kW]	--	7,64	6,63	5,37	3,94	2,47	--	--
	I [A]	--	13,14	11,70	9,99	8,29	6,88	--	--
	Qc [W]	--	28780	20844	14398	9184	5007	--	--
	COP [-]	--	2,77	2,14	1,68	1,33	1,03	--	--
	m [kg/h]	--	599	394	247	141,7	68,2	--	--
	Op.	--	Standard	Standard	Standard	Standard	Standard	--	--
	th [°C]	--	82,0	97,3	114,8	135,4	0	--	--
50°C	Q [W]	--	17323	11523	7175	3996	--	--	--
	Qu* [W]	--	17323	11523	7175	3996	--	--	--
	P [kW]	--	8,61	7,28	5,71	4,01	--	--	--
	I [A]	--	14,57	12,61	10,43	8,35	--	--	--
	Qc [W]	--	25933	18799	12882	8001	--	--	--
	COP [-]	--	2,01	1,58	1,26	1,00	--	--	--
	m [kg/h]	--	568	369	226	124,4	--	--	--
	Op.	--	Standard	Standard	Standard	Standard	--	--	--
	th [°C]	--	94,4	110,5	129,4	0	--	--	--

-- No calculation possible (see message in single point selection)
 *According to EN12900 (20°C suction gas temp., 0K liquid subcooling)

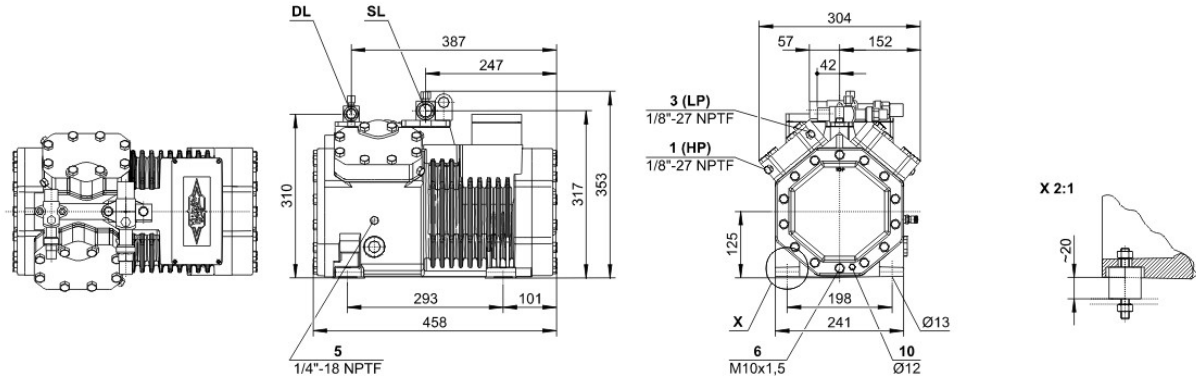
Application Limits 100% Octagon 4CC-6.2





Technical Data: (4CC-6.2Y)

Dimensions and Connections



Technical Data

Technical Data

Displacement (1450 RPM 50Hz)	32,48 m ³ /h
Displacement (1750 RPM 60Hz)	39,20 m ³ /h
No. of cylinder x bore x stroke	4 x 55 mm x 39,3 mm
Weight	90,5 kg
Max. pressure (LP/HP)	19 / 28 bar
Connection suction line	28 mm - 1 1/8"
Connection discharge line	22 mm - 7/8"
Oil type R134a/R407C/R404A/R507A/R407A/R407F	tc<55°C: BSE32 tc>55°C: BSE55 (Option)
Oil type R22 (R12/R502)	B5.2 (Standard)
Oil type R290/R1270	SHC226E (Standard)

Motor data

Motor voltage (more on request)	380-420V Y-3-50Hz
Max operating current	15.9 A
Starting current (Rotor locked)	82.4 A
Max. Power input	9,0 kW

Extent of delivery (Standard)

Motor protection	SE-B1
Enclosure class	IP65
Vibration dampers	Standard
Oil charge	2,00 dm ³

Available Options

Discharge gas temperature sensor	Option
Start unloading	Option
Capacity control	100-50% (Option)
Additional fan	Option
Crankcase heater	0..120 W PTC (Option)
Oil level monitoring	OLC-K1 (Option, not for R290/R1270)

Sound measurement

Sound power level (-10°C / 45°C)	72,5 dB(A) @ 50Hz
Sound power level (-35°C / 40°C)	76,0 dB(A) @ 50Hz
Sound pressure level @ 1m (-10°C / 45°C)	64,5 dB(A) @ 50Hz
Sound pressure level @ 1m (-35°C / 40°C)	68,0 dB(A) @ 50Hz