



Selection: Semi-hermetic Reciprocating Compressors

Input Values

Compressor model Mode	(2N-5.2Y) Refrigeration and Air conditioning	Suction gas temperature Operating mode	20,00 °C Auto
Refrigerant	R404A	Power supply	400V-3-50Hz
Reference temperature	Dew point temp.	Capacity control	100%
Liq. subc. (in condenser)	0 K	Useful superheat	100%

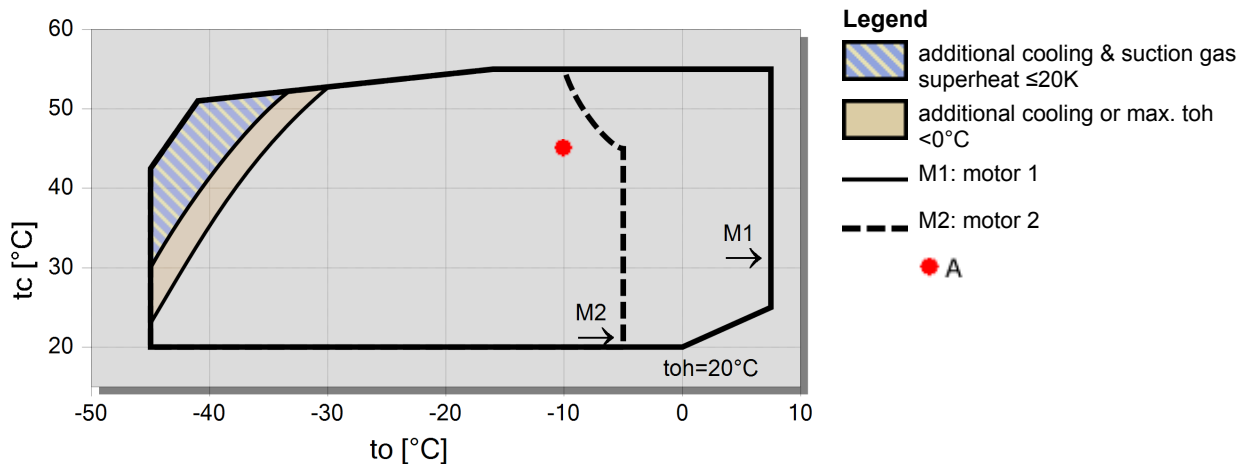
Result

Q [W]	Cooling capacity	COP [-]	COP/EER
Qu* [W]	Evaporator capacity	m [kg/h]	Mass flow
P [kW]	Power input	Op.	Operating mode
I [A]	Current	th [°C]	Discharge gas temp. w/o cooling
Qc [W]	Condenser capacity		

tc	to	-5°C	-10°C	-15°C	-20°C	-25°C	-30°C	-35°C	-40°C
30°C	Q [W]	22111	18230	14885	12011	9551	7459	5683	4190
	Qu* [W]	22111	18230	14885	12011	9551	7459	5683	4190
	P [kW]	5,83	5,48	5,11	4,71	4,28	3,83	3,35	2,85
	I [A]	9,99	9,51	9,00	8,46	7,91	7,35	6,79	6,24
	Qc [W]	27937	23710	19992	16719	13835	11290	9035	7036
	COP [-]	3,80	3,33	2,91	2,55	2,23	1,95	1,70	1,47
	m [kg/h]	560	458	372	298	236	183,6	139,4	102,5
	Op.	Standard	Standard	Standard	Standard	Standard	Standard	Standard	Standard
	th [°C]	70,6	77,0	84,0	91,7	100,3	109,9	120,9	133,4
	40°C	Q [W]	19007	15623	12701	10188	8037	6205	4650
Qu* [W]		19007	15623	12701	10188	8037	6205	4650	3343
P [kW]		6,67	6,19	5,69	5,16	4,60	4,02	3,42	2,79
I [A]		11,18	10,50	9,80	9,07	8,32	7,58	6,86	6,18
Qc [W]		25678	21816	18390	15346	12638	10226	8067	6134
COP [-]		2,85	2,52	2,23	1,98	1,75	1,54	1,36	1,20
m [kg/h]		550	448	361	288	226	173,6	129,6	92,9
Op.		Standard	Standard	Standard	Standard	Standard	Standard	Standard	Standard
th [°C]		81,0	87,6	94,7	102,5	111,1	120,7	131,4	0
50°C		Q [W]	15542	12746	10324	8236	6446	4922	3628
	Qu* [W]	15542	12746	10324	8236	6446	4922	3628	2542
	P [kW]	7,58	6,96	6,31	5,64	4,94	4,24	3,52	2,79
	I [A]	12,49	11,59	10,66	9,72	8,78	7,85	6,98	6,18
	Qc [W]	23123	19703	16632	13872	11390	9159	7146	5333
	COP [-]	2,05	1,83	1,64	1,46	1,30	1,16	1,03	0,91
	m [kg/h]	533	432	347	275	214	162,3	119,1	83,1
	Op.	Standard	Standard	Standard	Standard	Standard	Standard	Standard	Standard
	th [°C]	92,9	99,7	107,0	115,0	123,9	133,7	0	0

-- No calculation possible (see message in single point selection)
 *According to EN12900 (20°C suction gas temp., 0K liquid subcooling)

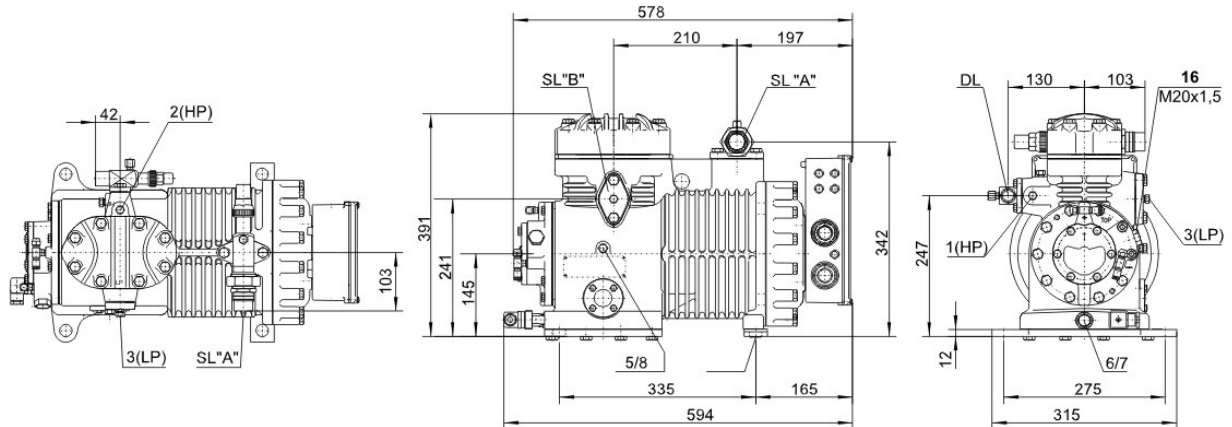
Application Limits 100% 2N-5.2





Technical Data: (2N-5.2Y)

Dimensions and Connections



Technical Data

Technical Data

Displacement (1450 RPM 50Hz)	28,04 m ³ /h
Displacement (1750 RPM 60Hz)	33,84 m ³ /h
No. of cylinder x bore x stroke	2 x 60 mm x 57 mm
Weight	93 kg
Max. pressure (LP/HP)	19 / 28 bar
Connection suction line	28 mm - 1 1/8"
Connection discharge line	22 mm - 7/8"
Connection cooling water	R 1/2"
Oil type R134a/R407C/R404A/R507A/R407A/R407F	tc<55°C: BSE32 tc>55°C: BSE55 (Option)
Oil type R22 (R12/R502)	B5.2 (Standard)
Oil type R290/R1270	SHC226E (Standard)

Motor data

Motor voltage (more on request)	380-420V Y-3-50Hz
Max operating current	13.2 A
Starting current (Rotor locked)	63.0 A
Max. Power input	8,1 kW

Extent of delivery (Standard)

Motor protection	INT69VS (Standard), INT389 (Option)
Enclosure class	IP54 (Standard), IP66 (Option)
Vibration dampers	Standard
Oil charge	2,00 dm ³

Available Options

Discharge gas temperature sensor	Option
Start unloading	Option
Additional fan	Option
Water-cooled cylinder heads	Option
Crankcase heater	70 W (Option)
Oil pressure monitoring	MP54 (Option), Delta-PII (Option, not for R290/R1270)

Sound measurement

Sound power level (-10°C / 45°C)	74,5 dB(A) @ 50Hz
Sound power level (-35°C / 40°C)	80,5 dB(A) @ 50Hz
Sound pressure level @ 1m (-10°C / 45°C)	66,5 dB(A) @ 50Hz
Sound pressure level @ 1m (-35°C / 40°C)	72,5 dB(A) @ 50Hz



Selection: Semi-hermetic Reciprocating Compressors

Input Values

Compressor model Mode	(4CC-6.2Y) Refrigeration and Air conditioning	Suction gas temperature Operating mode	20,00 °C Auto
Refrigerant	R404A	Power supply	400V-3-50Hz
Reference temperature	Dew point temp.	Capacity control	100%
Liq. subc. (in condenser)	0 K	Useful superheat	100%

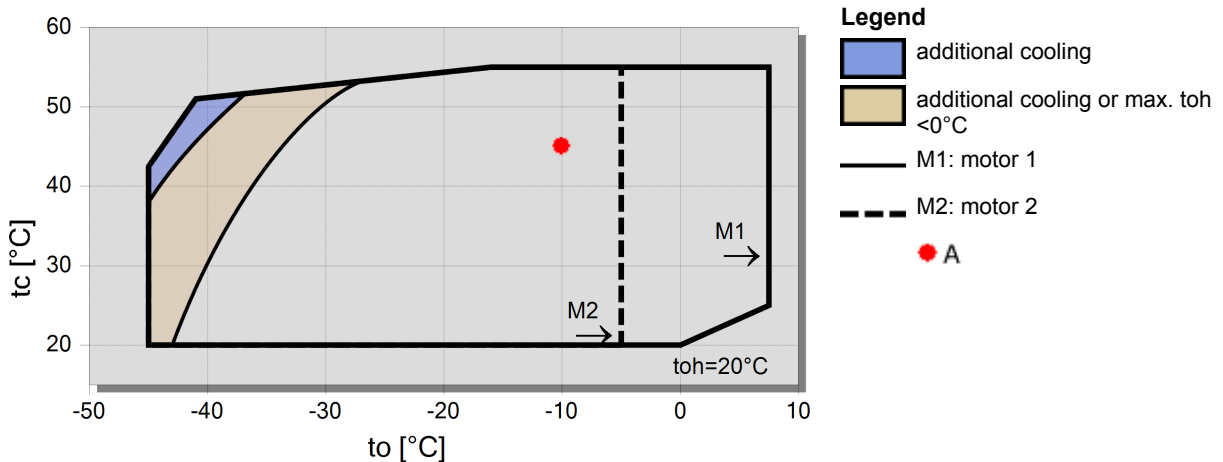
Result

Q [W]	Cooling capacity	COP [-]	COP/EER
Qu* [W]	Evaporator capacity	m [kg/h]	Mass flow
P [kW]	Power input	Op.	Operating mode
I [A]	Current	th [°C]	Discharge gas temp. w/o cooling
Qc [W]	Condenser capacity		

tc	to	-5°C	-10°C	-15°C	-20°C	-25°C	-30°C	-35°C	-40°C
30°C	Q [W]	24971	20648	16905	13677	10904	8537	6528	4836
	Qu* [W]	24971	20648	16905	13677	10904	8537	6528	4836
	P [kW]	6,65	6,36	5,98	5,52	5,01	4,45	3,86	3,25
	I [A]	11,73	11,31	10,79	10,19	9,54	8,86	8,20	7,57
	Qc [W]	31625	27005	22881	19199	15915	12990	10391	8088
	COP [-]	3,75	3,25	2,83	2,48	2,18	1,92	1,69	1,49
	m [kg/h]	627	514	417	335	266	207	157,5	116,3
	Op.	Standard	Standard	Standard	Standard	Standard	Standard	Standard	Standard
	th [°C]	70,6	77,7	85,3	93,4	102,1	111,6	122,0	133,7
	40°C	Q [W]	21143	17432	14211	11426	9030	6981	5240
Qu* [W]		21143	17432	14211	11426	9030	6981	5240	3770
P [kW]		7,64	7,17	6,63	6,03	5,37	4,67	3,94	3,21
I [A]		13,14	12,47	11,70	10,86	9,99	9,12	8,29	7,53
Qc [W]		28780	24606	20844	17453	14398	11651	9184	6976
COP [-]		2,77	2,43	2,14	1,90	1,68	1,50	1,33	1,18
m [kg/h]		599	488	394	314	247	189,7	141,7	101,6
Op.		Standard	Standard	Standard	Standard	Standard	Standard	Standard	Standard
th [°C]		82,0	89,4	97,3	105,7	114,8	124,6	135,4	0
50°C		Q [W]	17323	14221	11523	9186	7175	5456	3996
	Qu* [W]	17323	14221	11523	9186	7175	5456	3996	2768
	P [kW]	8,61	7,98	7,28	6,51	5,71	4,87	4,01	3,14
	I [A]	14,57	13,64	12,61	11,53	10,43	9,36	8,35	7,46
	Qc [W]	25933	22200	18799	15700	12882	10322	8001	5905
	COP [-]	2,01	1,78	1,58	1,41	1,26	1,12	1,00	0,88
	m [kg/h]	568	460	369	292	226	170,7	124,4	85,8
	Op.	Standard	Standard	Standard	Standard	Standard	Standard	Standard	Standard
	th [°C]	94,4	102,2	110,5	119,6	129,4	0	0	0

-- No calculation possible (see message in single point selection)
 *According to EN12900 (20°C suction gas temp., 0K liquid subcooling)

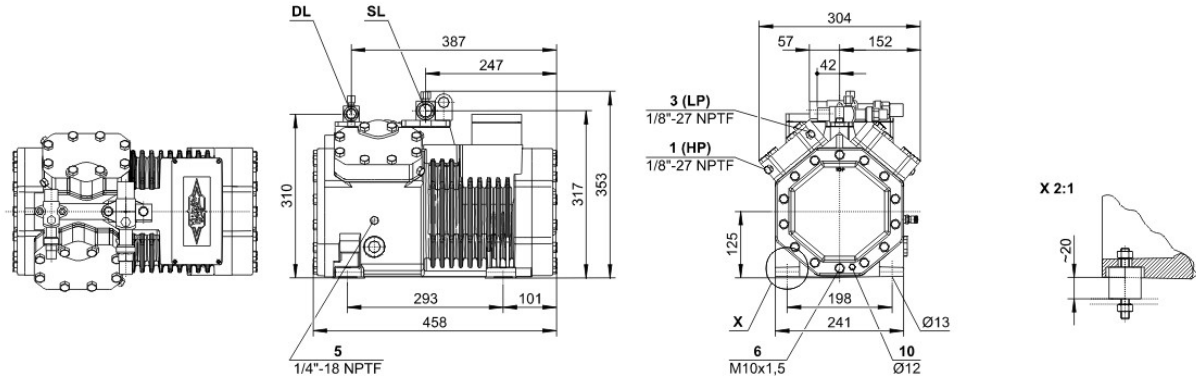
Application Limits 100% Octagon 4CC-6.2





Technical Data: (4CC-6.2Y)

Dimensions and Connections



Technical Data

Technical Data

Displacement (1450 RPM 50Hz)	32,48 m3/h
Displacement (1750 RPM 60Hz)	39,20 m3/h
No. of cylinder x bore x stroke	4 x 55 mm x 39,3 mm
Weight	90,5 kg
Max. pressure (LP/HP)	19 / 28 bar
Connection suction line	28 mm - 1 1/8"
Connection discharge line	22 mm - 7/8"
Oil type R134a/R407C/R404A/R507A/R407A/R407F	tc<55°C: BSE32 tc>55°C: BSE55 (Option)
Oil type R22 (R12/R502)	B5.2 (Standard)
Oil type R290/R1270	SHC226E (Standard)

Motor data

Motor voltage (more on request)	380-420V Y-3-50Hz
Max operating current	15.9 A
Starting current (Rotor locked)	82.4 A
Max. Power input	9,0 kW

Extent of delivery (Standard)

Motor protection	SE-B1
Enclosure class	IP65
Vibration dampers	Standard
Oil charge	2,00 dm ³

Available Options

Discharge gas temperature sensor	Option
Start unloading	Option
Capacity control	100-50% (Option)
Additional fan	Option
Crankcase heater	0..120 W PTC (Option)
Oil level monitoring	OLC-K1 (Option, not for R290/R1270)

Sound measurement

Sound power level (-10°C / 45°C)	72,5 dB(A) @ 50Hz
Sound power level (-35°C / 40°C)	76,0 dB(A) @ 50Hz
Sound pressure level @ 1m (-10°C / 45°C)	64,5 dB(A) @ 50Hz
Sound pressure level @ 1m (-35°C / 40°C)	68,0 dB(A) @ 50Hz