

Model: ZP182KCE-TFD

Data

Type: Hermetic scroll compressors

Producer: Copeland

Series: ZP

Model: ZP182KCE-TFD

Technical data

Displacement [m ³ /h]:	29,1
Sound power [dBA]:	77
Sound pressure level [dB]:	66
Net Weight [kg]:	66,0
Gross Weight [kg]:	77
Oil charge [dm ³]:	3,3
Maximum high pressure [bar]:	45
Maximum standstill pressure [bar]:	29,5
Minimal lowside temperature [°C]:	-35
Maximum lowside temperature [°C]:	50
PED category:	2

Electrical data

Power supply [V/~ /Hz]:	380-420V/3/50Hz
Locked rotor current [A]:	174,0
Max. operating current [A]:	34,0
Winding resistance [Ω]:	0,9

Connections

	<u>inches</u>
Suction connection with supplied sleeve:	1 3/8"
Discharge connection with supplied sleeve:	7/8"

Model: ZP182KCE-TFD

Capacity

R410A

Cooling capacity [kW]

t_c \ t_e	-25	-20	-15	-10	-5	0	5	10	15	20
25	16.97	21.04	25.75	31.20	37.48	44.71	52.97	62.37	73.01	84.99
30	15.73	19.76	24.38	29.69	35.78	42.76	50.73	59.79	70.03	81.55
35	14.48	18.44	22.94	28.08	33.95	40.66	48.30	56.98	66.79	77.83
40	-	17.05	21.40	26.34	31.96	38.37	45.66	53.93	63.28	73.82
45	-	-	19.75	24.46	29.80	35.87	42.78	50.61	59.48	69.47
50	-	-	-	22.40	27.43	33.14	39.63	47.00	55.35	64.78
55	-	-	-	-	24.85	30.16	36.21	43.09	50.89	59.72
60	-	-	-	-	22.01	26.91	32.48	38.83	46.06	54.26
65	-	-	-	-	-	23.35	28.43	34.22	40.84	48.39

Power input [kW]

t_c \ t_e	-25	-20	-15	-10	-5	0	5	10	15	20
25	6.80	6.98	7.14	7.24	7.24	7.12	6.82	6.32	5.58	4.57
30	7.49	7.66	7.83	7.99	8.08	8.09	7.96	7.66	7.17	6.44
35	8.35	8.46	8.61	8.78	8.94	9.03	9.03	8.91	8.62	8.13
40	-	9.43	9.53	9.68	9.85	10.00	10.09	10.10	9.97	9.69
45	-	-	10.63	10.73	10.87	11.04	11.19	11.28	11.28	11.16
50	-	-	-	11.96	12.05	12.19	12.36	12.50	12.60	12.61
55	-	-	-	-	13.43	13.51	13.65	13.82	13.97	14.06
60	-	-	-	-	15.06	15.05	15.13	15.27	15.43	15.58
65	-	-	-	-	-	16.84	16.82	16.90	17.04	17.20

Model: ZP182KCE-TFD

Capacity

Current [A]

$t_c \setminus t_e$	-25	-20	-15	-10	-5	0	5	10	15	20
25	16.81	17.01	17.19	17.31	17.32	17.18	16.84	16.25	15.37	14.15
30	17.56	17.73	17.93	18.11	18.24	18.25	18.11	17.76	17.18	16.29
35	18.57	18.67	18.85	19.05	19.24	19.37	19.38	19.24	18.89	18.30
40	-	19.89	20.00	20.18	20.39	20.58	20.71	20.72	20.58	20.24
45	-	-	21.45	21.56	21.75	21.96	22.16	22.28	22.30	22.16
50	-	-	-	23.25	23.37	23.56	23.78	23.98	24.11	24.12
55	-	-	-	-	25.32	25.44	25.64	25.86	26.06	26.19
60	-	-	-	-	27.64	27.66	27.79	27.99	28.22	28.42
65	-	-	-	-	-	30.28	30.30	30.44	30.64	30.87

Mass flow [kg/h]

$t_c \setminus t_e$	-25	-20	-15	-10	-5	0	5	10	15	20
25	332.82	411.48	499.42	598.67	711.27	839.23	984.59	1 149.36	1 335.58	1 545.27
30	328.03	408.17	497.46	597.90	711.55	840.41	986.51	1 151.89	1 338.56	1 548.56
35	320.27	401.86	492.44	594.04	708.69	838.40	985.21	1 151.15	1 338.24	1 548.51
40	-	392.57	484.41	587.12	702.73	833.26	980.74	1 147.19	1 334.65	1 545.14
45	-	-	473.40	577.17	693.70	825.00	973.11	1 140.04	1 327.83	1 538.50
50	-	-	-	564.25	681.65	813.69	962.37	1 129.74	1 317.82	1 528.63
55	-	-	-	-	666.61	799.34	948.56	1 116.33	1 304.65	1 515.56
60	-	-	-	-	648.62	781.99	931.72	1 099.83	1 288.36	1 499.32
65	-	-	-	-	-	761.69	911.88	1 080.30	1 268.99	1 479.96

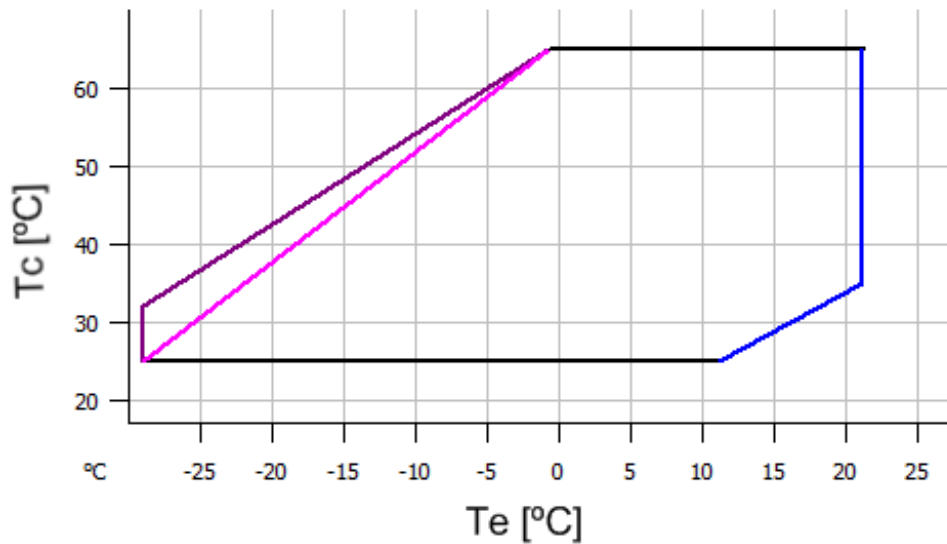
Model: ZP182KCE-TFD

Capacity

C.O.P. [W/W]

$t_c \setminus t_e$	-25	-20	-15	-10	-5	0	5	10	15	20
25	2.50	3.01	3.61	4.31	5.18	6.28	7.77	9.87	13.08	18.60
30	2.10	2.58	3.11	3.72	4.43	5.29	6.38	7.80	9.77	12.67
35	1.73	2.18	2.66	3.20	3.80	4.50	5.35	6.40	7.75	9.58
40	-	1.81	2.25	2.72	3.24	3.84	4.52	5.34	6.35	7.62
45	-	-	1.86	2.28	2.74	3.25	3.82	4.49	5.27	6.22
50	-	-	-	1.87	2.28	2.72	3.21	3.76	4.39	5.14
55	-	-	-	-	1.85	2.23	2.65	3.12	3.64	4.25
60	-	-	-	-	1.46	1.79	2.15	2.54	2.99	3.48
65	-	-	-	-	-	1.39	1.69	2.03	2.40	2.81

Application range



- Maximum evaporating temperature
- 25°C suction gas temperature
- 10K gas overheat

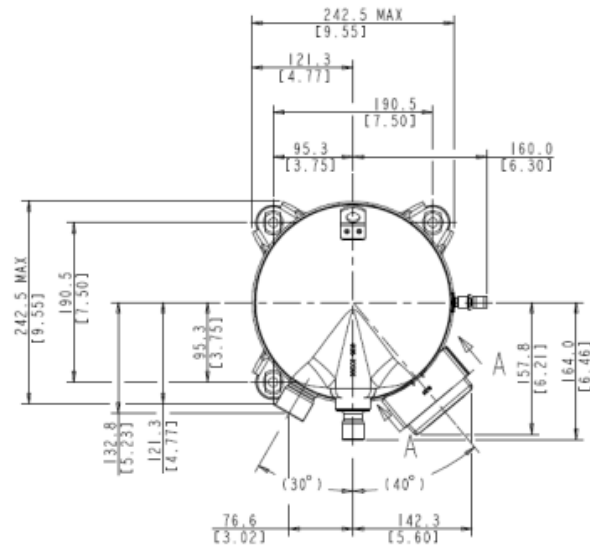
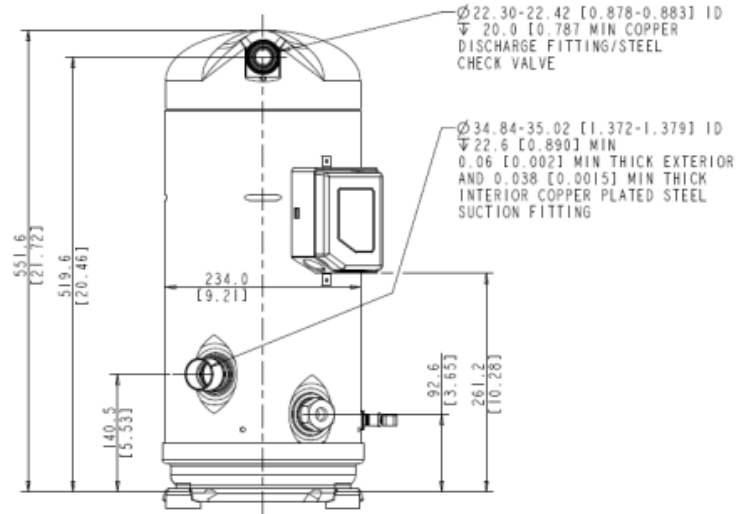
Operating conditions: 10K suction superheat, 0K subcooling

t_c - Condensing temperature [°C]

t_e - Evaporating temperature [°C]

Model: ZP182KCE-TFD

Dimensions



Model: ZP182KCE-TFD

Image

