



Compressor Selection: Open-Type Reciprocating Compressors

Input Values

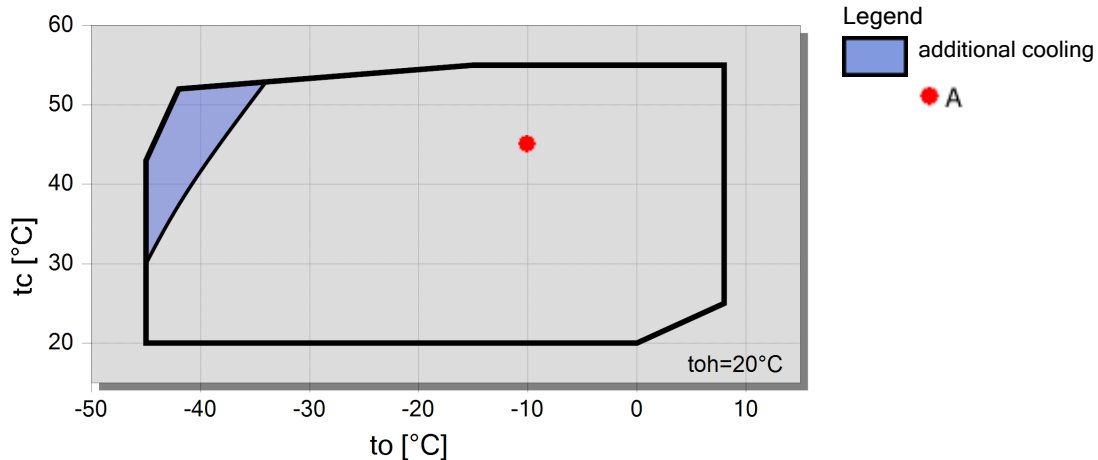
Compressor model	6G.2Y-K	Useful superheat	100%
Refrigerant	R404A	Motor speed	1450 /min
Reference temperature	Dew point temp.	Drive	Coupling (1:1)
Liq. subc. (in condenser)	0 K	Capacity Control	100%
Suction gas temperature	20,00 °C		

Result

tc [W]	Q* [W]	P [kW]	Qc [W]	Cooling capacity		COP [-]		COP/EER	
				Condenser Capacity	Power input	COP* [-]	m [kg/h]	Compr. speed	COP/EER *
to	0°C	-10°C	-20°C	-30°C	-40°C	-50°C	-60°C	-70°C	
30°C	Q [W]	123227	84219	55243	34150	19254	--	--	--
	Q* [W]	123227	84219	55243	34150	19254			
	P [kW]	26,4	24,0	20,5	16,30	11,87			
	Qc [W]	149650	108254	75749	50448	31125			
	COP [-]	4,66	3,50	2,69	2,10	1,62			
	COP* [-]	4,66	3,50	2,69	2,10	1,62			
	m [kg/h]	3132	2095	1353	827	463			
	n [/min]	1450	1450	1450	1450	1450			
40°C	Q [W]	106260	72199	46787	28247	15151	--	--	--
	Q* [W]	106260	72199	46787	28247	15151			
	P [kW]	29,9	26,3	21,9	17,12	12,20			
	Qc [W]	136158	98528	68736	45367	27351			
	COP [-]	3,55	2,74	2,13	1,65	1,24			
	COP* [-]	3,55	2,74	2,13	1,65	1,24			
	m [kg/h]	3048	2021	1287	768	408			
	n [/min]	1450	1450	1450	1450	1450			
50°C	Q [W]	88606	59788	38167	22356	11195	--	--	--
	Q* [W]	88606	59788	38167	22356	11195			
	P [kW]	33,5	28,9	23,7	18,15	12,45			
	Qc [W]	122086	88659	61857	40504	23649			
	COP [-]	2,65	2,07	1,61	1,23	0,90			
	COP* [-]	2,65	2,07	1,61	1,23	0,90			
	m [kg/h]	2951	1936	1211	700	347			
	n [/min]	1450	1450	1450	1450	1450			

-- No calculation possible (see message in single point selection)
 *According to EN12900 (20°C suction gas temp., 0K liquid subcooling)

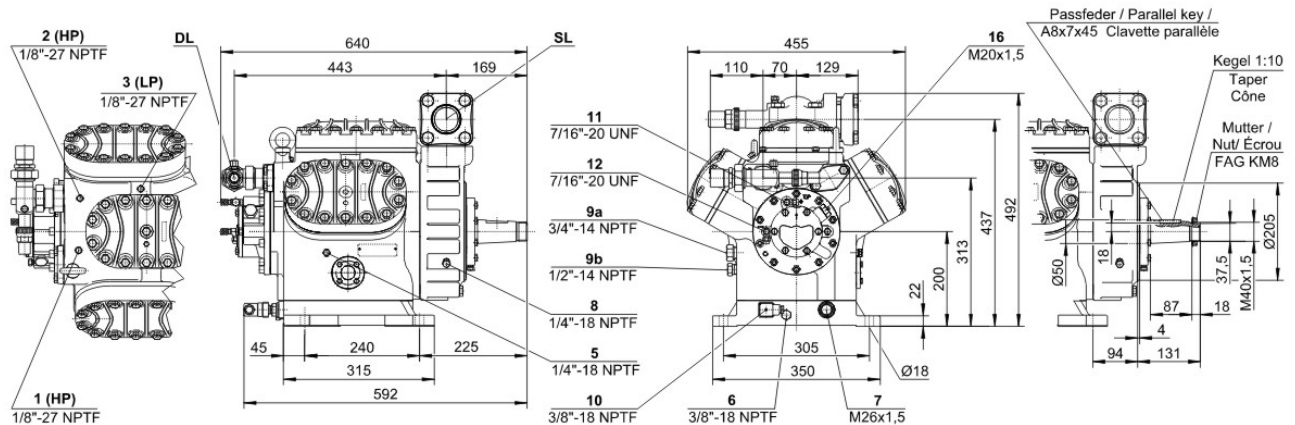
Application Limits Standard





Technical Data: 6G.2Y-K

Dimensions and Connections



Technical Data

Technical Data

Displacement (1450 RPM 50Hz)	126,8 m3/h
Displacement (1750 RPM 60Hz)	153,0 m3/h
No. of cylinder x bore x stroke	6 x 75 mm x 55 mm
Allowed speed range	900 .. 1750 1/min
Weight	153 kg
Max. pressure (LP/HP)	19 / 25 bar
Connection suction line	54 mm - 2 1/8"
Connection discharge line	35 mm - 1 3/8"
Oil type R134a/R407C/R404A/R507A/R407A/R407F	tc<55°C: BSE32 / tc>55°C: BSE55 (Option)
Oil type R22 (R12/R502)	B5.2 (Standard)

Extent of delivery (Standard)

Oil charge	5,0 dm3
Protective charge	Standard
Suction shut-off valve	Standard
Discharge shut-off valve	Standard
Pressure relief valve	Standard

Available Options

Coupling (...K) w. A/C + medium	KK620 [<22kW] / KK630 [<45kW] (Option)
Coupling (...K) w. low temp.	KK625 [<22kW] / KK630 [<45kW] (Option)
Coupling housing	Option
Motor pulley (...S)	190, 210, 230 mm (Option)
V-belts	5 x SPA (Option)
Discharge gas temperature sensor	Option (incl. INT69VS)
Start unloading	Option
Connection cooling water	R 3/4" (Option)
Capacity control	100-66-33% (Option)
Additional fan	Option
Water-cooled cylinder heads	Option
Oil service valve	Option
Crankcase heater	140 W (Option)
Oil pressure monitoring	MP54 (Option)
Kit for marine application	Option