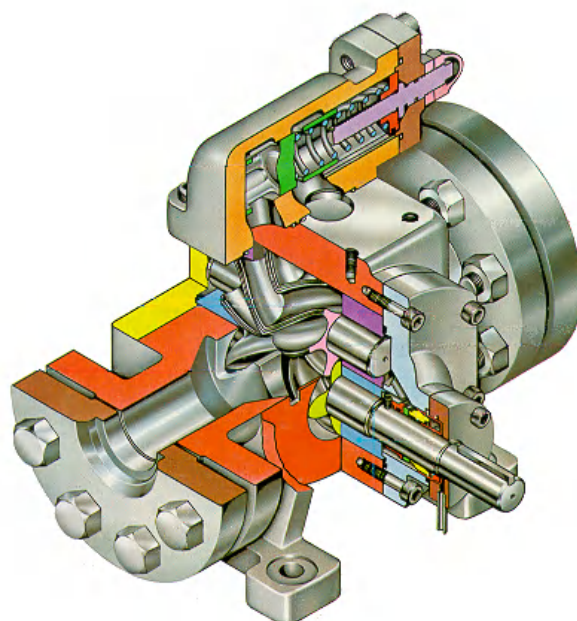


Mycom Oil Pump Service Manual

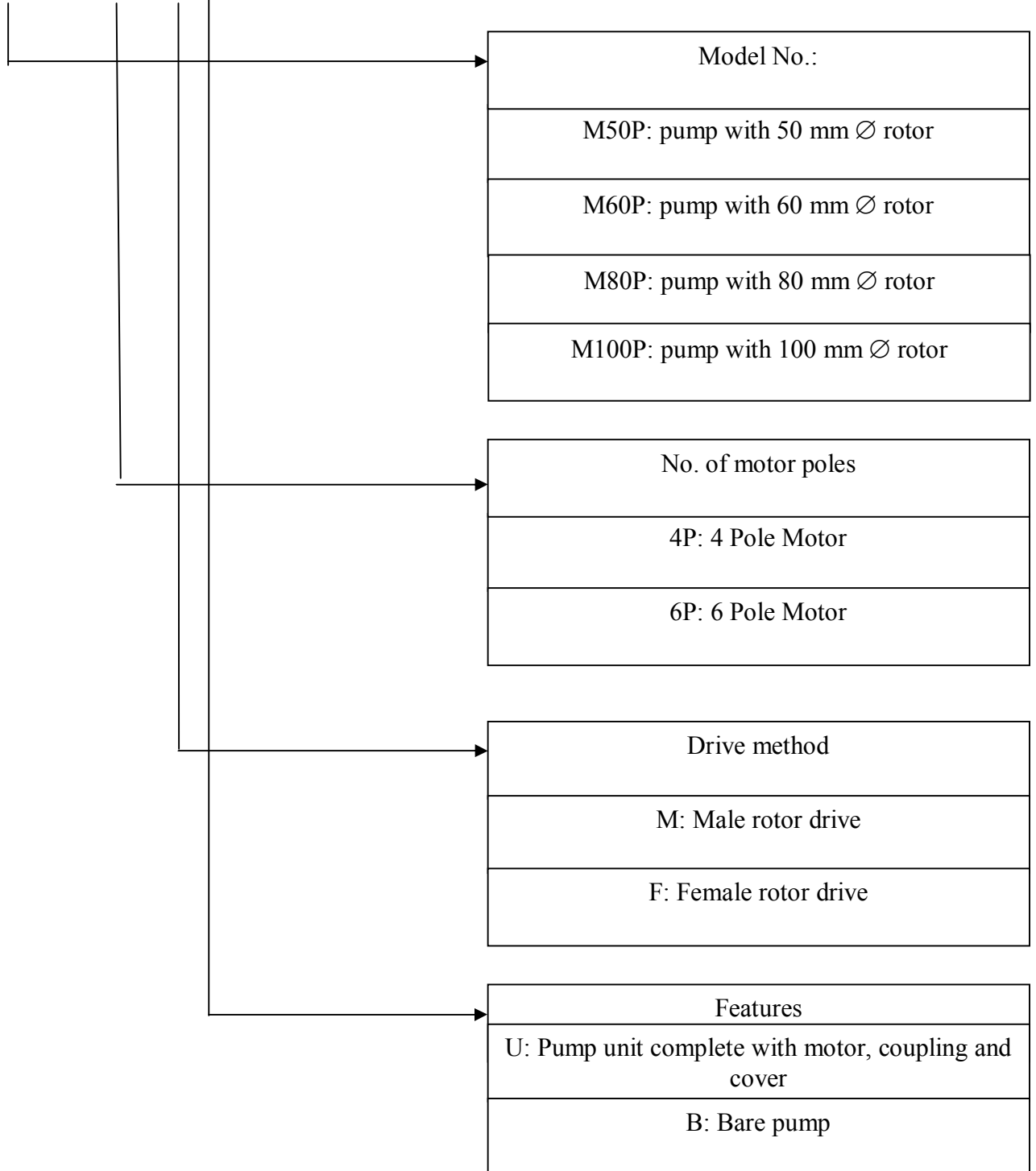


M50P
M60P
M80P
M100P

2. Standard specifications

2.1 Model number designation (Standard Model) (Additional)

M50P-4P M U-R 50 H 01



(Standard Model)

(Additional)

M50P-4P M U-R 50 H 01

