

CRE5-5 A-A-A-E-HQQE 3x380-500 60HZ

Grundfos Pump 98390026



Thank you for your interest in our products

Please contact us for more information, or visit our website

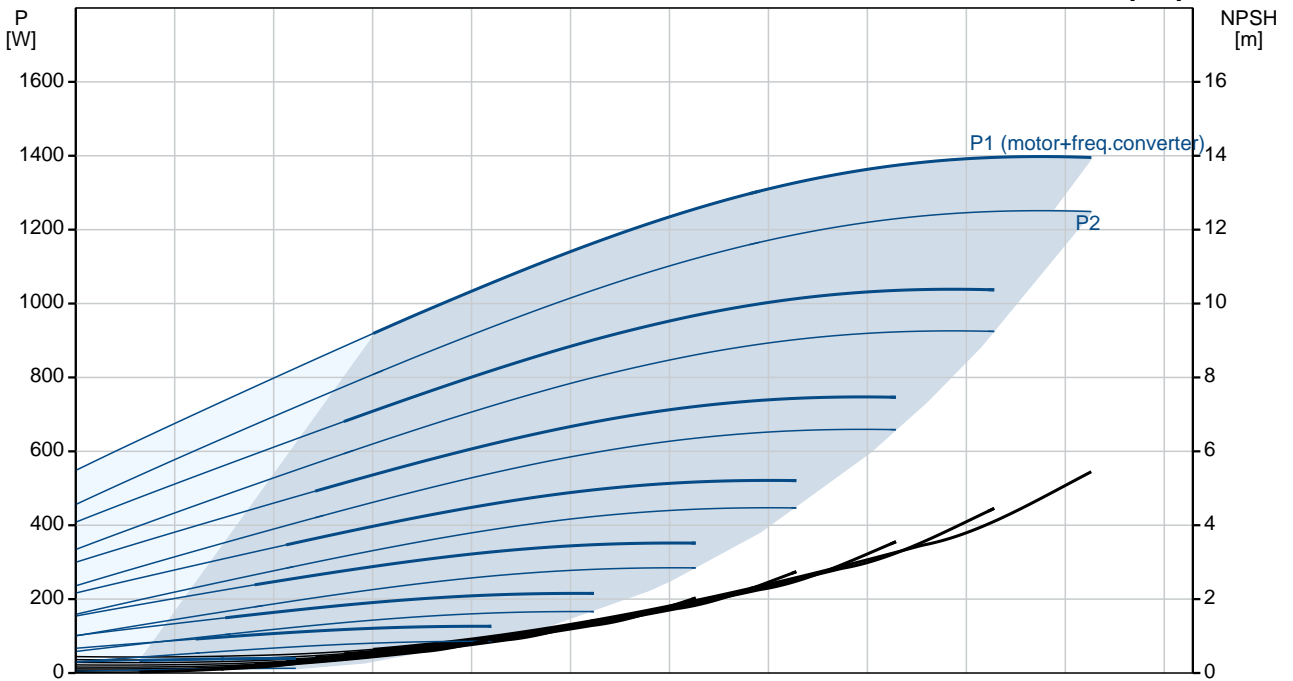
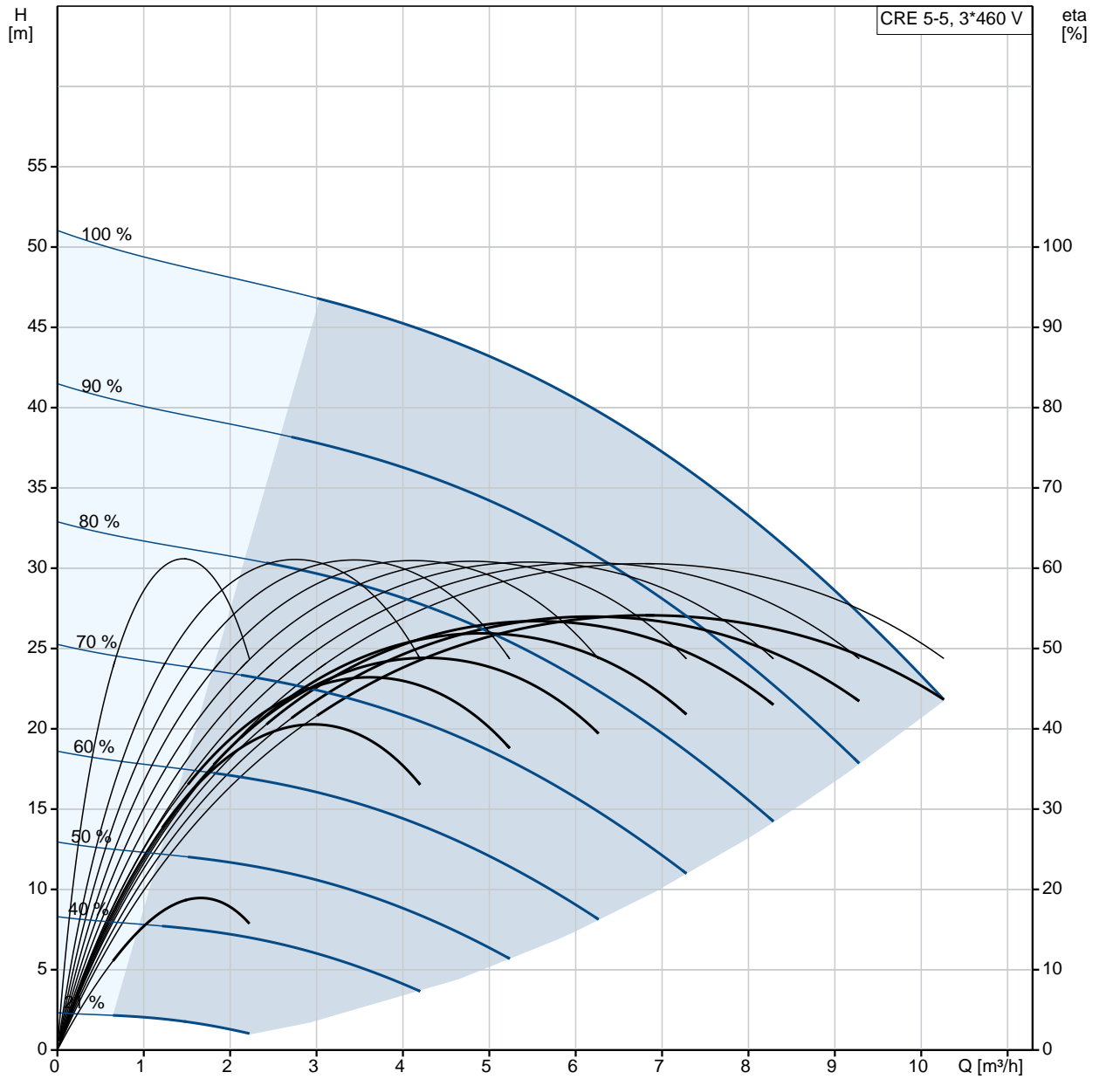
<https://www.lenntech.com/grundfos/CRE05/98390026/CRE-5-5-A-A-A-E-HQQE.html>

info@lenntech.com

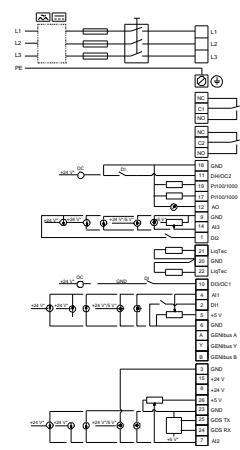
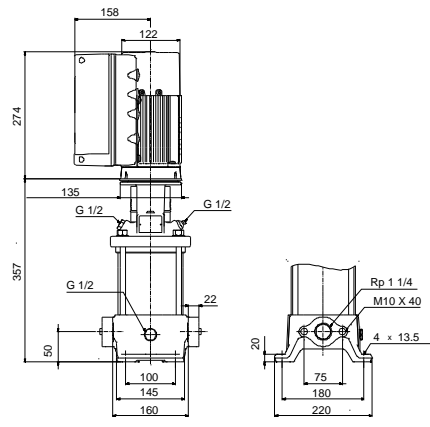
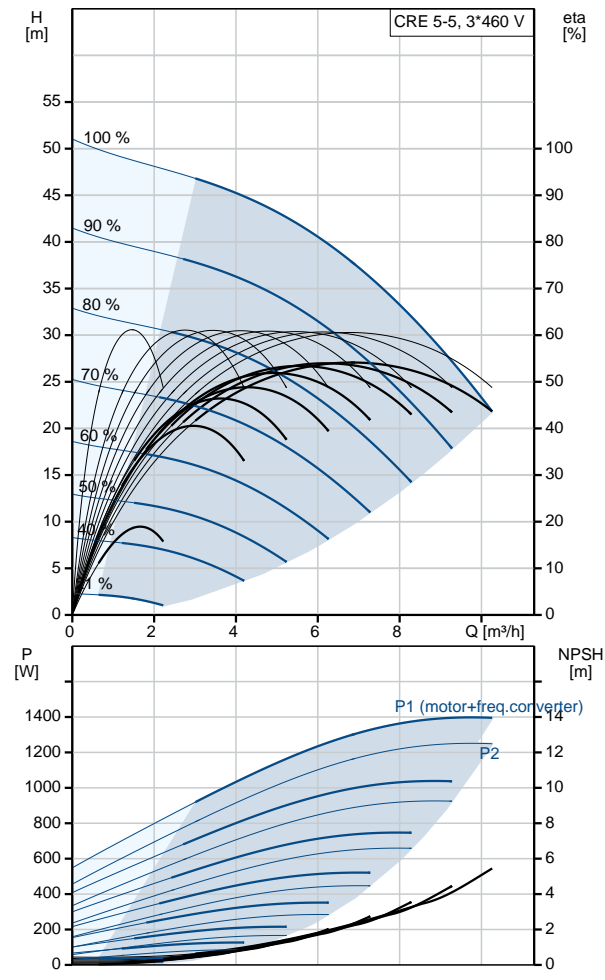
tel. +31-15-261.09.00

fax. +31-15-261.62.89

98390026 CRE 5-5 50 Hz



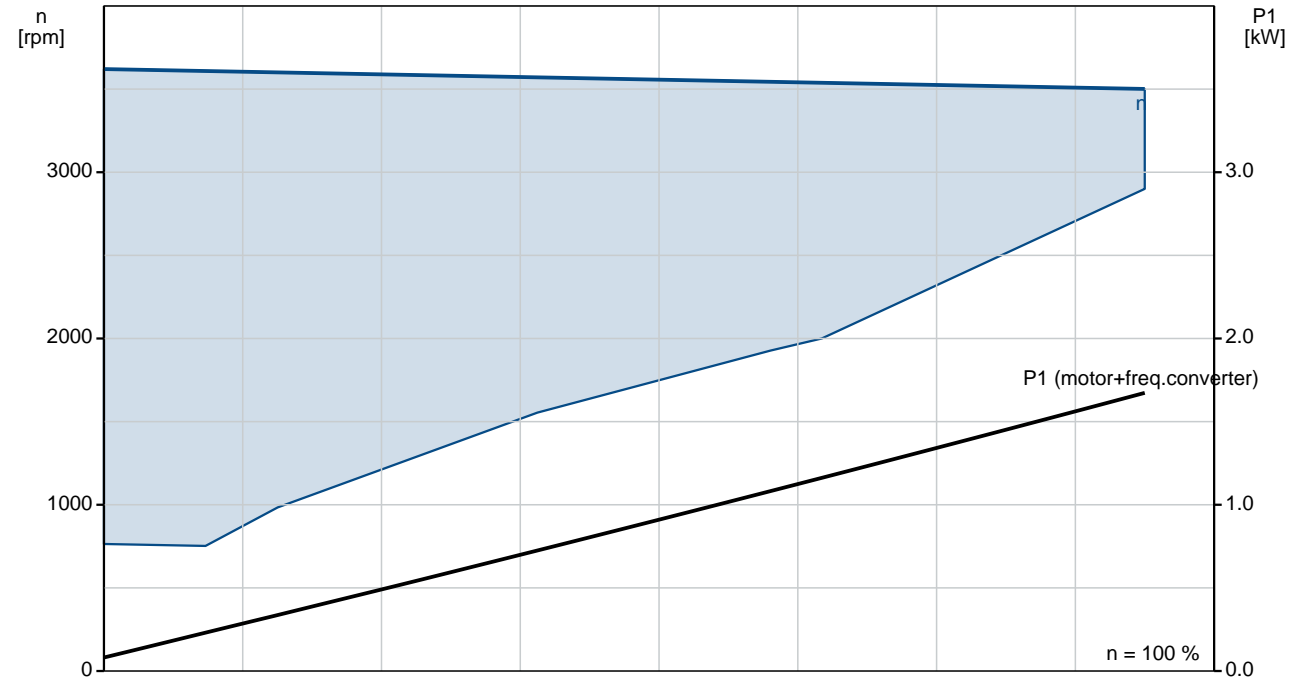
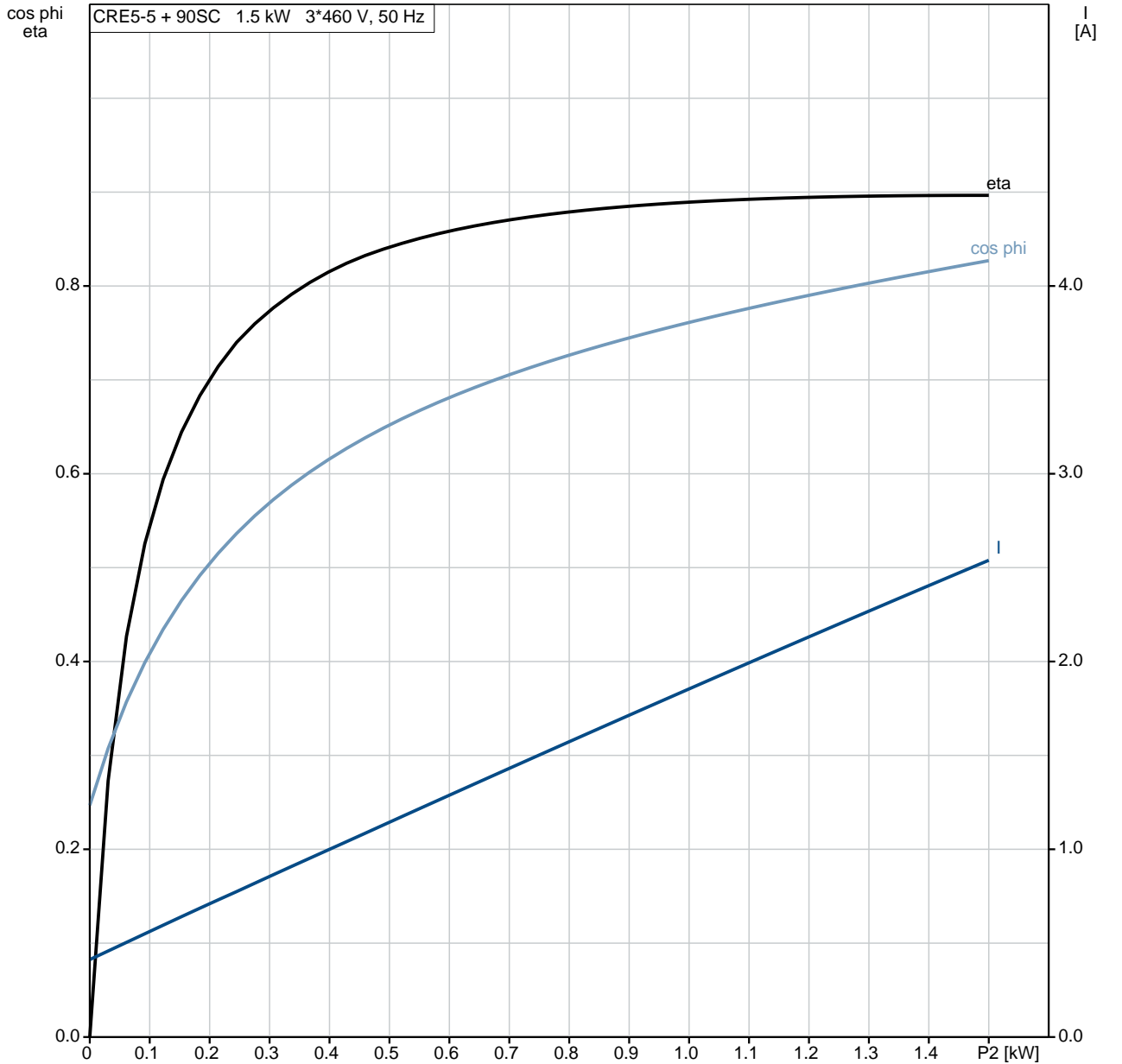
Description	Value
General information:	
Product name:	CRE 5-5 A-A-A-E-HQQE
Product No:	98390026
EAN number:	5711494189076
Technical:	
Speed for pump data:	3501 rpm
Rated flow:	6.9 m³/h
Rated head:	36.5 m
Stages:	5
Impellers:	5
Low NPSH:	N
Pump orientation:	Vertical
Shaft seal arrangement:	Single
Code for shaft seal:	HQQE
Approvals on nameplate:	CE, EAC, ACS
Curve tolerance:	ISO9906:2012 3B
Pump version:	A
Model:	A
Materials:	
Base:	Cast iron
	EN 1561 EN-GJL-200
	ASTM A48-25B
Impeller:	Stainless steel
	EN 1.4301
	AISI 304
Material code:	A
Code for rubber:	E
Bearing:	SIC
Installation:	
Maximum ambient temperature:	50 °C
Maximum operating pressure:	16 bar
Max pressure at stated temp:	16 bar / 120 °C
	16 bar / -20 °C
Type of connection:	Oval / Rp
Connect code:	A
Size of inlet connection:	1 1/4 inch
Size of outlet connection:	1 1/4 inch
Pressure rating for pipe connection:	PN 16
Flange size for motor:	FT115
Liquid:	
Pumped liquid:	Water
Liquid temperature range:	-20 .. 120 °C
Liquid temperature during operation:	20 °C
Density:	998.2 kg/m³
Electrical data:	
Motor standard:	IEC
Motor type:	90SC
IE Efficiency class:	IE5
Rated power - P2:	1.5 kW
Power (P2) required by pump:	1.5 kW
Mains frequency:	50 Hz
Rated voltage:	3 x 380-500 V
Rated current:	2,90-2,40 A
Cos phi - power factor:	0,92-0,85
Rated speed:	360-4000 rpm
Efficiency:	88,9%
Motor efficiency at full load:	88.9 %
Enclosure class (IEC 34-5):	IP55
Insulation class (IEC 85):	F
Motor protec:	YES
Motor No:	98190189
Controls:	
Control panel:	Standard
Function Module:	FM300 - Advanced



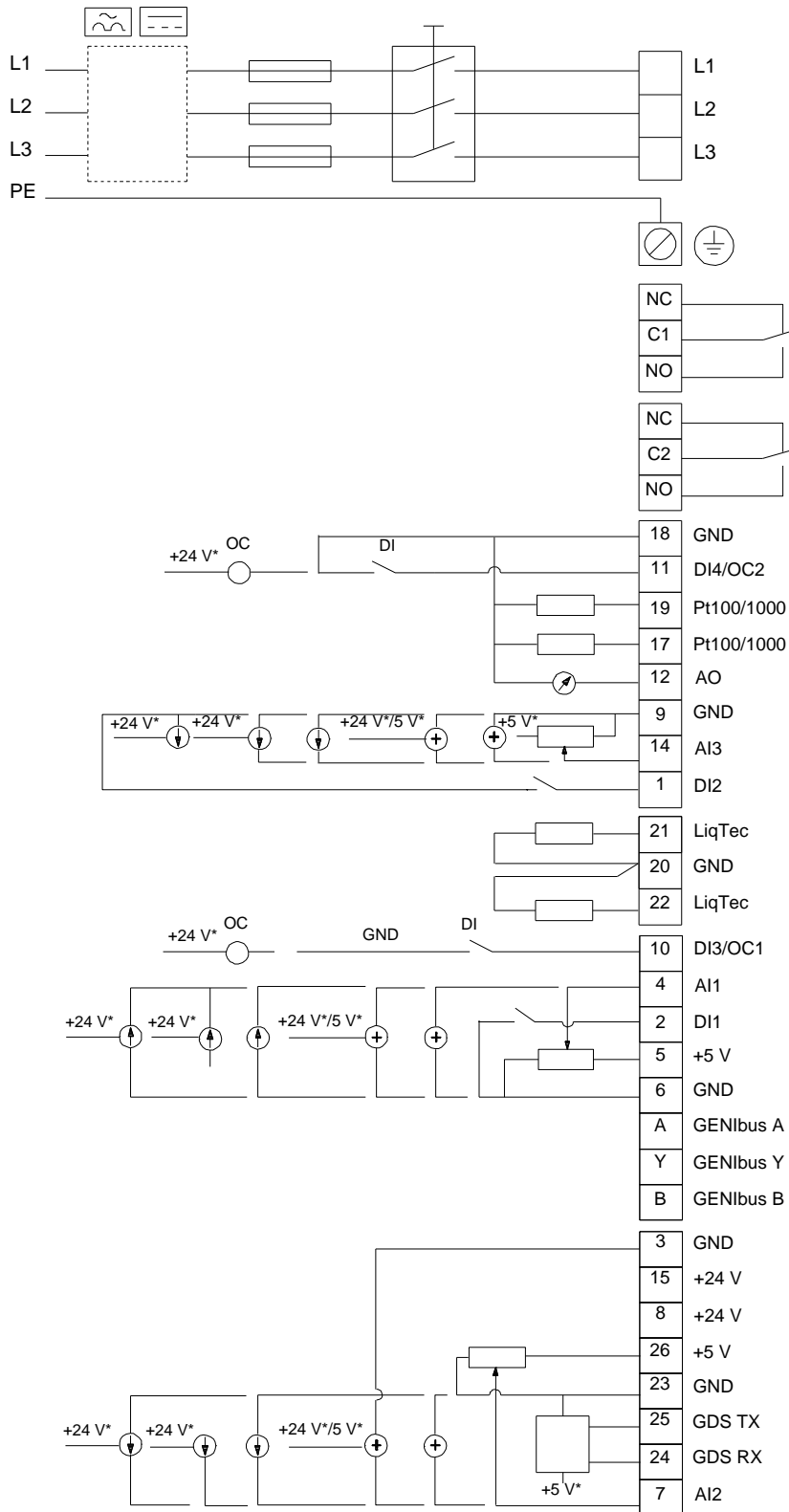
Description	Value
Frequency converter:	Built-in
Pressure sensor:	N
Others:	
Minimum efficiency index, MEI :	0.57
Net weight:	29.1 kg
Gross weight:	32 kg
Shipping volume:	0.143 m ³

98390026 CRE 5-5 50 Hz

CRE5-5 + 90SC 1.5 kW 3*460 V, 50 Hz



98390026 CRE 5-5 50 Hz



Note! All units are in [mm] unless others are stated.

*Disclaimer: The information about the Grundfos pump in this document may be outdated.
Data may be subject to alterations without further notice.
Please contact us to verify the data above is still accurate/up-to-date.*

All information is copyright Grundfos.



info@lenntech.com
www.lenntech.com
tel. +31-15-261.09.00
fax. +31-15-261.62.89