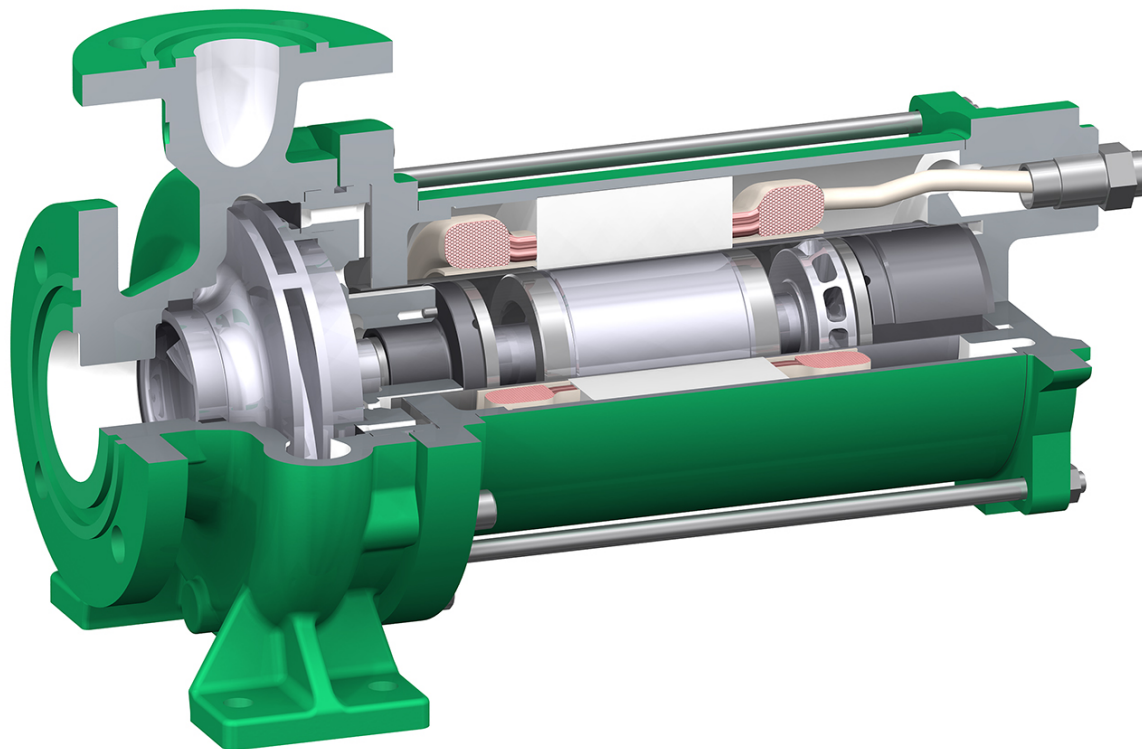


PRODUCT INFORMATION
CANNED MOTOR PUMP TYPE CNF

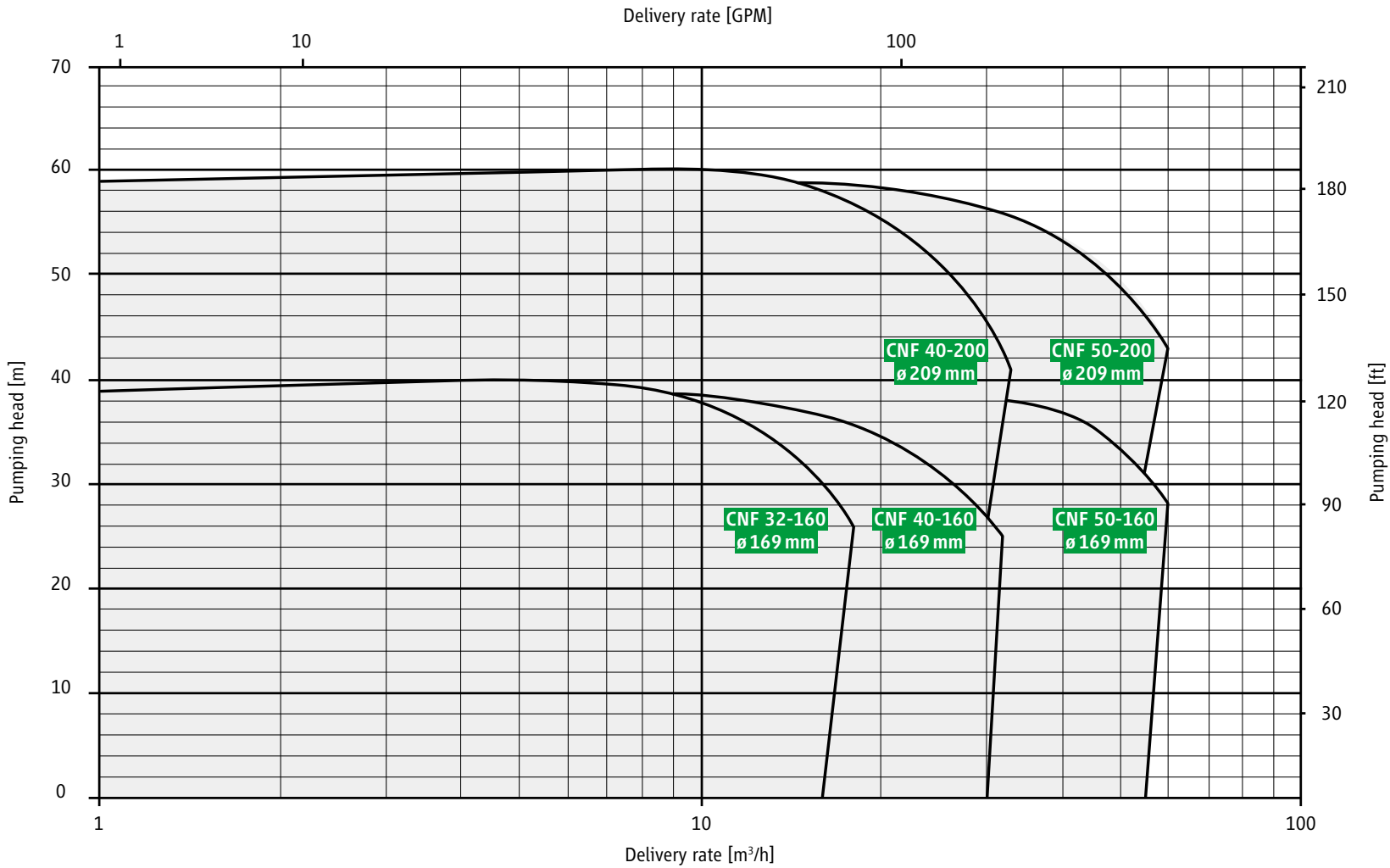
REFRIGERATION ENGINEERING



ZART®

simply best balance

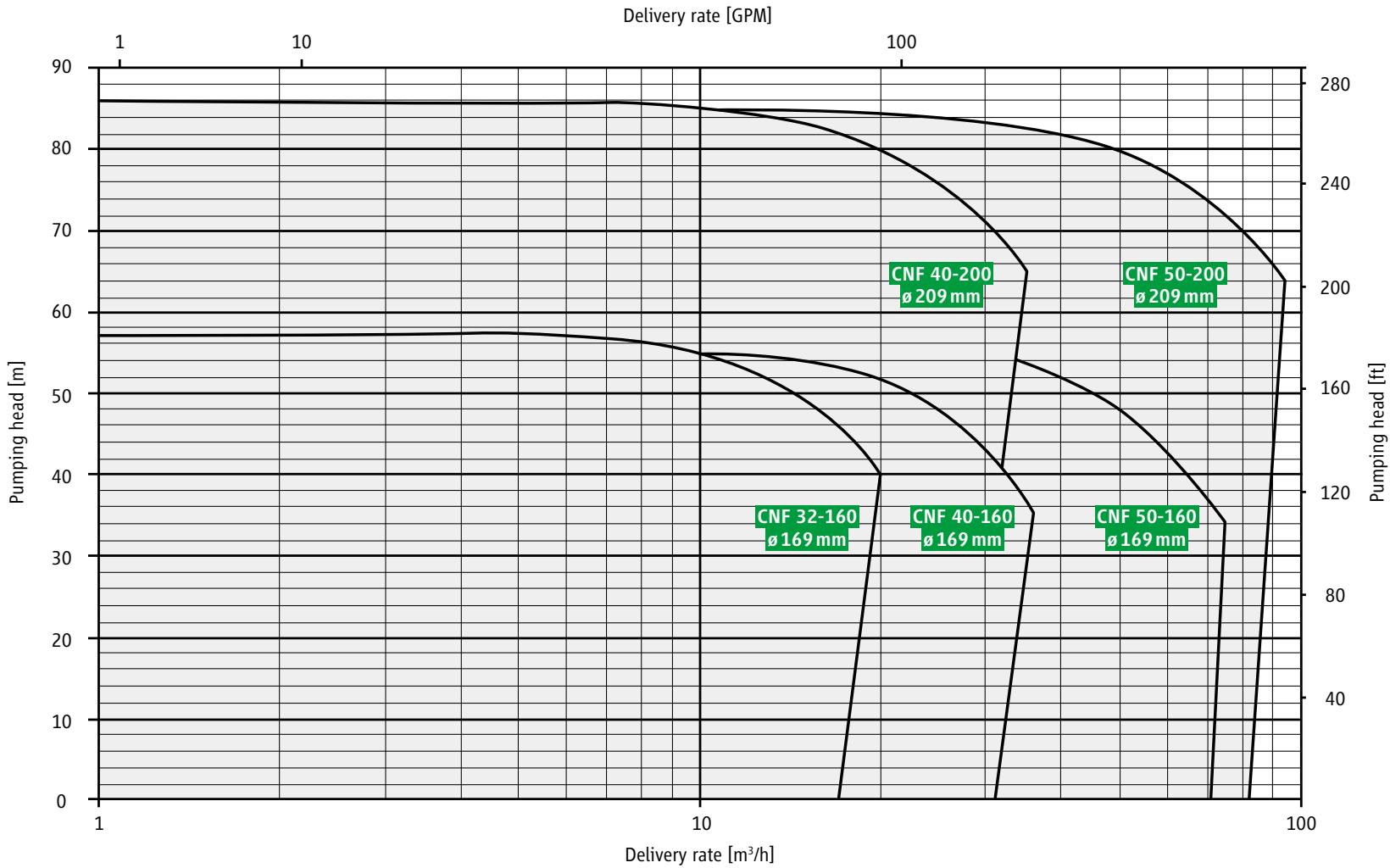
2900 rpm 50 Hz



- Table of Contents
- General information
- Function
- Operating principle
- Characteristic maps**
- Versions
- List of parts
- Collective measurements
- Documentation and tests
- Installation
- Protection and monitoring
- Flow regulation
- Design software
- Contact



3500 rpm 60 Hz



- Table of Contents
- General information
- Function
- Operating principle
- Characteristic maps**
- Versions
- List of parts
- Collective measurements
- Documentation and tests
- Installation
- Protection and monitoring
- Flow regulation
- Design software
- Contact



Versions CNF

| Type | Motor | Pump data | | Motor data 50 Hz / 60 Hz | | Weight kg | PN |
|--------------|-----------|-------------------------------------|-------------------------------------|--------------------------|------------------------------|-----------|----|
| | | Q _{min.} m ³ /h | Q _{max.} m ³ /h | Output kW [P2] | Rated current at 400 V/480 V | | |
| CNF 32 – 160 | AGX 3.0 | 3.0 | 20.0 | 3.0/3.4 | 7.1 | 55.0 | 40 |
| | AGX 4.5 | 3.0 | 20.0 | 4.5/5.6 | 10.4 | 63.0 | 40 |
| CNF 40 – 160 | AGX 3.0 | 4.0 | 26.0 | 3.0/3.4 | 7.1 | 58.0 | 40 |
| | AGX 4.5 | 4.0 | 26.0 | 4.5/5.6 | 10.4 | 66.0 | 40 |
| | AGX 6.5 | 4.0 | 26.0 | 6.5/7.4 | 15.2 | 69.0 | 40 |
| | AGX 8.5 | 4.0 | 26.0 | 8.5/9.2 | 19.0 | 80.0 | 40 |
| CNF 40 – 200 | AGX 4.5 | 4.0 | 26.0 | 4.5/5.6 | 10.4 | 74.0 | 40 |
| | AGX 6.5 | 4.0 | 26.0 | 6.5/7.4 | 15.2 | 77.0 | 40 |
| | AGX 8.5 | 4.0 | 26.0 | 8.5/9.2 | 19.0 | 90.0 | 40 |
| | CKPx 12.0 | 6.0 | 26.0 | 13.5/15.7 | 31.0 | 122.0 | 25 |
| CNF 50 – 160 | AGX 4.5 | 8.0 | 60.0 | 4.5/5.6 | 10.4 | 77.0 | 40 |
| | AGX 6.5 | 8.0 | 60.0 | 6.5/7.4 | 15.2 | 80.0 | 40 |
| | AGX 8.5 | 8.0 | 60.0 | 8.5/9.2 | 19.0 | 91.0 | 40 |
| | CKPx 12.0 | 8.0 | 60.0 | 13.5/15.7 | 31.0 | 118.0 | 25 |
| CNF 50 – 200 | AGX 6.5 | 8.0 | 60.0 | 6.5/7.4 | 15.2 | 82.0 | 40 |
| | AGX 8.5 | 8.0 | 60.0 | 8.5/9.2 | 19.0 | 96.0 | 40 |
| | CKPx 12.0 | 8.0 | 60.0 | 13.5/15.7 | 31.0 | 125.0 | 25 |

Table of Contents

General information

Function

Operating principle

Characteristic maps

Versions

List of parts

Collective measurements

Documentation and tests

Installation

Protection and monitoring

Flow regulation

Design software

Contact



Materials / pressure stages / flanges

| | |
|-----------------|--|
| Housing | JS 1025 |
| Impeller | JL 1040 |
| Slide bearing | 1.4021 / carbon |
| Shaft | 1.4021 |
| Rotor lining | 1.4571 |
| Seals | AFM 34* |
| Pressure rating | PN 40** |
| Flanges | according to DIN EN 1092-1, PN 40 type D |

* asbestos-free aramid fibre, ** test pressure 60 bar

Noise expectancy values

| Motors | AGX 3.0 | AGX 4.5 | AGX 6.5 | AGX 8.5 | CKPx 12.0 |
|---|---------|---------|---------|---------|-----------|
| Output power [P2 at 50 Hz] | 3.0 kW | 4.5 kW | 6.5 kW | 8.5 kW | 13.5 kW |
| max. expected sound pressure level dB(A) at 50 Hz | 52 | 54 | 56 | 57 | 59 |
| Output power [P2 at 60 Hz] | 3.4 kW | 5.6 kW | 7.5 kW | 9.7 kW | 15.7 kW |
| max. expected sound pressure level dB(A) at 60 Hz | 52 | 55 | 56 | 57 | 59 |

Table of Contents

General information

Function

Operating principle

Characteristic maps

Versions

List of parts

Collective measurements

Documentation and tests

Installation

Protection and monitoring

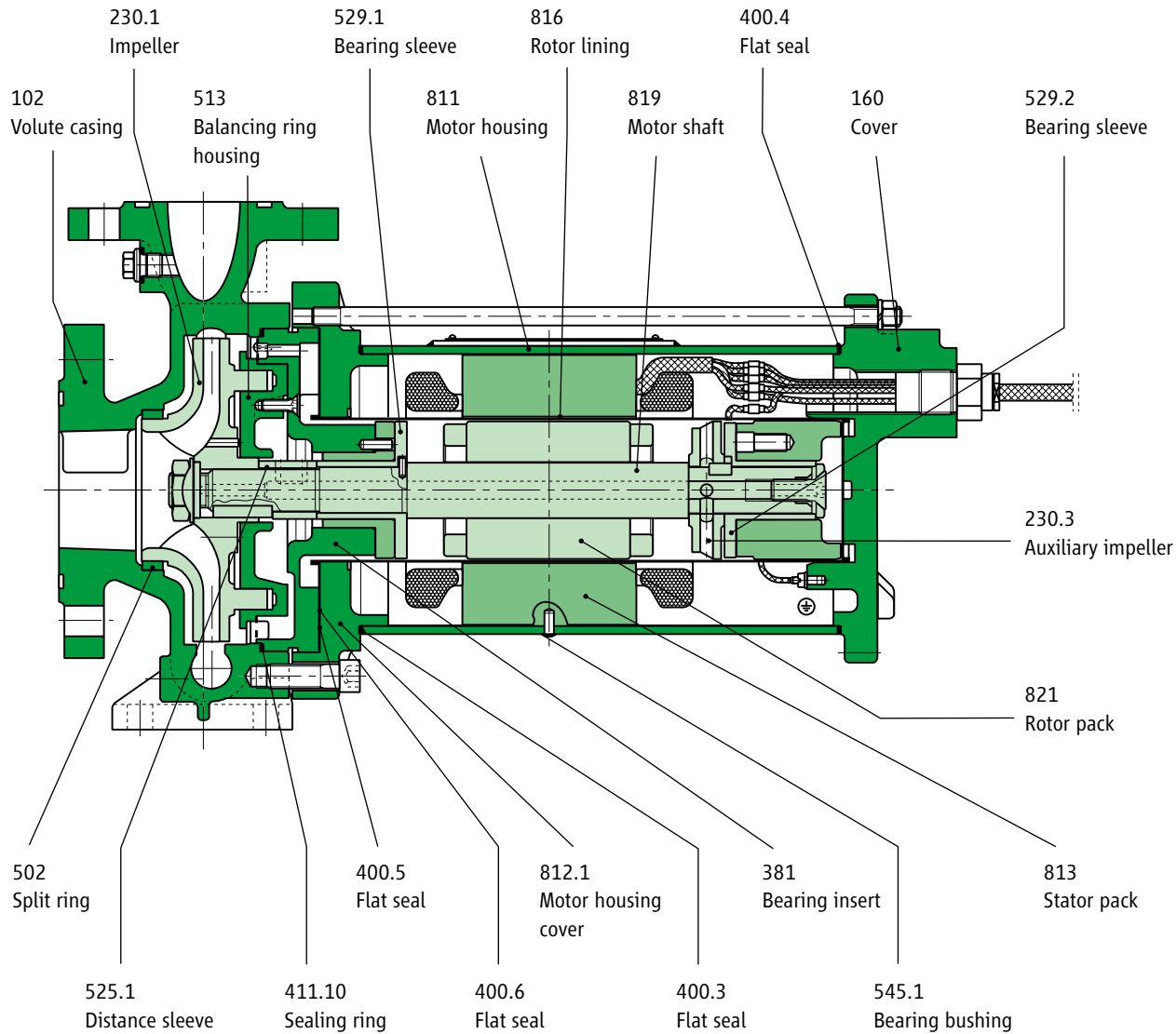
Flow regulation

Design software

Contact



List of parts **CNF**

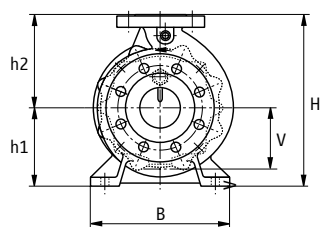
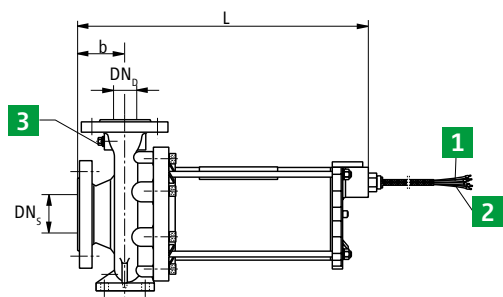


- Table of Contents
- General information
- Function
- Operating principle
- Characteristic maps
- Versions
- List of parts**
- Collective measurements
- Documentation and tests
- Installation
- Protection and monitoring
- Flow regulation
- Design software
- Contact



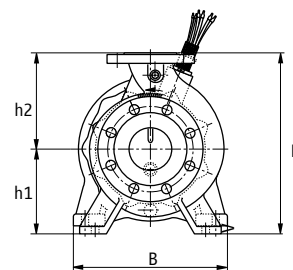
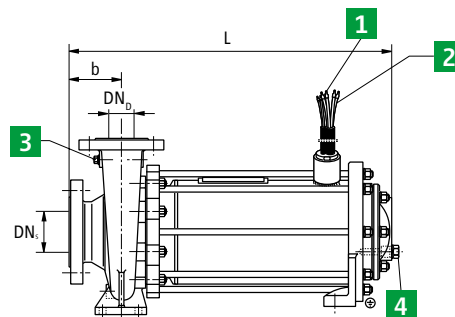
Dimension drawings

Dimension drawing for motors of size:
AGX 3.0 / AGX 4.5 / AGX 6.5



- 1 Cable U1, V1, W1 + protective conductor
AGX 3.0: 4 x 1.5 mm²
AGX 4.5: 4 x 2.5 mm²
AGX 6.5: 4 x 4 mm²
- 2 Cable for PTC thermistor 2 x 1.0 mm²,
Cable 5 + 6, cable length 2.5 m
- 3 Pressure gauge connection G 1/4

Dimension drawing for motors of size:
AGX 8.5 / CKPx 12.0



- 1 Cable U1, V1, W1 + protective conductor ⊕
4 x 6 mm², cable length 2.5 m
- 2 Cable for PTC thermistor 2 x 1.0 mm²,
Cable 5 + 6, cable length 2.5 m
- 3 Pressure gauge connection G 1/4
- 4 Connection for temperature sensor
closed with screw plug DIN 912, G 1/2

Table of Contents

General information

Function

Operating principle

Characteristic maps

Versions

List of parts

Collective measurements

Documentation and tests

Installation

Protection and monitoring

Flow regulation

Design software

Contact



Versions CNF

| Dimen- sions | CNF 32 – 160 | CNF 40 – 160 | CNF 40 – 160 | CNF 40 – 200 | CNF 40 – 200 | CNF 50 – 160 | CNF 50 – 160 | CNF 50 – 200 | CNF 50 – 200 |
|-----------------|-----------------|--------------------|-----------------|-----------------|----------------------|-----------------|----------------------|-----------------|----------------------|
| | AGX 3.0/4.5 | AGX 3.0/4.5/6.5 | AGX 8.5 | AGX 4.5/6.5 | AGX/CKPx 8.5/12.0 | AGX 4.5/6.5 | AGX/CKPx 8.5/12.0 | AGX 6.5 | AGX/CKPx 8.5/12.0 |
| Length / L | 506 | 506 | 575 | 526 | 595/620 | 526 | 595/620 | 526 | 595/620 |
| Width / W | 240 | 240 | 240 | 265 | 265/290 | 265 | 265/290 | 265 | 265/290 |
| Height / H | 292 | 292 | 292 | 340 | 340 | 340 | 340 | 360 | 360 |
| h1 | 132 | 132 | 132 | 160 | 160 | 160 | 160w | 160 | 160 |
| h2 | 160 | 160 | 160 | 180 | 180 | 180 | 180 | 200 | 200 |
| b | 80 | 80 | 80 | 100 | 100 | 100 | 100 | 100 | 100 |
| v | 100 | 100 | 100 | 115 | 115 | 108 | 108 | 118 | 118 |
| DN _s | 50 | 65 | 65 | 65 | 65 | 80 | 80 | 80 | 80 |
| DN _b | 32 | 40 | 40 | 40 | 40 | 50 | 50 | 50 | 50 |

Table of Contents

General information

Function

Operating principle

Characteristic maps

Versions

List of parts

Collective measurements

Documentation and tests

Installation

Protection and monitoring

Flow regulation

Design software

Contact

