



FH SERIES

CENTRIFUGAL ELECTRIC PUMPS IN COMPLIANCE WITH EN 733 - (ex DIN 24255)

Cast iron pump body and AISI 316L stainless steel, laser-technology welded impeller ⁽¹⁾. Suitable for pumping hot and cold, moderately aggressive liquids.

APPLICATIONS

- Water circulation and transfer in civil, industrial and agricultural sectors.
- Pressure boosting.
- Water supply.
- Circulation of hot and cold water in heating and conditioning systems.
- Industrial washing.
- Water display, fountains.

AVAILABLE MODELS

- **FHE** close-coupled with special motor shaft extension.
- **FHS** with stub shaft and standard motor.
- **FHF** with flexible coupling, base and standard motor in compliance with EN 733 - (ex DIN 24255).

SPECIFICATIONS

- **Maximum delivery** up to **500 m³/h.**
- **Maximum head** up to **95 m.**
- Wear ring in stainless steel AISI 316 up to DN80 (except 65-315 and 80-315).
- Mechanical seal lubricated with the pumped liquid through a recirculation channel up to DN 80 (except 65-315 and 80-315).
- **Nominal diameter of ports** up to **150 mm.**
- **Nominal diameter of impeller** up to **315 mm.**
- 2-pole single-phase motors up to 2.2 kW.
- 2 and 4-pole three-phase motors.
- 50 and 60 Hz frequencies.
- Counterflanges available on request.
- IP55 protection.
- Class F insulation.
- **Maximum operating pressure: 12 bar.**
- **Temperature of liquid** from **-10°C to +85°C** for versions up to DN 80 (from **-20°C to +120°C** for versions with EPDM elastomers) from **-10°C to +120°C** for 65-315, 80-315 and for DN 100, 125, 150.
- **Versions with HYDROVAR frequency converter (variable speed) are available on request.**

⁽¹⁾ Impeller in cast iron for some models of DN 65 and DN 80, and DN 100, 125, 150.

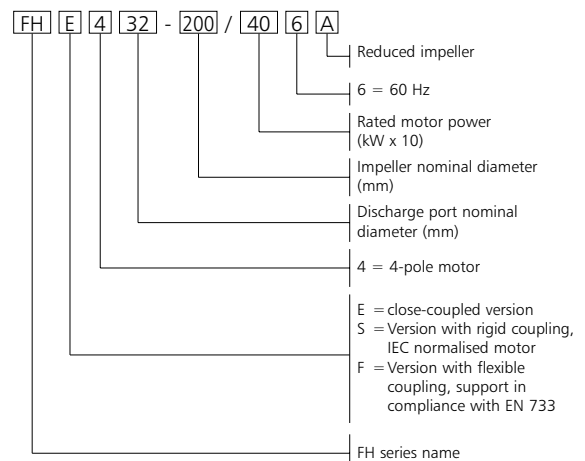


TABLE OF MATERIALS

| PART | MATERIAL |
|---|--|
| Pump body | CAST IRON |
| Impeller 32, 40, 50, 65-125 | STAINLESS STEEL (AISI 316 - DIN 1.4404) |
| Impeller 65-160, 65-200, 65-250, 80, 100, 125, 150 | CAST IRON |
| Adapter | ALUMINIUM OR CAST IRON |
| Mechanical seal* | CERAMIC/CARBON/NBR up to DN 80 CARBON/SILICON CARBIDE/EPDM for 65-315, 80-315, 100,125, 150 |
| O-ring seals | NBR |
| Wear ring, Counterwear ring (only for DN32-80 except for 65-315 and 80-315) | STAINLESS STEEL (AISI 316L - DIN 1.4404) |
| Shaft | STAINLESS STEEL AISI 316 L for DN 32-80 (except for 65-315 and 80-135) STAINLESS STEEL AISI 420 for 65-315, 80-315, 100, 125, 150 |
| Support body (FHF) | CAST IRON (200 - UNI ISO 185) |
| Fill and drain plugs | NICKEL-PLATED BRASS |

* -20°C a 120°C version: Ceramic / Carbon / EPDM

IDENTIFICATION CODE





ELECTRICAL SPECIFICATIONS OF MOTORS WITH SPECIAL SHAFT EXTENSION, FHE SERIES

SINGLE-PHASE 50 Hz 2-POLES MOTORS

| MOTOR TYPE | | | INPUT CURRENT In (A) 220-240 V | CAPACITOR | | DATA FOR 230 V 50 Hz | | | | | |
|------------|------------|---------------------|--------------------------------------|-----------|-----|----------------------|---------|------|------|-------|-------|
| kw | IEC SIZE * | CONSTRUCTION DESIGN | | μF | V | rpm | Is / In | n % | cosφ | Cn Nm | Cs/Cn |
| 0.75 | 90R | B14 | 5.02-5.39 | 30 | 450 | 2875 | 5.1 | 70.6 | 0.91 | 2.49 | 0.71 |
| 1.1 | 90R | B14 | 7.07-6.81 | 30 | 450 | 2800 | 3.80 | 73.8 | 0.95 | 3.75 | 0.47 |
| 1.5 | 90R | B14 | 9.32-8.63 | 40 | 450 | 2780 | 3.45 | 75.5 | 0.97 | 5.15 | 0.47 |
| 2.2 | 90 | B14 | 13.3-12.6 | 50 | 450 | 2785 | 3.45 | 76.9 | 0.97 | 7.54 | 0.36 |

* R = Reduced size of motor casing as compared to shaft extension and flange.

fhe-motm-2p50_a_te

THREE-PHASE 50 Hz 2-POLES MOTORS

| MOTOR TYPE | | | INPUT CURRENT In (A) | | | | DATA FOR 400 V 50 Hz | | | | | |
|------------|------------|---------------------|-------------------------|-----------|-----------|-----------|----------------------|---------|------|------|-------|-------|
| kw | IEC SIZE * | CONSTRUCTION DESIGN | Δ | | Y | | rpm | Is / In | n % | cosφ | Cn Nm | Cs/Cn |
| | | | 220-240 V | 380-415 V | 380-415 V | 660-690 V | | | | | | |
| 0.75 | 90R | B14 | 3.72 | 2.15 | - | - | 2915 | 8.23 | 77.7 | 0.65 | 2.45 | 5.20 |
| 1.1 | 90R | B14 | 4.52 | 2.61 | - | - | 2875 | 6.78 | 78.9 | 0.77 | 3.65 | 3.49 |
| 1.5 | 90R | B14 | 5.98 | 3.45 | - | - | 2875 | 7.04 | 80.1 | 0.78 | 4.98 | 3.83 |
| 2.2 | 90R | B14 | 8.71 | 5.03 | - | - | 2860 | 7.32 | 81.1 | 0.78 | 7.34 | 4.12 |
| 3 | 90 | B14 | 10.8 | 6.22 | - | - | 2845 | 6.81 | 80.4 | 0.87 | 10.1 | 3.00 |
| 4 | 112R | B14 | - | - | 8.14 | 4.70 | 2900 | 7.86 | 83.5 | 0.85 | 13.2 | 2.86 |
| 5.5 | 112 | B14 | - | - | 11.0 | 6.35 | 2910 | 7.71 | 84.5 | 0.85 | 18.0 | 2.66 |
| 7.5 | 112 | B14 | - | - | 14.6 | 8.43 | 2910 | 7.62 | 87.2 | 0.85 | 24.6 | 3.03 |
| 9.2 | 132 | B14 | - | - | 17.5 | 10.1 | 2925 | 8.72 | 86.3 | 0.88 | 30.0 | 3.33 |
| 11 | 132 | B14 | - | - | 21.2 | 12.2 | 2925 | 8.75 | 88.8 | 0.84 | 35.9 | 3.66 |
| 15 | 160 | B34 | - | - | 28.6 | 16.5 | 2940 | 8.56 | 85.3 | 0.89 | 48.7 | 3.10 |
| 18.5 | 160 | B34 | - | - | 34.2 | 19.7 | 2945 | 8.80 | 87.3 | 0.90 | 60.0 | 4.06 |
| 22 | 160 | B34 | - | - | 40.3 | 23.3 | 2945 | 8.61 | 89.5 | 0.88 | 71.2 | 4.79 |

* R = Reduced size of motor casing as compared to shaft extension and flange.

fhe-mott-2p50_a_te

THREE-PHASE 50 Hz 4-POLES MOTORS

| MOTOR TYPE | | | INPUT CURRENT In (A) | | | | DATA FOR 400 V 50 Hz | | | | | |
|------------|------------|---------------------|-------------------------|-----------|-----------|-----------|----------------------|---------|------|------|-------|-------|
| kw | IEC SIZE * | CONSTRUCTION DESIGN | Δ | | Y | | rpm | Is / In | n % | cosφ | Cn Nm | Cs/Cn |
| | | | 220-240 V | 380-415 V | 380-415 V | 660-690 V | | | | | | |
| 0.25 | 71 | B5 | 1.71 | 0.99 | - | - | 1390 | 3.58 | 62.0 | 0.59 | 1.71 | 3.16 |
| 0.37 | 71 | B5 | 2.53 | 1.46 | - | - | 1370 | 3.39 | 61.4 | 0.60 | 2.57 | 3.40 |
| 0.55 | 90R | B14 | 3.03 | 1.75 | - | - | 1390 | 3.95 | 68.2 | 0.67 | 3.77 | 2.45 |
| 0.75 | 90R | B5 | 4.04 | 2.33 | - | - | 1395 | 4.06 | 70.1 | 0.66 | 5.13 | 2.73 |
| 1.1 | 90 | B5 | 4.35 | 2.51 | - | - | 1415 | 4.65 | 78.0 | 0.81 | 7.42 | 2.15 |
| 1.5 | 90 | B5 | 5.85 | 3.38 | - | - | 1420 | 4.99 | 79.9 | 0.80 | 10.1 | 2.26 |
| 2.2 | 100 | B5 | 8.28 | 4.78 | - | - | 1410 | 5.53 | 81.4 | 0.82 | 14.9 | 2.52 |
| 3 | 100 | B5 | 11.0 | 6.37 | - | - | 1425 | 6.03 | 82.5 | 0.82 | 20.1 | 2.53 |
| 4 | 112 | B5 | - | - | 8.38 | 4.84 | 1440 | 5.81 | 84.8 | 0.81 | 26.5 | 2.50 |
| 5.5 | 132 | B14 | - | - | 11.3 | 6.52 | 1445 | 5.98 | 85.8 | 0.82 | 36.3 | 2.60 |
| 7.5 | 132 | B14 | - | - | 15.2 | 8.78 | 1450 | 6.70 | 88.1 | 0.81 | 49.3 | 3.17 |

* R = Reduced size of motor casing as compared to shaft extension and flange.

fhe-mott-4p50_a_te





STANDARD MOTOR ELECTRICAL SPECIFICATIONS FHS - FHF SERIES

THREE-PHASE 50 Hz 2-POLES MOTORS

| MOTOR TYPE | | | | INPUT CURRENT | | | | DATA FOR 400 V 50 Hz | | | | | |
|------------|------------|--------------|-----|---------------|-----------|-----------|-----------|----------------------|---------|------|------|-------|-------|
| kW | IEC SIZE * | CONSTRUCTION | | In (A) | | | | rpm | Is / In | n % | cosφ | Cn Nm | Cs/Cn |
| | | FHS | FHF | Δ | Y | Δ | Y | | | | | | |
| | | | | 220-240 V | 380-415 V | 380-415 V | 660-690 V | | | | | | |
| 0.75 | 80R | B5 | - | 3.50 | 2.02 | - | - | 2855 | 5.81 | 74.3 | 0.72 | 2.51 | 3.76 |
| 0.75 | 80 | - | B3 | 3.72 | 2.15 | - | - | 2915 | 8.23 | 77.7 | 0.65 | 2.45 | 5.20 |
| 1.1 | 80 | B5 | B3 | 4.52 | 2.61 | - | - | 2875 | 6.78 | 78.9 | 0.77 | 3.65 | 3.49 |
| 1.5 | 90R | B5 | - | 5.98 | 3.45 | - | - | 2875 | 7.04 | 80.1 | 0.78 | 4.98 | 3.83 |
| 1.5 | 90 | - | B3 | 5.66 | 3.27 | - | - | 2875 | 6.40 | 76.5 | 0.87 | 4.98 | 2.71 |
| 2.2 | 90R | B5 | - | 8.71 | 5.03 | - | - | 2860 | 7.32 | 81.1 | 0.78 | 7.34 | 4.12 |
| 2.2 | 90 | - | B3 | 8.02 | 4.63 | - | - | 2870 | 6.94 | 80.0 | 0.86 | 7.32 | 2.85 |
| 3 | 100R | B5 | - | 10.8 | 6.22 | - | - | 2845 | 6.81 | 80.4 | 0.87 | 10.1 | 3.00 |
| 3 | 100 | - | B3 | 10.6 | 6.10 | - | - | 2895 | 6.53 | 83.6 | 0.85 | 9.89 | 3.34 |
| 4 | 112R | B5 | - | - | - | 8.14 | 4.70 | 2900 | 7.86 | 83.5 | 0.85 | 13.2 | 2.86 |
| 4 | 112 | - | B3 | - | - | 8.21 | 4.74 | 2915 | 7.41 | 82.2 | 0.86 | 13.1 | 2.58 |
| 5.5 | 132R | B5 | - | - | - | 11.0 | 6.35 | 2910 | 7.71 | 84.5 | 0.85 | 18.0 | 2.66 |
| 5.5 | 132 | - | B3 | - | - | 10.7 | 6.18 | 2905 | 6.53 | 84.4 | 0.88 | 18.1 | 2.39 |
| 7.5 | 132R | B5 | - | - | - | 14.6 | 8.43 | 2910 | 7.62 | 87.2 | 0.85 | 24.6 | 3.03 |
| 7.5 | 132 | - | B3 | - | - | 14.4 | 8.31 | 2915 | 7.37 | 85.8 | 0.88 | 24.6 | 2.69 |
| 11 | 160 | B35 | B3 | - | - | 21.6 | 12.5 | 2925 | 6.83 | 82.4 | 0.89 | 35.9 | 2.97 |
| 15 | 160 | B35 | B3 | - | - | 28.6 | 16.5 | 2940 | 8.56 | 85.3 | 0.89 | 48.7 | 3.10 |
| 18.5 | 160 | B35 | B3 | - | - | 34.2 | 19.7 | 2945 | 8.80 | 87.3 | 0.90 | 60.0 | 4.06 |
| 22 | 180R | B35 | - | - | - | 40.3 | 23.3 | 2945 | 8.61 | 89.5 | 0.88 | 71.2 | 4.79 |
| 22 | 180 | - | B3 | - | - | 42.0 | 24.2 | 2930 | 7.10 | 90.0 | 0.84 | 71.0 | 2.50 |
| 30 | 200 | B35 | B3 | - | - | 55.0 | 31.8 | 2945 | 6.80 | 90.5 | 0.87 | 97.0 | 2.40 |
| 37 | 200 | B35 | B3 | - | - | 67.0 | 38.7 | 2940 | 7.20 | 91.5 | 0.87 | 120 | 2.50 |
| 45 | 225 | B35 | B3 | - | - | 81.0 | 46.8 | 2955 | 6.70 | 91.3 | 0.88 | 145 | 2.40 |
| 55 | 250 | B35 | B3 | - | - | 98.0 | 56.6 | 2960 | 6.70 | 92.1 | 0.88 | 177 | 2.40 |

* R = Reduced size of motor casing as compared to shaft extension and flange.

fhs-fhf-mott-2p50_a_te

THREE-PHASE 50 Hz 4-POLES MOTORS

| MOTOR TYPE | | | | INPUT CURRENT | | | | DATA FOR 400 V 50 Hz | | | | | |
|------------|------------|--------------|-----|---------------|-----------|-----------|-----------|----------------------|---------|------|------|-------|-------|
| kW | IEC SIZE * | CONSTRUCTION | | In (A) | | | | rpm | Is / In | n % | cosφ | Cn Nm | Cs/Cn |
| | | FHS | FHF | Δ | Y | Δ | Y | | | | | | |
| | | | | 220-240 V | 380-415 V | 380-415 V | 660-690 V | | | | | | |
| 0.25 | 71 | - | B3 | 1.71 | 0.99 | - | - | 1390 | 3.58 | 62.0 | 0.59 | 1.71 | 3.16 |
| 0.37 | 71 | - | B3 | 2.53 | 1.46 | - | - | 1370 | 3.39 | 61.4 | 0.6 | 2.57 | 3.40 |
| 0.55 | 80 | B5 | B3 | 3.03 | 1.75 | - | - | 1390 | 3.95 | 68.2 | 0.67 | 3.77 | 2.45 |
| 0.75 | 80 | B5 | B3 | 4.04 | 2.33 | - | - | 1395 | 4.06 | 70.1 | 0.66 | 5.13 | 2.73 |
| 1.1 | 90 | B5 | B3 | 4.35 | 2.51 | - | - | 1415 | 4.65 | 78.0 | 0.81 | 7.42 | 2.15 |
| 1.5 | 90 | B5 | B3 | 5.85 | 3.38 | - | - | 1420 | 4.99 | 79.9 | 0.8 | 10.1 | 2.26 |
| 2.2 | 100 | B5 | B3 | 8.28 | 4.78 | - | - | 1410 | 5.53 | 81.4 | 0.82 | 14.9 | 2.52 |
| 3 | 100 | B5 | B3 | 11.0 | 6.37 | - | - | 1425 | 6.03 | 82.5 | 0.82 | 20.1 | 2.53 |
| 4 | 112 | B5 | B3 | - | - | 8.38 | 4.84 | 1440 | 5.81 | 84.8 | 0.81 | 26.5 | 2.50 |
| 5.5 | 132 | B5 | B3 | - | - | 11.3 | 6.52 | 1445 | 5.98 | 85.8 | 0.82 | 36.3 | 2.60 |
| 7.5 | 132 | B5 | B3 | - | - | 15.2 | 8.78 | 1450 | 6.70 | 88.1 | 0.81 | 49.3 | 3.17 |
| 11 | 160 | B5 | - | - | - | 22.5 | 13.0 | 1460 | 5.20 | 87.0 | 0.81 | 72.0 | 2.00 |
| 15 | 160 | B5 | - | - | - | 30.4 | 17.6 | 1460 | 5.90 | 88.0 | 0.81 | 96.0 | 2.30 |
| 18.5 | 180 | B5 | - | - | - | 37.1 | 21.4 | 1465 | 6.20 | 88.0 | 0.82 | 120 | 2.30 |
| 22 | 180 | B5 | - | - | - | 42.6 | 24.6 | 1465 | 6.30 | 89.0 | 0.84 | 143 | 2.40 |
| 30 | 200 | B5 | - | - | - | 57.3 | 33.1 | 1465 | 6.60 | 90.0 | 0.84 | 195 | 2.40 |

* R = Reduced size of motor casing as compared to shaft extension and flange.

fhs-fhf-mott-4p50_a_te



**FHE - FHS - FHF SERIES
HYDRAULIC PERFORMANCE TABLE 50 Hz, 4 POLES**

| PUMP TYPE | POWER | | Q = DELIVERY | | | | | | | | | | | | | | | | | | | |
|------------|-------|---------------------------------------|--------------|------|------|------|------|------|------|------|------|------|------|------|------|------|------|------|------|------|------|------|
| | | | l/min | 0 | 50 | 75 | 100 | 125 | 150 | 175 | 200 | 250 | 300 | 400 | 500 | 600 | 800 | 1000 | 1200 | 1400 | 1600 | 1800 |
| | | | m³/h | 0 | 3 | 4,5 | 6 | 7,5 | 9 | 10,5 | 12 | 15 | 18 | 24 | 30 | 36 | 48 | 60 | 72 | 84 | 96 | 108 |
| | | H = TOTAL HEAD METERS COLUMN OF WATER | | | | | | | | | | | | | | | | | | | | |
| | | kW | HP | | | | | | | | | | | | | | | | | | | |
| 32-125/02A | 0,25 | 0,33 | 4,4 | 4,2 | 3,9 | 3,5 | 3,1 | 2,5 | 1,9 | | | | | | | | | | | | | |
| 32-125/02 | 0,25 | 0,33 | 5,5 | 5,2 | 5 | 4,7 | 4,3 | 3,8 | 3,1 | 2,4 | | | | | | | | | | | | |
| 32-160/02 | 0,25 | 0,33 | 6,5 | 6,1 | 5,8 | 5,4 | 4,9 | 4,3 | 3,6 | 2,8 | | | | | | | | | | | | |
| 32-160/03 | 0,37 | 0,5 | 8,5 | 8 | 7,7 | 7,3 | 6,9 | 6,3 | 5,7 | 4,9 | | | | | | | | | | | | |
| 32-200/03 | 0,37 | 0,5 | 9,9 | 9,2 | 8,7 | 8,1 | 7,4 | 6,7 | 5,9 | 5 | | | | | | | | | | | | |
| 32-200/05 | 0,55 | 0,75 | 12,5 | 11,9 | 11,3 | 10,7 | 10,1 | 9,3 | 8,4 | 7,5 | 5,4 | | | | | | | | | | | |
| 32-250/07 | 0,75 | 1 | 19,4 | 18,5 | 17,7 | 16,7 | 15,5 | 13,8 | 11,7 | 9 | | | | | | | | | | | | |
| 32-250/11 | 1,1 | 1,5 | 22,5 | 21,6 | 20,8 | 19,9 | 18,6 | 17 | 15 | 12,5 | | | | | | | | | | | | |
| 40-125/02A | 0,25 | 0,33 | 4 | | | | 3,9 | 3,8 | 3,6 | 3,4 | 2,9 | 2,2 | | | | | | | | | | |
| 40-125/02 | 0,25 | 0,33 | 5,1 | | | | 4,9 | 4,7 | 4,5 | 4,3 | 3,8 | 3,1 | | | | | | | | | | |
| 40-125/03 | 0,37 | 0,5 | 6,3 | | | | 6 | 5,8 | 5,6 | 5,4 | 4,9 | 4,2 | 2,3 | | | | | | | | | |
| 40-160/03 | 0,37 | 0,5 | 7,4 | | | | 6,9 | 6,7 | 6,4 | 6,1 | 5,4 | 4,6 | | | | | | | | | | |
| 40-160/05 | 0,55 | 0,75 | 9,1 | | | | 8,7 | 8,5 | 8,2 | 7,9 | 7,2 | 6,3 | 4,3 | | | | | | | | | |
| 40-200/07 | 0,75 | 1 | 11,6 | | | | 11 | 10,8 | 10,5 | 10,2 | 9,4 | 8,4 | | | | | | | | | | |
| 40-200/11 | 1,1 | 1,5 | 14,1 | | | | 13,4 | 13,2 | 12,9 | 12,6 | 11,8 | 10,8 | 8,3 | | | | | | | | | |
| 40-250/11 | 1,1 | 1,5 | 15 | | | | 14 | 13,7 | 13,3 | 13 | 12,2 | 11,2 | 8,5 | | | | | | | | | |
| 40-250/15 | 1,5 | 2 | 17,5 | | | | 16,5 | 16,2 | 15,8 | 15,5 | 14,6 | 13,5 | 10,8 | | | | | | | | | |
| 40-250/22 | 2,2 | 3 | 21 | | | | 19,7 | 19,3 | 19 | 18,5 | 17,6 | 16,6 | 14 | 10,6 | | | | | | | | |
| 40-125/03A | 0,37 | 0,5 | 4,3 | | | | | | | 4,2 | 4,1 | 3,9 | 3,4 | 2,7 | 1,8 | | | | | | | |
| 50-125/03 | 0,37 | 0,5 | 5 | | | | | | | 4,8 | 4,6 | 4,4 | 3,9 | 3,3 | 2,4 | | | | | | | |
| 50-125/05 | 0,55 | 0,75 | 5,9 | | | | | | | 5,8 | 5,7 | 5,5 | 5,1 | 4,4 | 3,5 | | | | | | | |
| 50-160/07 | 0,75 | 1 | 7,9 | | | | | | | 7,8 | 7,6 | 7,4 | 6,8 | 5,8 | 4,7 | | | | | | | |
| 50-160/11 | 1,1 | 1,5 | 9,7 | | | | | | | 9,5 | 9,3 | 9,1 | 8,5 | 7,6 | 6,5 | | | | | | | |
| 50-200/11 | 1,1 | 1,5 | 12,1 | | | | | | | 11,6 | 11,3 | 10,9 | 9,9 | 8,6 | 7,1 | | | | | | | |
| 50-200/15 | 1,5 | 2 | 13,9 | | | | | | | 13,3 | 13 | 12,6 | 11,6 | 10,2 | 8,6 | | | | | | | |
| 50-250/22A | 2,2 | 3 | 16,5 | | | | | | | 16,2 | 16 | 15,6 | 14,6 | 13,2 | 11,4 | | | | | | | |
| 50-250/22 | 2,2 | 3 | 18,6 | | | | | | | 18 | 17,8 | 17,4 | 16,5 | 15,2 | 13,4 | | | | | | | |
| 50-250/30 | 3 | 4 | 21 | | | | | | | 20,5 | 20,3 | 20 | 19 | 17,8 | 16,2 | 11,8 | | | | | | |
| 65-125/05 | 0,55 | 0,75 | 4,6 | | | | | | | | | | 4,1 | 3,8 | 3,4 | 2,5 | | | | | | |
| 65-125/07 | 0,75 | 1 | 5,6 | | | | | | | | | | 5,1 | 4,9 | 4,5 | 3,7 | 2,6 | | | | | |
| 65-125/11 | 1,1 | 1,5 | 6,6 | | | | | | | | | | 6,3 | 6,1 | 5,9 | 5,2 | 4,2 | | | | | |
| 65-160/11 | 1,1 | 1,5 | 8 | | | | | | | | | | 7,6 | 7,3 | 7 | 6 | 4,8 | 3,4 | | | | |
| 65-160/15 | 1,5 | 2 | 8,8 | | | | | | | | | | 8,5 | 8,3 | 8 | 7,1 | 6 | 4,6 | | | | |
| 65-160/22 | 2,2 | 3 | 10,3 | | | | | | | | | | 10,1 | 9,8 | 9,5 | 8,8 | 7,8 | 6,5 | 5 | | | |
| 65-200/15 | 1,5 | 2 | 10 | | | | | | | | | | 10 | 9,6 | 9,1 | 7,9 | 6,4 | 4,6 | | | | |
| 65-200/22 | 2,2 | 3 | 12,4 | | | | | | | | | | 12,5 | 12,2 | 11,8 | 10,7 | 9,3 | 7,6 | | | | |
| 65-200/30 | 3 | 4 | 14,4 | | | | | | | | | | 14,5 | 14,3 | 13,8 | 12,7 | 11,3 | 9,6 | 7,5 | | | |
| 65-250/30 | 3 | 4 | 15,4 | | | | | | | | | | 15 | 14,6 | 13,9 | 12 | 9,7 | 6,7 | | | | |
| 65-250/40 | 4 | 5,5 | 19 | | | | | | | | | | 18,8 | 18,3 | 17,8 | 15,7 | 14,4 | 11,7 | | | | |
| 65-250/50 | 5,5 | 7,5 | 22,3 | | | | | | | | | | 21,7 | 21,3 | 20,9 | 19,5 | 17,7 | 15,1 | 12 | | | |
| 65-315/75 | 7,5 | 10 | 30,8 | | | | | | | | | | | | 30 | 29,8 | 28,8 | 27,6 | 25,8 | 23,3 | 19,7 | |
| 65-315/110 | 11 | 15 | 36,2 | | | | | | | | | | | | 35,7 | 35,5 | 34,7 | 33,5 | 31,8 | 29,8 | 31,8 | 23 |

FH



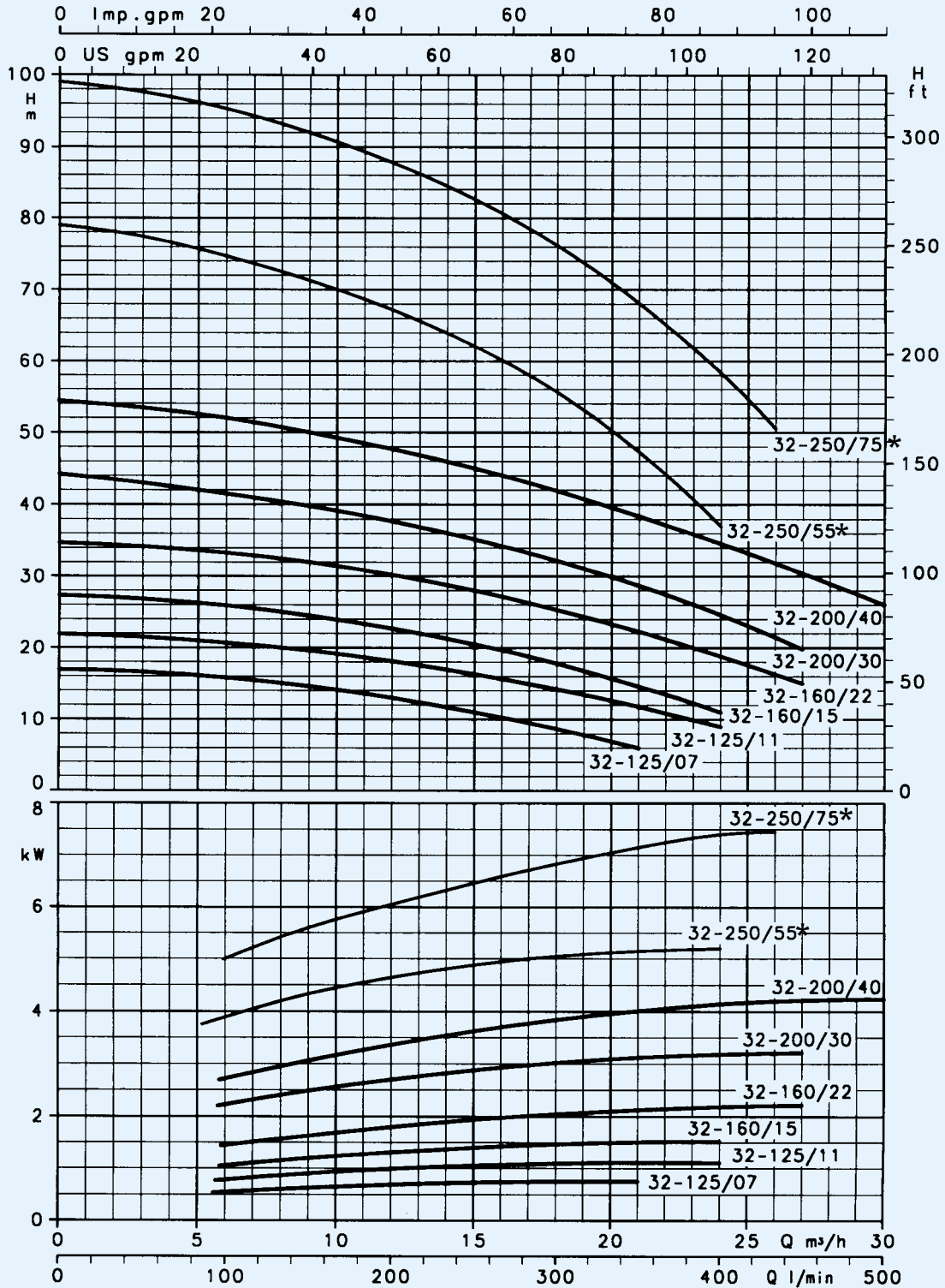
**FHE - FHS - FHF SERIES
HYDRAULIC PERFORMANCE TABLE 50 Hz, 4 POLES**

| PUMP TYPE | POWER | | Q = DELIVERY | | | | | | | | | | | | | | | | | | | | |
|-------------|-------|---------------------------------------|--------------|------|------|------|------|------|------|------|------|------|------|------|------|------|------|------|------|------|------|-------|--|
| | | | l/min | 0 | 600 | 800 | 1000 | 1200 | 1600 | 1800 | 2200 | 2500 | 2900 | 3400 | 2900 | 4400 | 5200 | 6000 | 6800 | 7800 | 8900 | 10000 | |
| | | | m³/h | 0 | 36 | 48 | 60 | 72 | 96 | 108 | 132 | 150 | 174 | 204 | 234 | 264 | 312 | 360 | 408 | 468 | 534 | 600 | |
| | | H = TOTAL HEAD METERS COLUMN OF WATER | | | | | | | | | | | | | | | | | | | | | |
| | | kW | HP | | | | | | | | | | | | | | | | | | | | |
| 80-160/15 | 1,5 | 2 | 7,2 | 7,4 | 7 | 6,4 | 5,5 | 3,5 | 2,3 | | | | | | | | | | | | | | |
| 80-160/22 | 2,2 | 3 | 8,5 | 8,8 | 8,5 | 8 | 7,4 | 5,7 | 4,5 | | | | | | | | | | | | | | |
| 80-200/30 | 3 | 4 | 11,2 | 11,3 | 10,8 | 10,1 | 9,2 | 6,6 | 5 | | | | | | | | | | | | | | |
| 80-200/40 | 4 | 5,5 | 13,8 | 14,3 | 14 | 13,3 | 12,4 | 10 | 8,5 | | | | | | | | | | | | | | |
| 80-250/40 | 4 | 5,5 | 16,5 | 16,4 | 15,8 | 14,8 | 13,2 | 9 | 6,3 | | | | | | | | | | | | | | |
| 80-250/55 | 5,5 | 7,5 | 19,8 | 19,9 | 19,3 | 18,4 | 17,2 | 13,5 | 11,1 | | | | | | | | | | | | | | |
| 80-250/75 | 7,5 | 10 | 23,6 | 24,8 | 23,3 | 22,5 | 21,3 | 18,1 | 16 | 11,3 | | | | | | | | | | | | | |
| 80-315/110 | 11 | 15 | 31,5 | | 30,7 | 30 | 29 | 26,3 | 24,7 | 19,8 | 14,2 | | | | | | | | | | | | |
| 80-315/150 | 15 | 20 | 38,3 | | 37,8 | 37,2 | 36,4 | 33,8 | 32,2 | 27,8 | 23,8 | 16,3 | | | | | | | | | | | |
| 100-160/30 | 3 | 4 | 9 | | | | 8,2 | 7,5 | 7,1 | 5,8 | 4,9 | | | | | | | | | | | | |
| 100-200/40 | 4 | 5,5 | 12,4 | | | | 11,5 | 10,4 | 9,8 | 7,8 | 6,2 | | | | | | | | | | | | |
| 100-200/55 | 5,5 | 7,5 | 15 | | | | 14,3 | 13,5 | 13 | 11,3 | 10 | 7,7 | | | | | | | | | | | |
| 100-250/75 | 7,5 | 10 | 21 | | | | 20 | 18,8 | 18 | 15,7 | 13,8 | 10 | | | | | | | | | | | |
| 100-250/110 | 11 | 15 | 27 | | | | 26,2 | 25,3 | 24,5 | 22,5 | 20,7 | 17,8 | 13 | | | | | | | | | | |
| 100-315/150 | 15 | 20 | 31,2 | | | | 30,2 | 29 | 28,2 | 26 | 24,3 | 21,2 | 16,2 | | | | | | | | | | |
| 100-315/185 | 18,5 | 25 | 34,8 | | | | 34 | 33 | 32,3 | 30,5 | 29 | 26,2 | 21,7 | 16 | | | | | | | | | |
| 100-315/220 | 22 | 30 | 38,8 | | | | 37,8 | 37 | 36,3 | 34,6 | 33,3 | 30,8 | 26,8 | 21,5 | 15,3 | | | | | | | | |
| 125-200/55 | 5,5 | 7,5 | 11 | | | | | | | 8,8 | 8,2 | 7,5 | 6,3 | 5,2 | 3,7 | | | | | | | | |
| 125-200/75 | 7,5 | 10 | 15 | | | | | | | 12,8 | 12,3 | 11,6 | 10,3 | 9 | 7,3 | | | | | | | | |
| 125-250/110 | 11 | 15 | 19,4 | | | | | | | 18 | 17,3 | 16 | 14,2 | 12,2 | 9,7 | 5,4 | | | | | | | |
| 125-250/150 | 15 | 20 | 23,4 | | | | | | | 22,4 | 22 | 21 | 19,3 | 17,3 | 15 | 10,8 | | | | | | | |
| 125-250/185 | 18,5 | 25 | 26 | | | | | | | 25,2 | 24,8 | 24,2 | 22,8 | 21,3 | 19,2 | 15,3 | 11 | | | | | | |
| 125-315/220 | 22 | 30 | 30,6 | | | | | | | 29,3 | 28,8 | 27,8 | 26,3 | 24,3 | 21,8 | 17,2 | 11 | | | | | | |
| 125-315/300 | 30 | 40 | 36,3 | | | | | | | 35,5 | 35 | 34,3 | 32,8 | 31,3 | 29,2 | 25 | 19,3 | 12,5 | | | | | |
| 150-250/150 | 15 | 20 | 18,3 | | | | | | | | | 17,3 | 16,7 | 16 | 15 | 13,3 | 11,6 | 9,5 | 6,6 | | | | |
| 150-250/185 | 18,5 | 25 | 21,5 | | | | | | | | | 20,7 | 20 | 19,5 | 18,7 | 17,2 | 15,3 | 13,3 | 10,4 | 6,5 | | | |
| 150-250/220 | 22 | 30 | 24 | | | | | | | | | 23,3 | 22,7 | 22,2 | 21,4 | 20 | 18,3 | 16,4 | 13,5 | 9,8 | | | |
| 150-250/300 | 30 | 40 | 25,5 | | | | | | | | | 24,8 | 24,4 | 23,8 | 23 | 21,7 | 20,3 | 18,3 | 15,4 | 11,7 | | | |
| 150-315/300 | 30 | 40 | 30,4 | | | | | | | | | 29,5 | 28,8 | 28,3 | 27,4 | 25,8 | 28,8 | 21,4 | 18 | 14 | 8,5 | | |





FH 32 SERIES
OPERATING CHARACTERISTICS at 2900 rpm 50 Hz, 2 POLES



* 2FHE Version

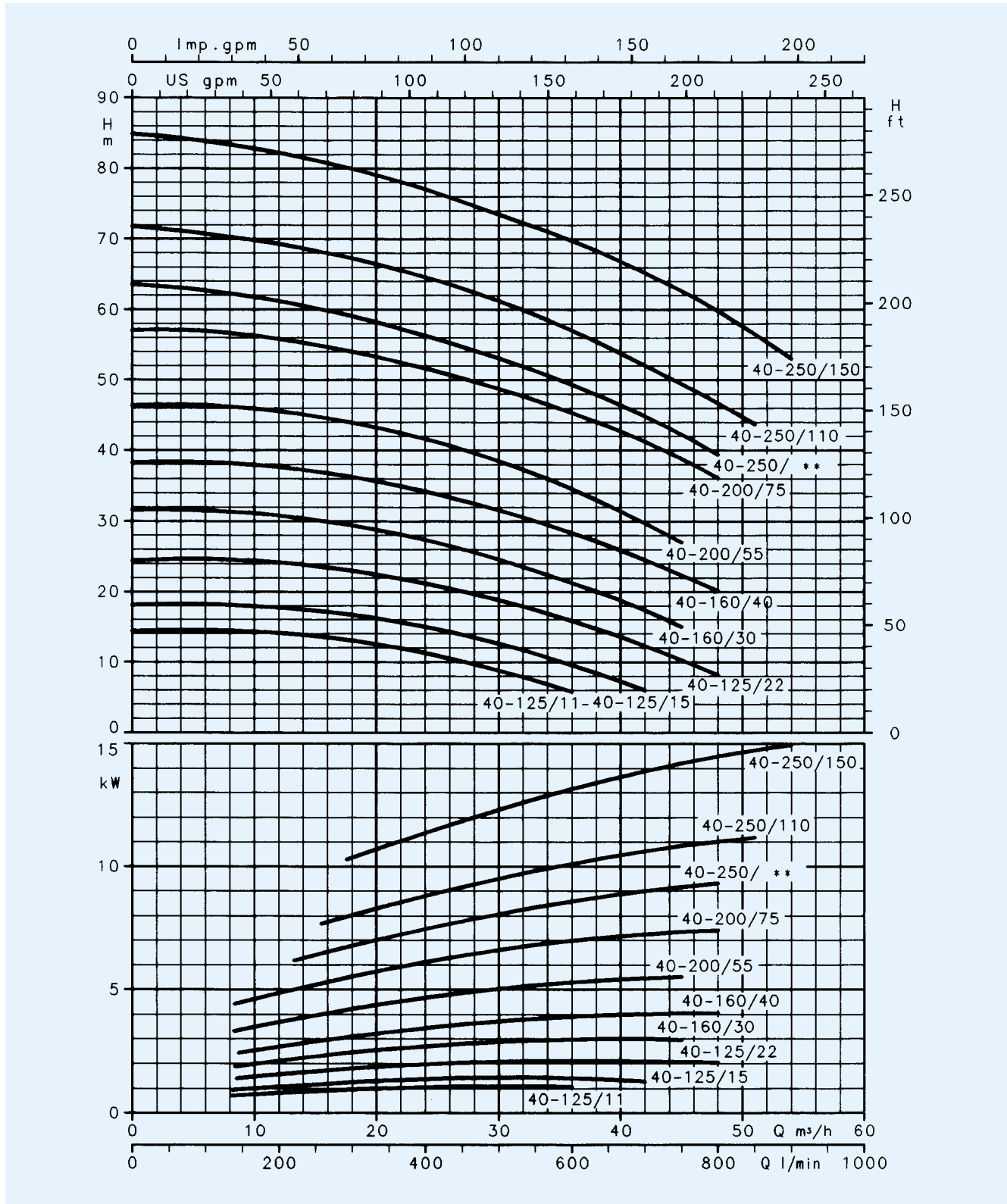
Please verify with the price list the availability of model type FHE-FHS-FHF
 These performances are valid for liquids with density $\rho = 1.0 \text{ kg/dm}^3$ and kinematic viscosity $\gamma = 1 \text{ mm}^2/\text{sec}$.

FH



FH 40 SERIES

OPERATING CHARACTERISTICS at 2900 rpm 50 Hz, 2 POLES



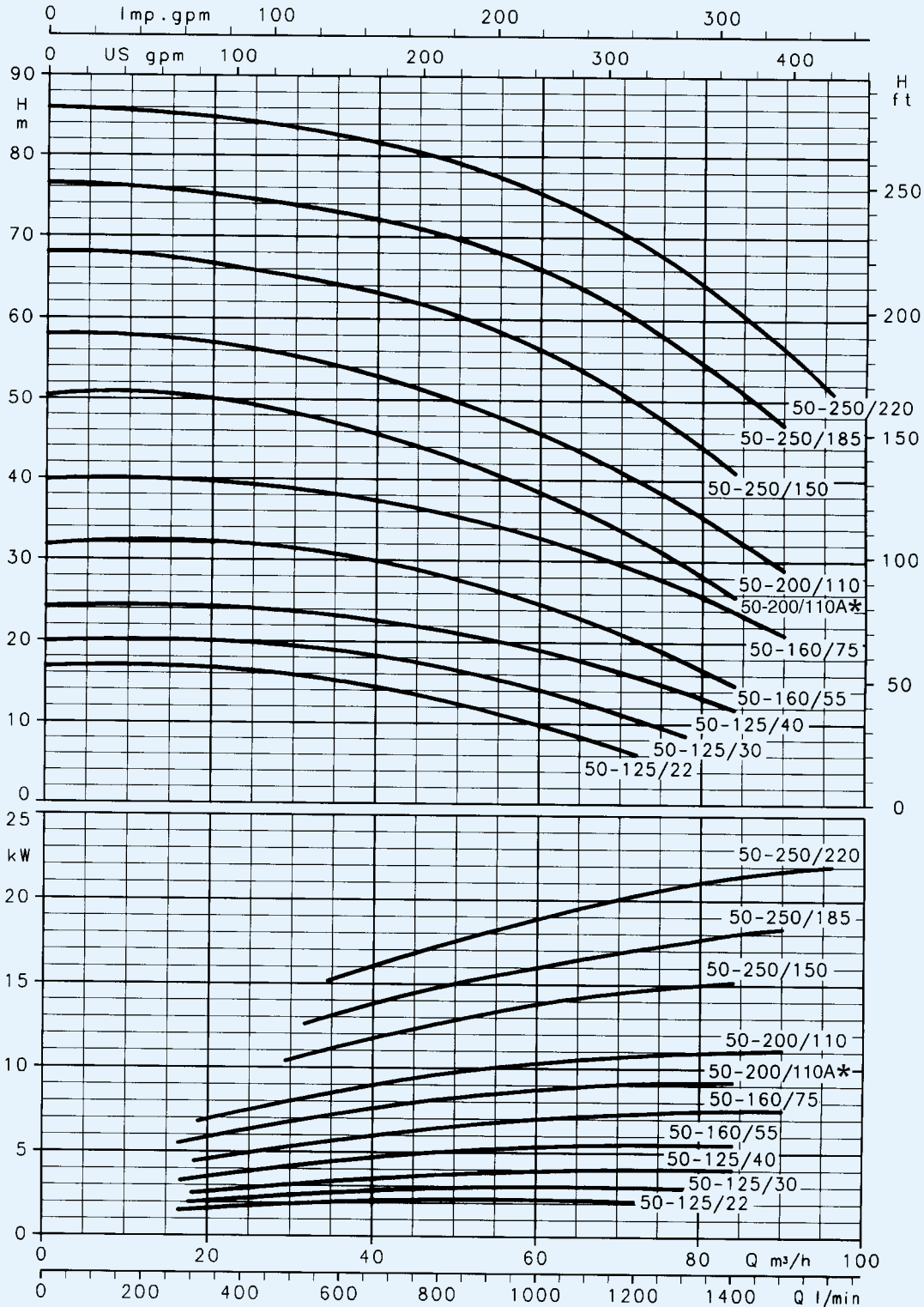
** /92 - 9,2 - 12,5HP for version FHE - /110A - 11kW - 15HP for version FHS-FHF

Please verify with the price list the availability of model type FHE-FHS-FHF
 These performances are valid for liquids with density $\rho = 1.0 \text{ kg/dm}^3$ and kinematic viscosity $\gamma = 1 \text{ mm}^2/\text{sec}$.





FH 50 SERIES
OPERATING CHARACTERISTICS at 2900 rpm 50 Hz, 2 POLES



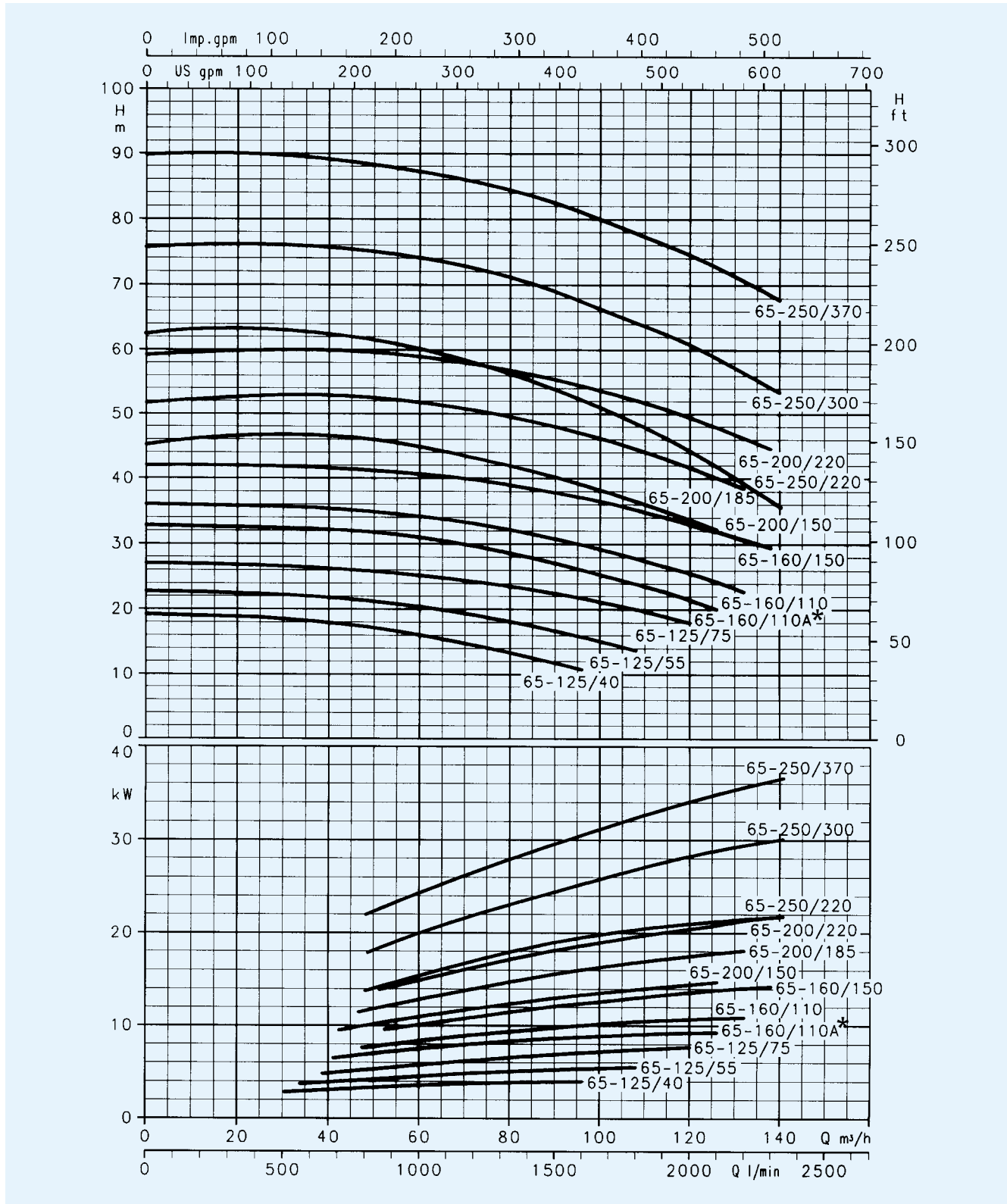
* /92 - 9,2 kW - 12,5 HP for version FHE - /110A - 11 kW - 15 HP for version FHS-FHF

Please verify with the price list the availability of model type FHE-FHS-FHF
 These performances are valid for liquids with density $\rho = 1.0 \text{ kg/dm}^3$ and kinematic viscosity $\gamma = 1 \text{ mm}^2/\text{sec}$.

FH



FH 65 SERIES
OPERATING CHARACTERISTICS at 2900 rpm 50 Hz, 2 POLES



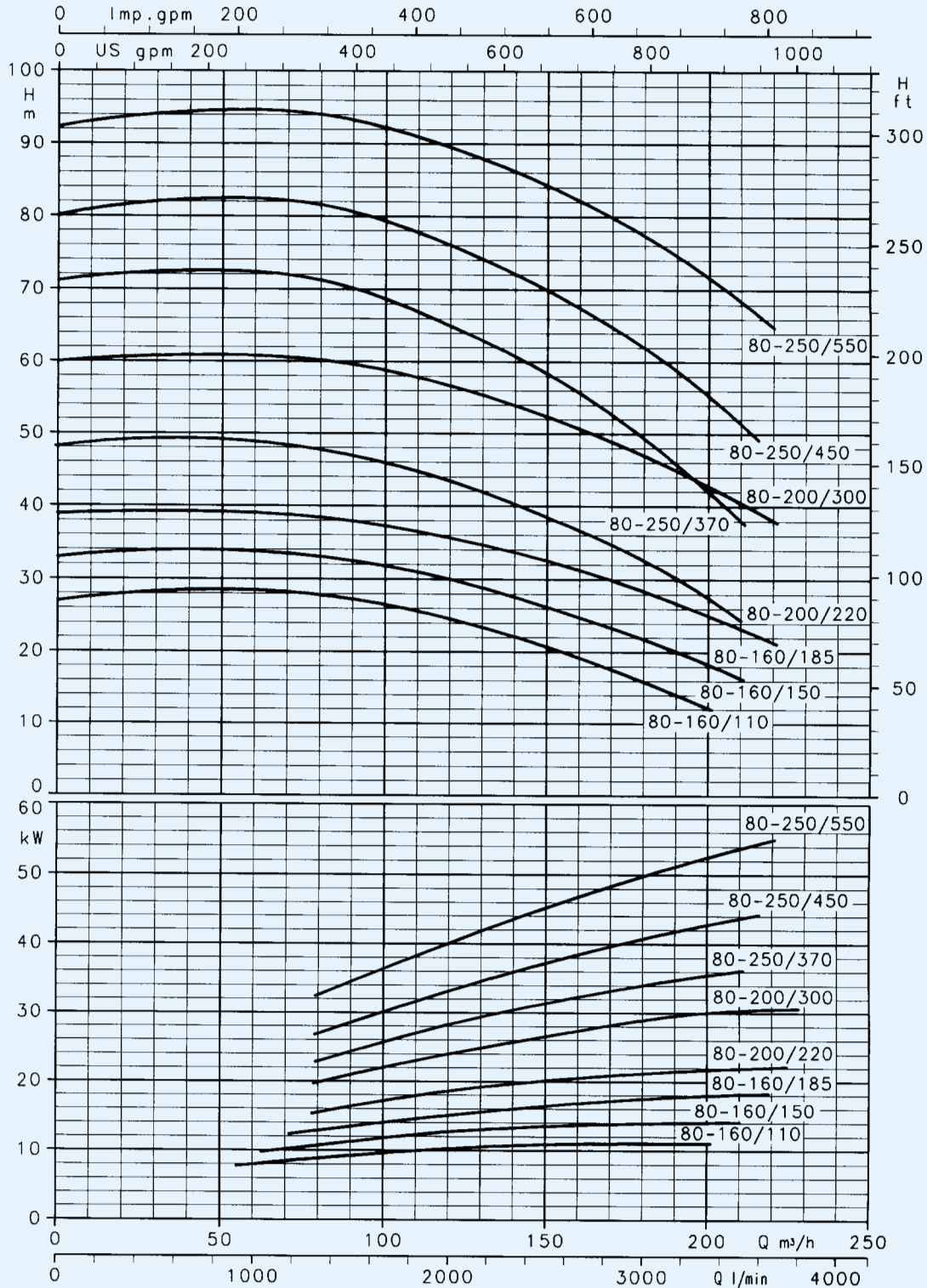
* /92 - 9,2 kW - 12,5 HP for version FHE - /110A - 11 kW - 15 HP for version FHS-FHF

Please verify with the price list the availability of model type FHE-FHS-FHF
 These performances are valid for liquids with density $\rho = 1.0 \text{ kg/dm}^3$ and kinematic viscosity $\gamma = 1 \text{ mm}^2/\text{sec}$.





FH 80 SERIES
OPERATING CHARACTERISTICS at 2900 rpm 50 Hz, 2 POLES

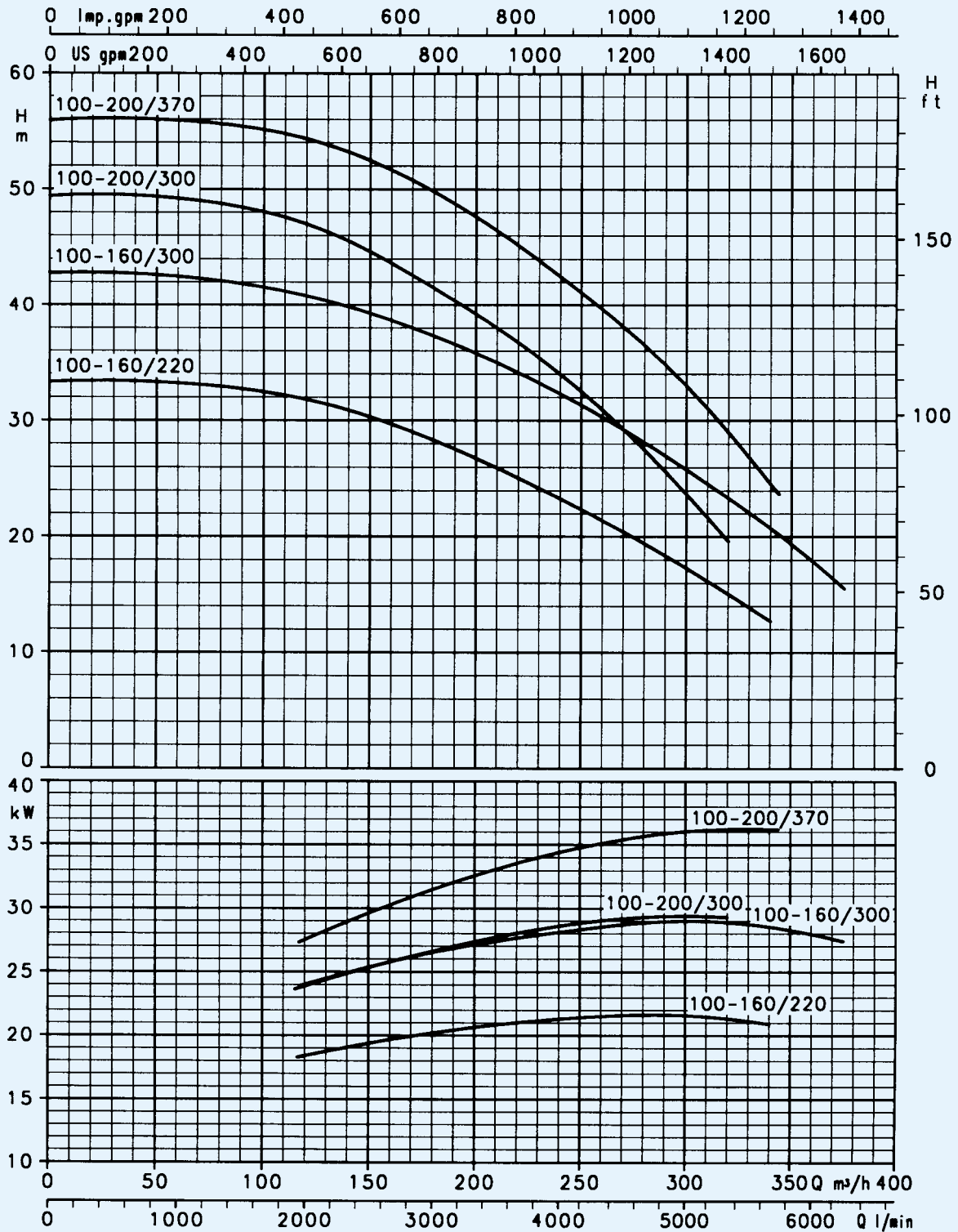


FH

Please verify with the price list the availability of model type FHE-FHS-FHF
 These performances are valid for liquids with density $\rho = 1.0 \text{ kg/dm}^3$ and kinematic viscosity $\gamma = 1 \text{ mm}^2/\text{sec}$.



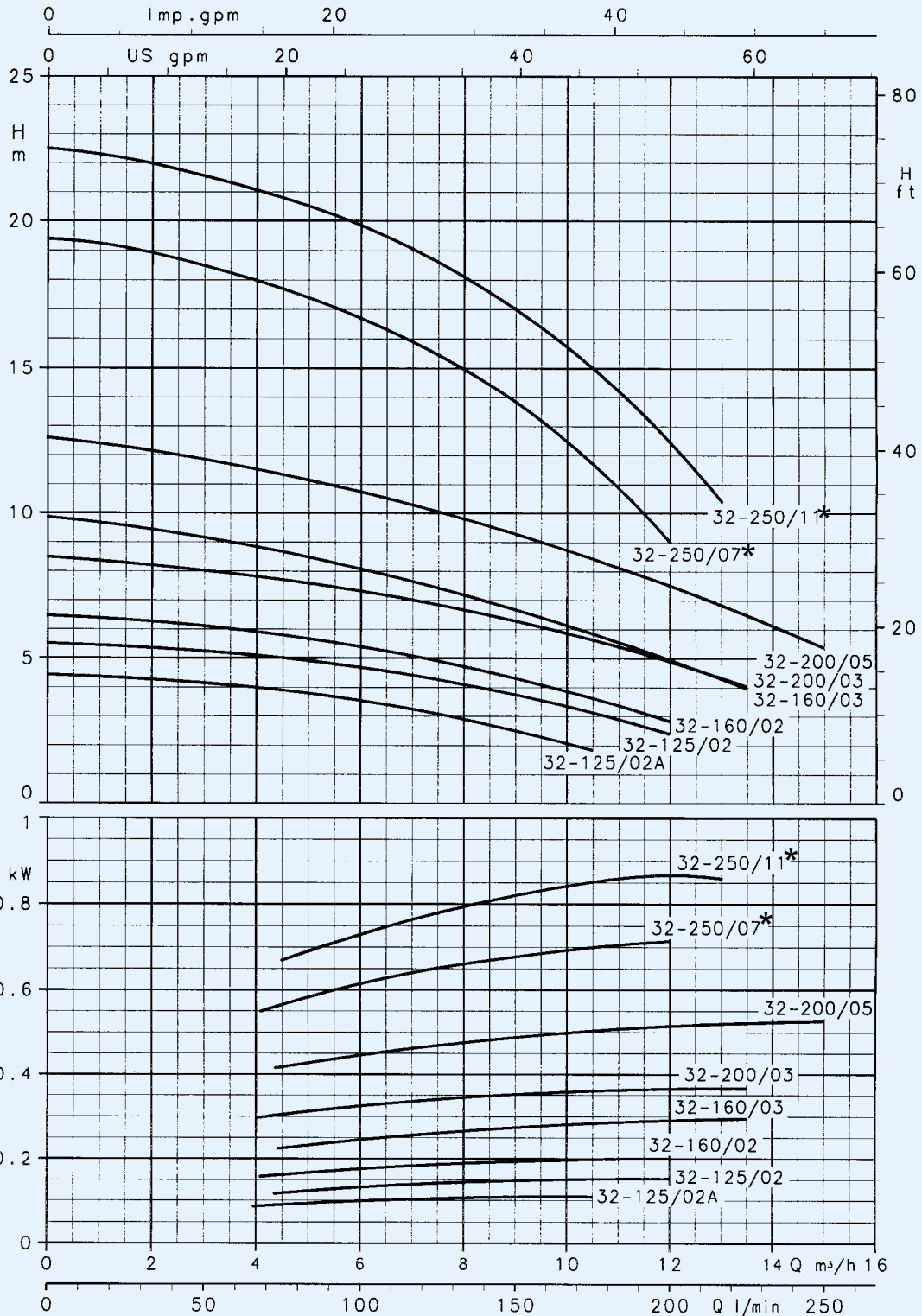
**FH 100 SERIES
OPERATING CHARACTERISTICS at 2900 rpm 50 Hz, 2 POLES**



Please verify with the price list the availability of model type FHE-FHS-FHF
These performances are valid for liquids with density $\rho = 1.0 \text{ kg/dm}^3$ and kinematic viscosity $\gamma = 1 \text{ mm}^2/\text{sec}$.



FH4 32 SERIES
OPERATING CHARACTERISTICS at 1450 rpm 50 Hz, 4 POLES



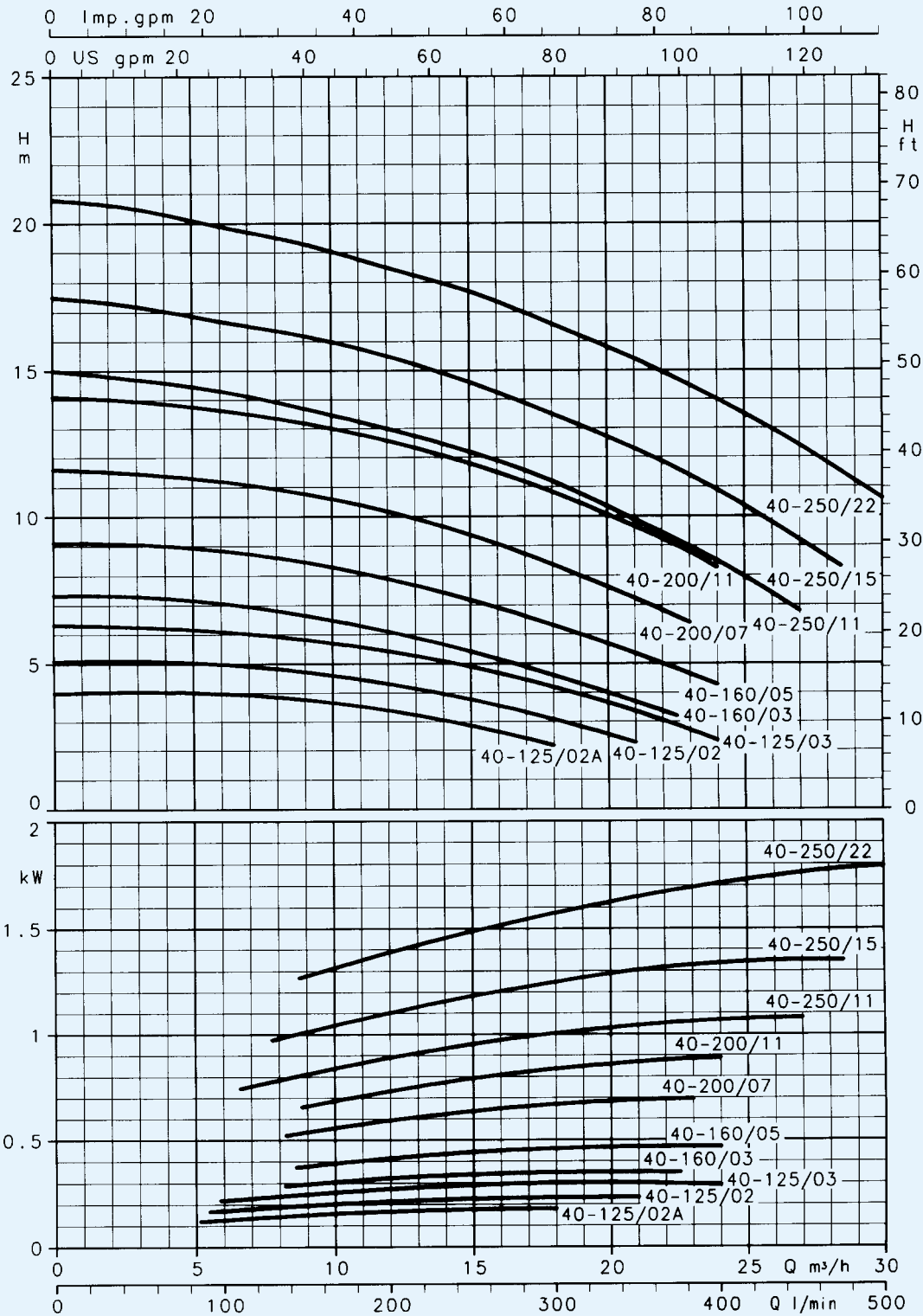
* Version 2FHE4

Please verify with the price list the availability of model type FHE-FHS-FHF
 These performances are valid for liquids with density $\rho = 1.0 \text{ kg/dm}^3$ and kinematic viscosity $\gamma = 1 \text{ mm}^2/\text{sec}$.





FH4 40 SERIES
OPERATING CHARACTERISTICS at 1450 rpm 50 Hz, 4 POLES

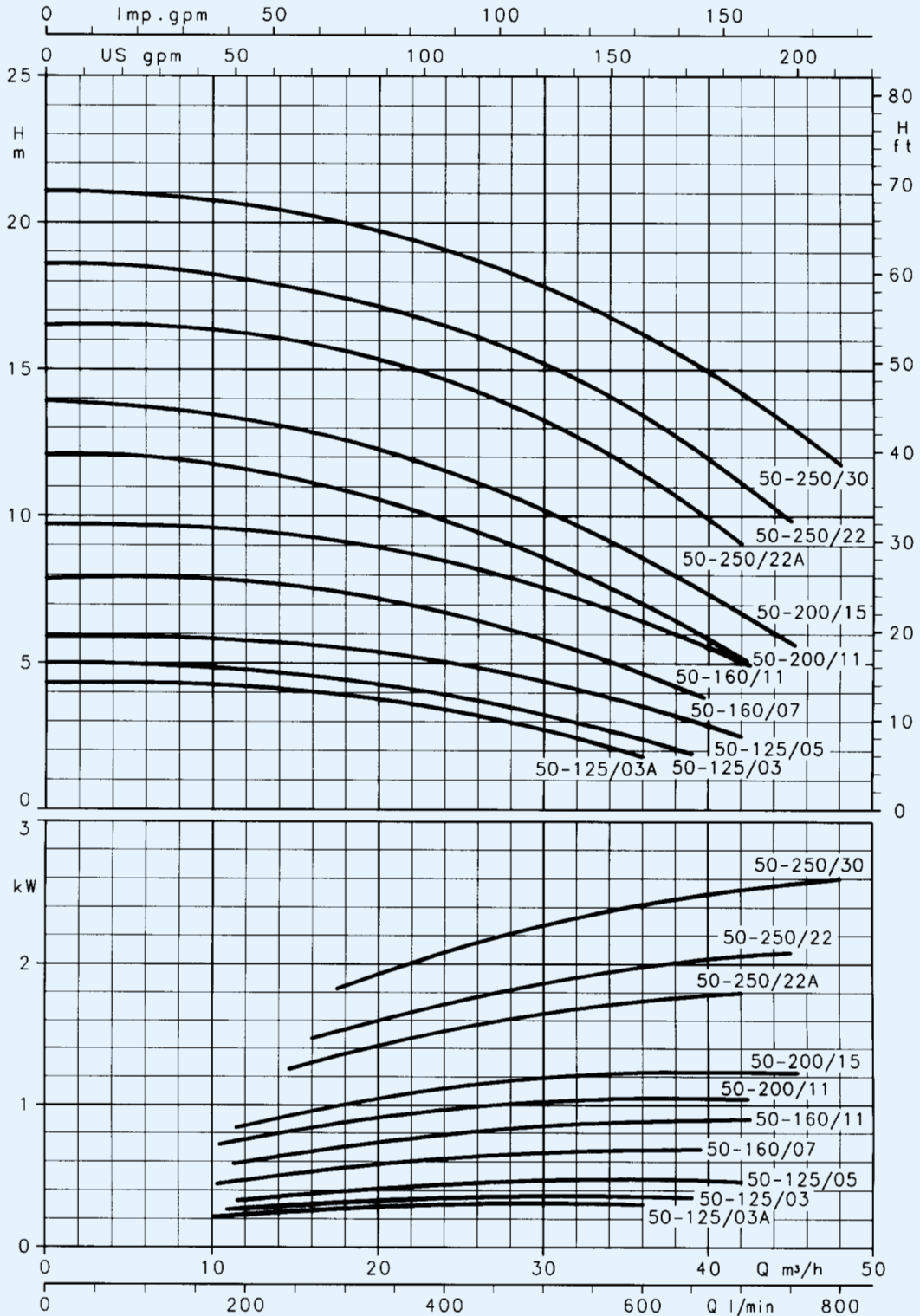


Please verify with the price list the availability of model type FHE-FHS-FHF
 These performances are valid for liquids with density $\rho = 1.0 \text{ kg/dm}^3$ and kinematic viscosity $\gamma = 1 \text{ mm}^2/\text{sec}$.





**FH4 50 SERIES
OPERATING CHARACTERISTICS at 1450 rpm 50 Hz, 4 POLES**

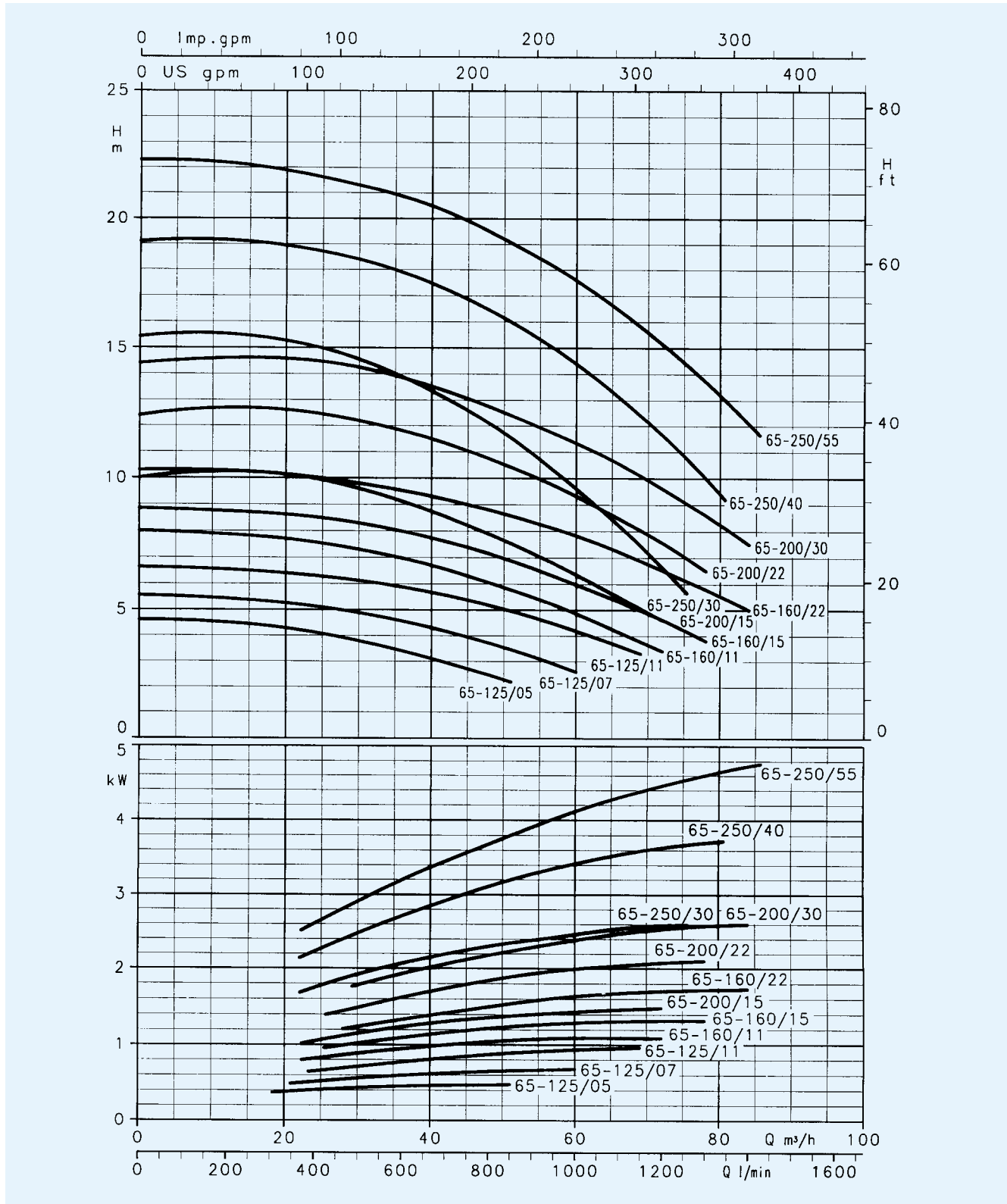


FH

Please verify with the price list the availability of model type FHE-FHS-FHF
These performances are valid for liquids with density $\rho = 1.0 \text{ kg/dm}^3$ and kinematic viscosity $\gamma = 1 \text{ mm}^2/\text{sec}$.



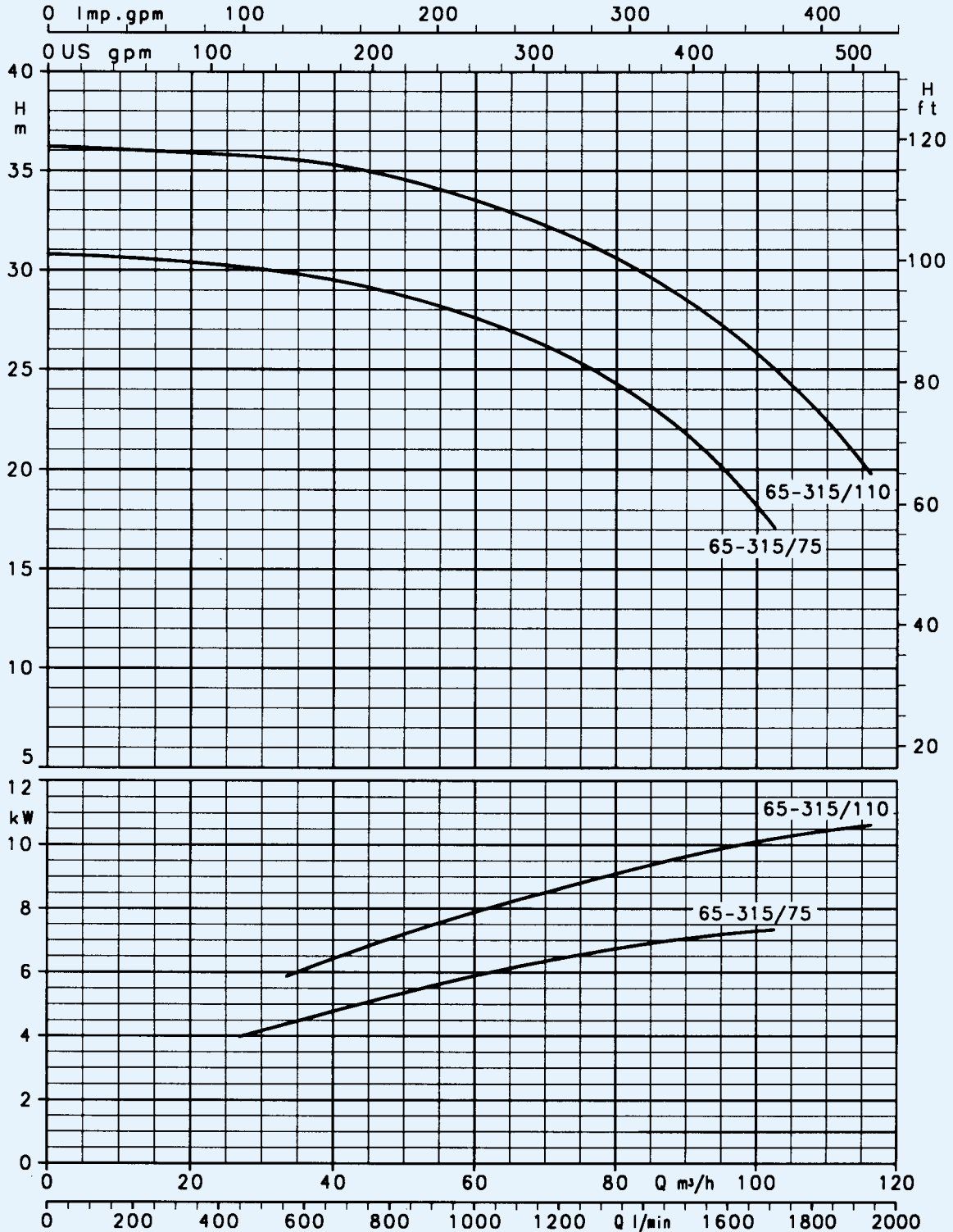
**FH4 65 SERIES
OPERATING CHARACTERISTICS at 1450 rpm 50 Hz, 4 POLES**



Please verify with the price list the availability of model type FHE-FHS-FHF
 These performances are valid for liquids with density $\rho = 1.0 \text{ kg/dm}^3$ and kinematic viscosity $\nu = 1 \text{ mm}^2/\text{sec}$.



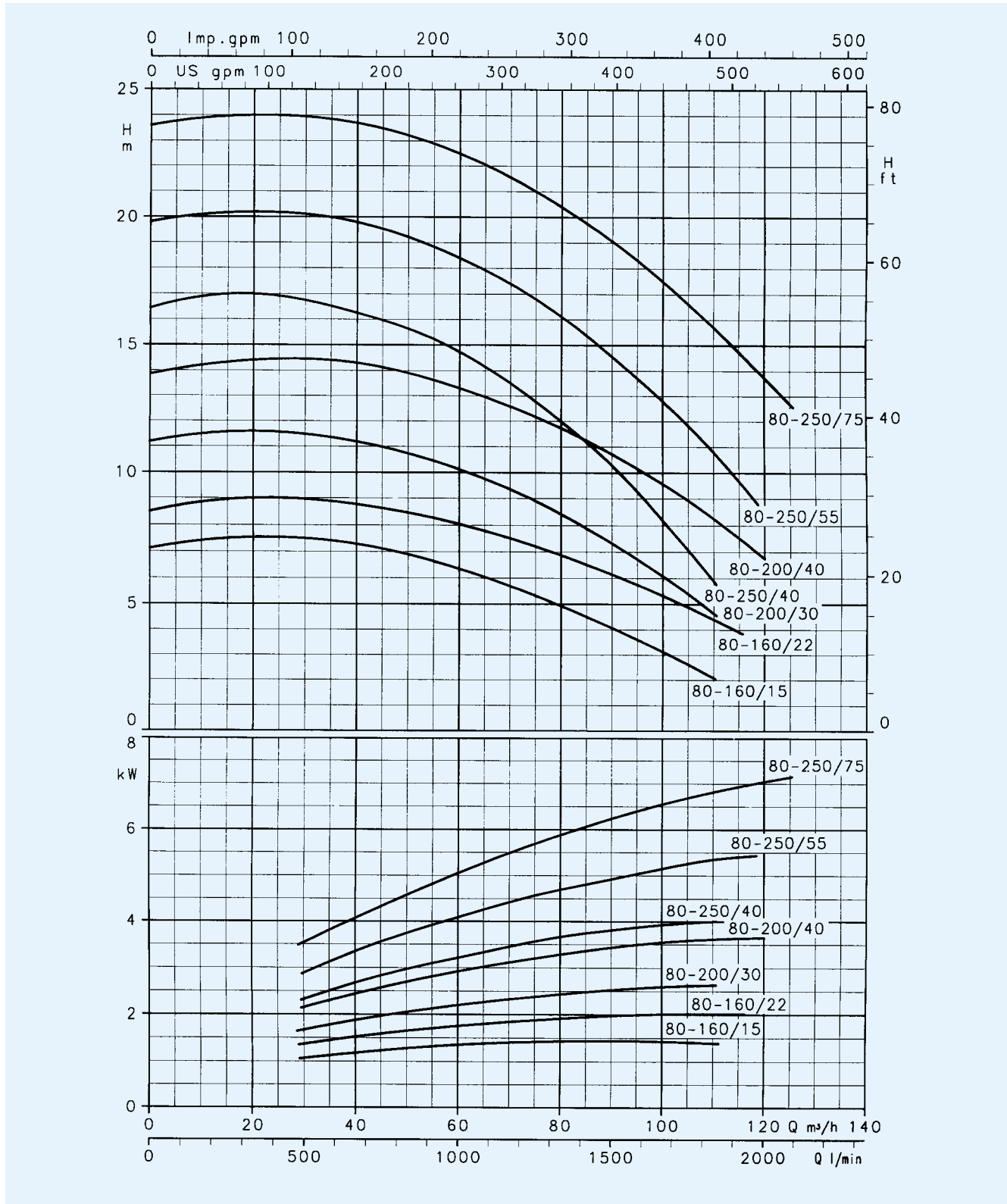
FH4 65 - 315 SERIES
OPERATING CHARACTERISTICS at 1450 rpm 50 Hz, 4 POLES



Please verify with the price list the availability of model type FHE-FHS-FHF
 These performances are valid for liquids with density $\rho = 1.0 \text{ kg/dm}^3$ and kinematic viscosity $\gamma = 1 \text{ mm}^2/\text{sec}$.



FH4 80 SERIES
OPERATING CHARACTERISTICS at 1450 rpm 50 Hz, 4 POLES

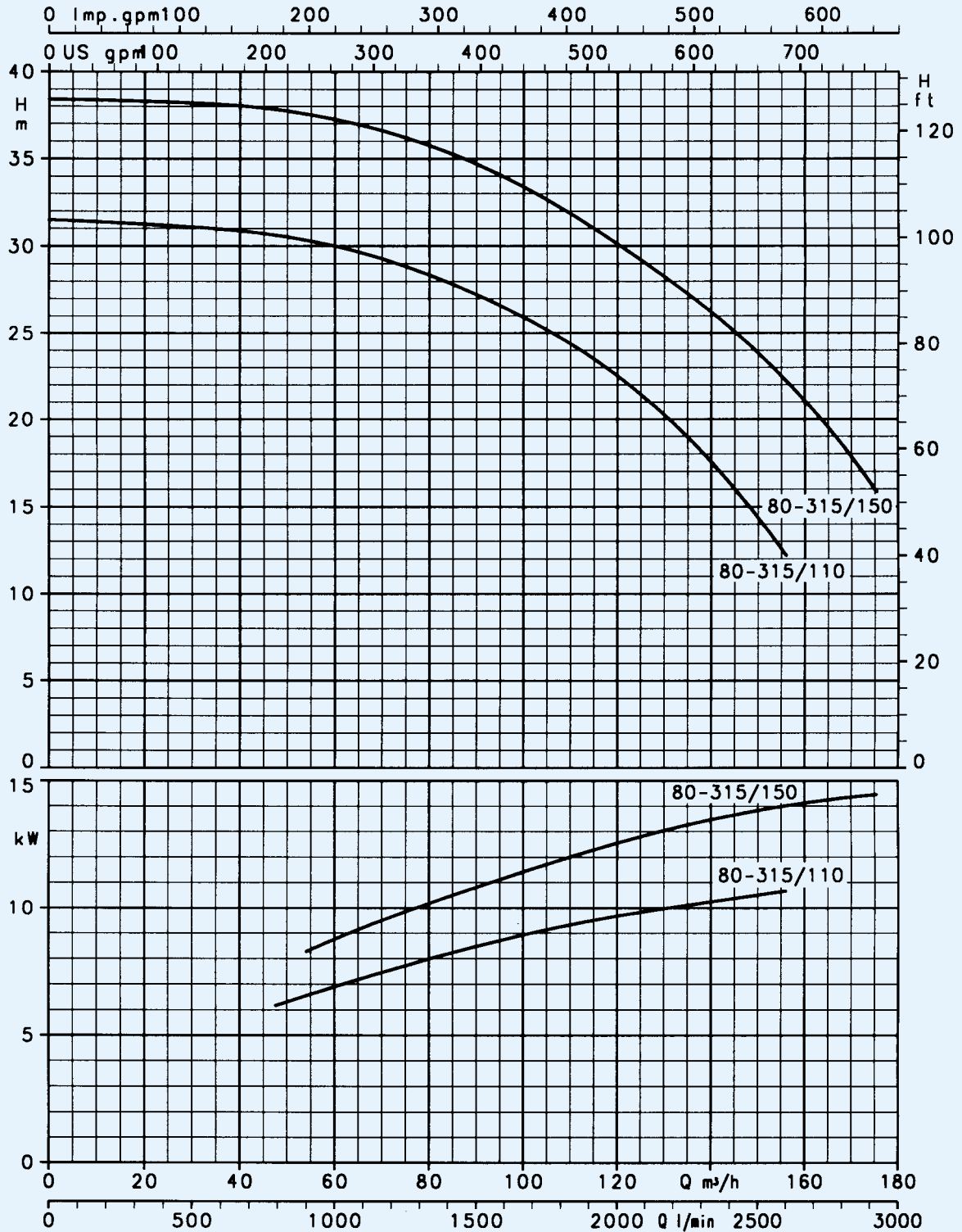


Please verify with the price list the availability of model type FHE-FHS-FHF
 These performances are valid for liquids with density $\rho = 1.0 \text{ kg/dm}^3$ and kinematic viscosity $\gamma = 1 \text{ mm}^2/\text{sec}$.





FH4 80 - 315 SERIES
OPERATING CHARACTERISTICS at 1450 rpm 50 Hz, 4 POLES

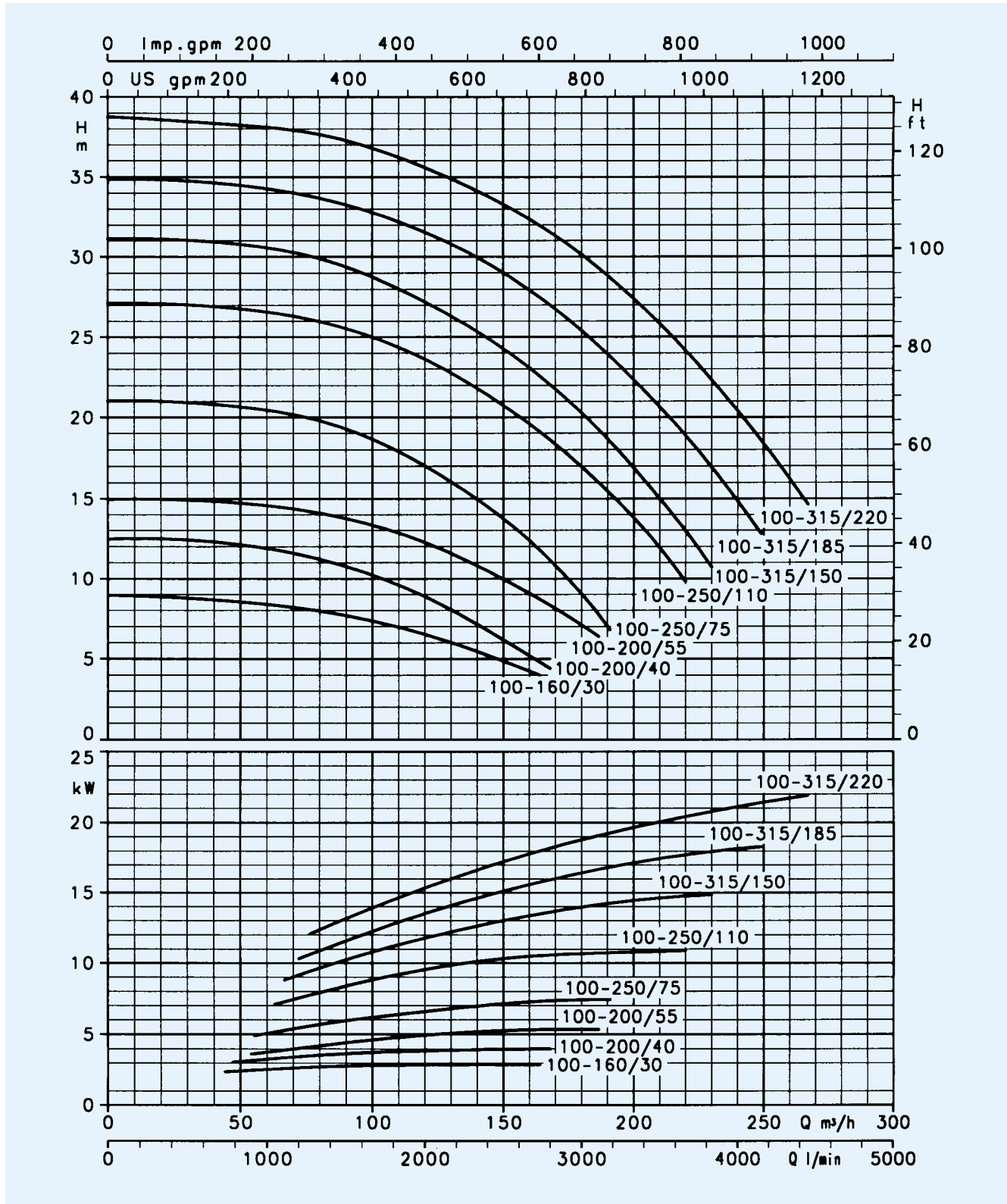


FH

Please verify with the price list the availability of model type FHE-FHS-FHF
 These performances are valid for liquids with density $\rho = 1.0 \text{ kg/dm}^3$ and kinematic viscosity $\gamma = 1 \text{ mm}^2/\text{sec}$.



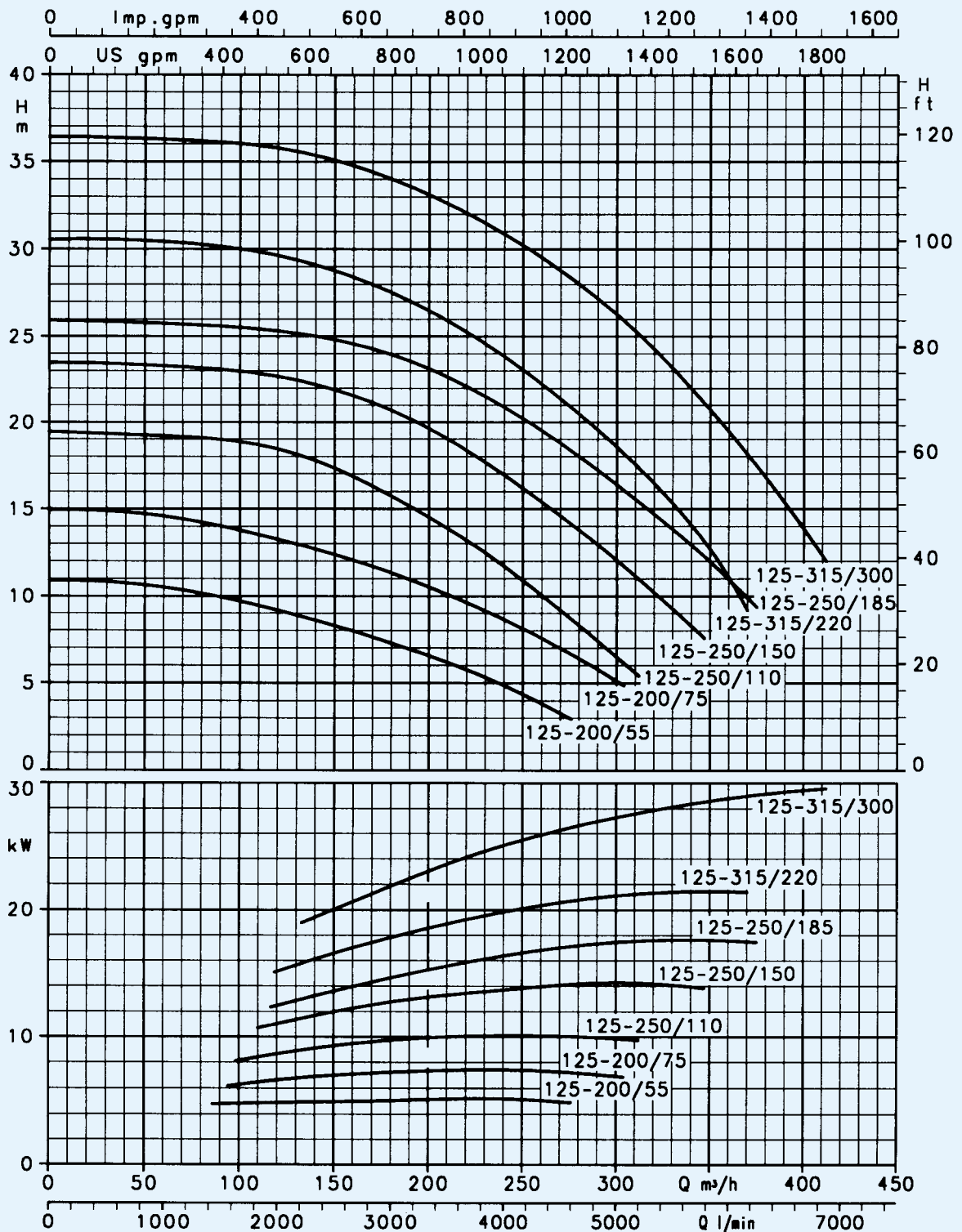
FH4 100 SERIES
OPERATING CHARACTERISTICS at 1450 rpm 50 Hz, 4 POLES



Please verify with the price list the availability of model type FHE-FHS-FHF
 These performances are valid for liquids with density $\rho = 1.0 \text{ kg/dm}^3$ and kinematic viscosity $\nu = 1 \text{ mm}^2/\text{sec}$.



**FH4 125 SERIES
OPERATING CHARACTERISTICS at 1450 rpm 50 Hz, 4 POLES**

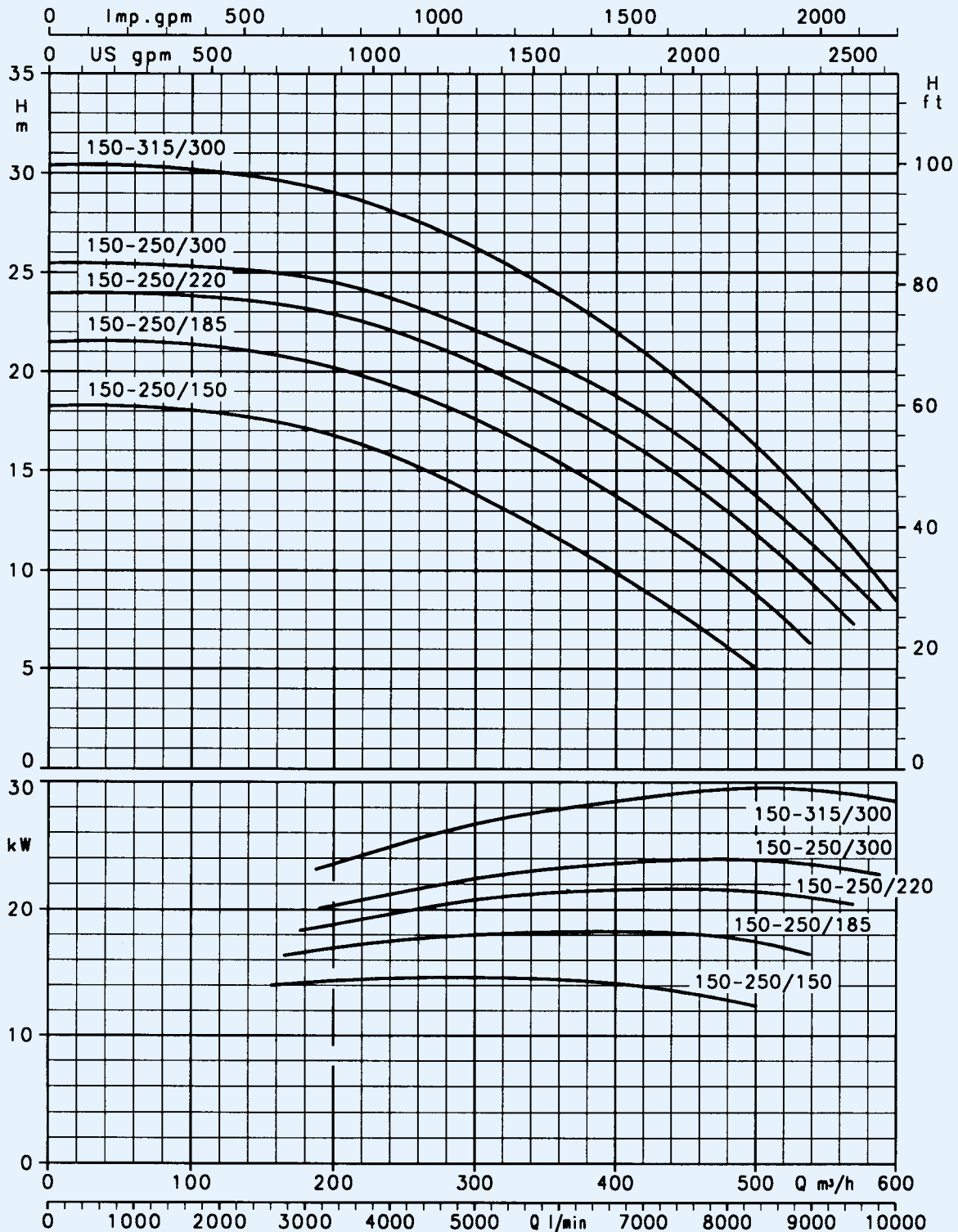


FH

Please verify with the price list the availability of model type FHE-FHS-FHF
These performances are valid for liquids with density $\rho = 1.0 \text{ kg/dm}^3$ and kinematic viscosity $\gamma = 1 \text{ mm}^2/\text{sec}$.



**FH4 150 SERIES
OPERATING CHARACTERISTICS at 1450 rpm 50 Hz, 4 POLES**



Please verify with the price list the availability of model type FHE-FHS-FHF
 These performances are valid for liquids with density $\rho = 1.0 \text{ kg/dm}^3$ and kinematic viscosity $\gamma = 1 \text{ mm}^2/\text{sec}$.





DIMENSIONS AND WEIGHTS, FHE 2 POLES SERIES

FHE WITH SUPPORT FOOT ON PUMP MOTORS UP TO 11 kW

FHE WITH SUPPORT UNDER MOTOR 15 TO 22 kW MOTORS

FLANGES

| DN | D | M | G | HOLES | | MAX. THICKNESS |
|----|-----|-----|-----|-------|----|----------------|
| | | | | N° | Ø | |
| 32 | 140 | 100 | 78 | 4 | 18 | 18 |
| 40 | 150 | 110 | 88 | 4 | 18 | 18 |
| 50 | 165 | 125 | 102 | 4 | 18 | 20 |
| 65 | 185 | 145 | 122 | 4 | 18 | 20 |

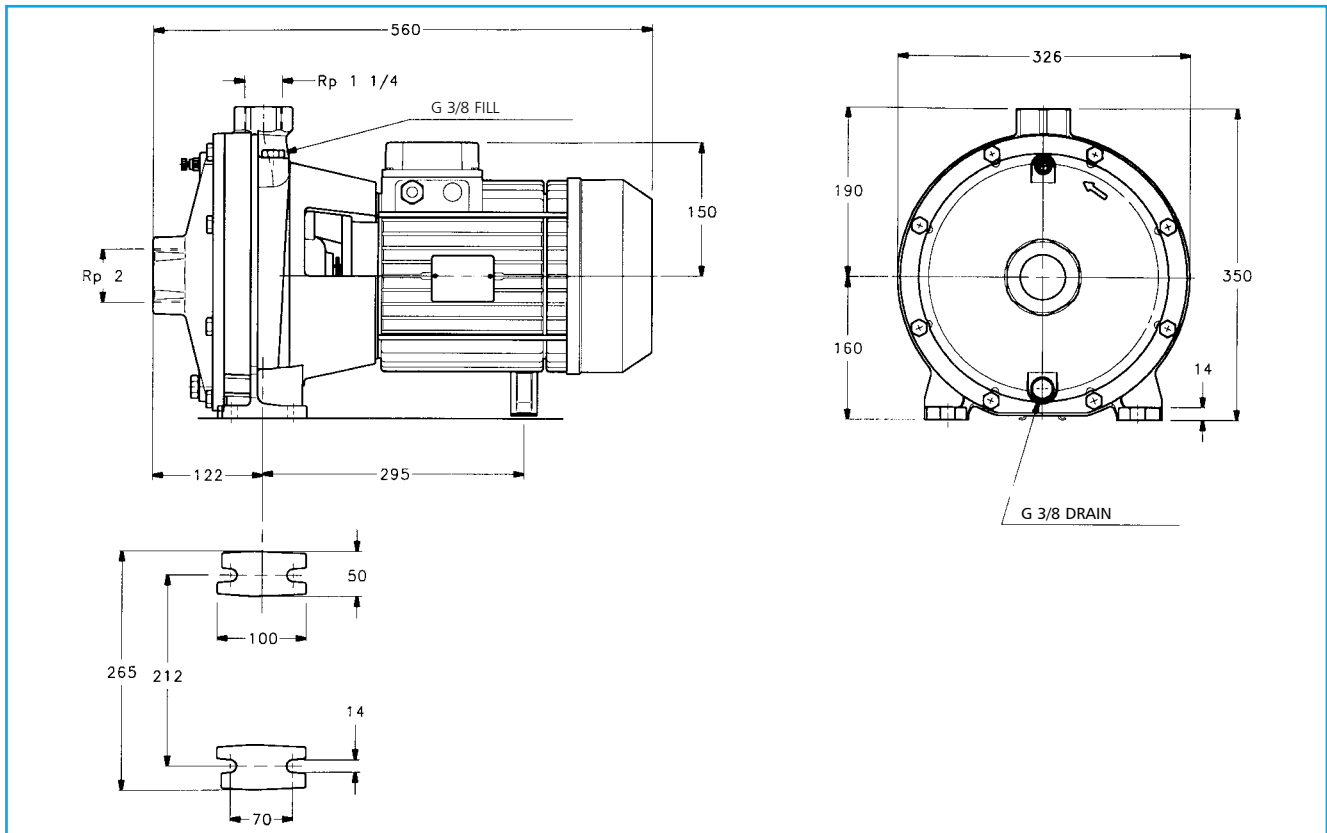
FLANGES

| DN | D | M | G | HOLES | | MAX. THICKNESS |
|-----|-----|-----|-----|-------|----|----------------|
| | | | | N° | Ø | |
| 80 | 200 | 160 | 138 | 8 | 18 | 22 |
| 100 | 220 | 180 | 158 | 8 | 18 | 22 |

FH

| PUMP TYPE | PUMP | | | | | | SUPPORT | | | | | | | | | | B | H max. | L | k | WEIGHT kg |
|----------------|------|-----|-----|-----|-----|-----|---------|----|----|-----|-----|-----|-----|-----|----|----|-----|--------|-----|-----|-----------|
| | DNM | DNA | a | h2 | w | x | b | c | c1 | h1 | m | m1 | n | n1 | s | s1 | | | | | |
| FHE 32-125/07 | 32 | 50 | 80 | 140 | 235 | 129 | 50 | 12 | - | 112 | 100 | 70 | 190 | 140 | 14 | - | 233 | 252 | 443 | 86 | 27 |
| FHE 32-125/11 | 32 | 50 | 80 | 140 | 235 | 129 | 50 | 12 | - | 112 | 100 | 70 | 190 | 140 | 14 | - | 233 | 252 | 443 | 86 | 28 |
| FHE 32-160/15 | 32 | 50 | 80 | 160 | 235 | 129 | 50 | 12 | - | 132 | 100 | 70 | 240 | 190 | 14 | - | 235 | 292 | 443 | 86 | 31 |
| FHE 32-160/22 | 32 | 50 | 80 | 160 | 235 | 129 | 50 | 12 | - | 132 | 100 | 70 | 240 | 190 | 14 | - | 235 | 292 | 443 | 86 | 34 |
| FHE 32-200/30 | 32 | 50 | 80 | 180 | 283 | 121 | 50 | 12 | - | 160 | 100 | 70 | 240 | 190 | 14 | - | 285 | 340 | 461 | 86 | 43 |
| FHE 32-200/40 | 32 | 50 | 80 | 180 | 290 | 133 | 50 | 12 | - | 160 | 100 | 70 | 240 | 190 | 14 | - | 285 | 340 | 487 | 86 | 49 |
| FHE 40-125/11 | 40 | 65 | 80 | 140 | 235 | 129 | 50 | 12 | - | 112 | 100 | 70 | 210 | 160 | 14 | - | 233 | 252 | 443 | 88 | 30 |
| FHE 40-125/15 | 40 | 65 | 80 | 140 | 235 | 129 | 50 | 12 | - | 112 | 100 | 70 | 210 | 160 | 14 | - | 233 | 252 | 443 | 88 | 31 |
| FHE 40-125/22 | 40 | 65 | 80 | 140 | 235 | 129 | 50 | 12 | - | 112 | 100 | 70 | 210 | 160 | 14 | - | 233 | 252 | 443 | 88 | 33 |
| FHE 40-160/30 | 40 | 65 | 80 | 160 | 283 | 121 | 50 | 12 | - | 132 | 100 | 70 | 240 | 190 | 14 | - | 250 | 292 | 461 | 88 | 36 |
| FHE 40-160/40 | 40 | 65 | 80 | 160 | 290 | 133 | 50 | 12 | - | 132 | 100 | 70 | 240 | 190 | 14 | - | 250 | 292 | 487 | 88 | 42 |
| FHE 40-200/55 | 40 | 65 | 100 | 180 | 311 | 150 | 50 | 12 | - | 160 | 100 | 70 | 265 | 212 | 14 | - | 285 | 340 | 553 | 88 | 59 |
| FHE 40-200/75 | 40 | 65 | 100 | 180 | 311 | 150 | 50 | 12 | - | 160 | 100 | 70 | 265 | 212 | 14 | - | 285 | 340 | 553 | 88 | 64 |
| FHE 40-250/92 | 40 | 65 | 100 | 225 | 278 | 191 | 65 | 14 | - | 180 | 125 | 95 | 320 | 250 | 14 | - | 335 | 405 | 604 | 107 | 91 |
| FHE 40-250/110 | 40 | 65 | 100 | 225 | 278 | 191 | 65 | 14 | - | 180 | 125 | 95 | 320 | 250 | 14 | - | 335 | 405 | 604 | 107 | 99 |
| FHE 40-250/150 | 40 | 65 | 100 | 225 | 208 | 232 | 50 | 22 | 20 | 180 | 260 | 210 | 318 | 254 | 13 | 23 | 335 | 412 | 688 | 107 | 123 |
| FHE 50-125/22 | 50 | 65 | 100 | 160 | 235 | 129 | 50 | 12 | - | 132 | 100 | 70 | 240 | 190 | 14 | - | 255 | 292 | 463 | 92 | 37 |
| FHE 50-125/30 | 50 | 65 | 100 | 160 | 285 | 121 | 50 | 12 | - | 132 | 100 | 70 | 240 | 190 | 14 | - | 255 | 292 | 481 | 92 | 39 |
| FHE 50-125/40 | 50 | 65 | 100 | 160 | 292 | 133 | 50 | 12 | - | 132 | 100 | 70 | 240 | 190 | 14 | - | 255 | 292 | 507 | 92 | 45 |
| FHE 50-160/55 | 50 | 65 | 100 | 180 | 313 | 150 | 50 | 12 | - | 160 | 100 | 70 | 265 | 212 | 14 | - | 285 | 340 | 553 | 92 | 68 |
| FHE 50-160/75 | 50 | 65 | 100 | 180 | 313 | 150 | 50 | 12 | - | 160 | 100 | 70 | 265 | 212 | 14 | - | 285 | 340 | 553 | 92 | 72 |
| FHE 50-200/92 | 50 | 65 | 100 | 200 | 280 | 191 | 50 | 12 | - | 160 | 100 | 70 | 265 | 212 | 14 | - | 305 | 360 | 604 | 92 | 81 |
| FHE 50-200/110 | 50 | 65 | 100 | 200 | 280 | 191 | 50 | 12 | - | 160 | 100 | 70 | 265 | 212 | 14 | - | 305 | 360 | 604 | 92 | 86 |
| FHE 50-250/150 | 50 | 65 | 100 | 225 | 208 | 232 | 50 | 22 | 20 | 180 | 260 | 210 | 318 | 254 | 13 | 23 | 340 | 412 | 688 | 107 | 123 |
| FHE 50-250/185 | 50 | 65 | 100 | 225 | 208 | 232 | 50 | 22 | 20 | 180 | 304 | 254 | 318 | 254 | 13 | 23 | 340 | 412 | 732 | 107 | 135 |
| FHE 50-250/220 | 50 | 65 | 100 | 225 | 208 | 232 | 50 | 22 | 20 | 180 | 304 | 254 | 318 | 254 | 13 | 23 | 340 | 412 | 732 | 107 | 149 |
| FHE 65-125/40 | 65 | 80 | 100 | 180 | 292 | 133 | 65 | 14 | - | 160 | 125 | 95 | 280 | 212 | 14 | - | 285 | 340 | 507 | 105 | 64 |
| FHE 65-125/55 | 65 | 80 | 100 | 180 | 313 | 150 | 65 | 14 | - | 160 | 125 | 95 | 280 | 212 | 14 | - | 285 | 340 | 553 | 105 | 72 |
| FHE 65-125/75 | 65 | 80 | 100 | 180 | 313 | 150 | 65 | 14 | - | 160 | 125 | 95 | 280 | 212 | 14 | - | 285 | 340 | 553 | 105 | 76 |
| FHE 65-160/92 | 65 | 80 | 100 | 200 | 278 | 191 | 65 | 14 | - | 160 | 125 | 95 | 280 | 212 | 14 | - | 331 | 360 | 604 | 112 | 95 |
| FHE 65-160/110 | 65 | 80 | 100 | 200 | 278 | 191 | 65 | 14 | - | 160 | 125 | 95 | 280 | 212 | 14 | - | 331 | 360 | 604 | 112 | 103 |
| FHE 65-160/150 | 65 | 80 | 100 | 200 | 208 | 232 | 50 | 22 | - | 160 | 260 | 210 | 318 | 254 | 13 | 23 | 331 | 392 | 688 | 112 | 127 |
| FHE 65-200/150 | 65 | 80 | 100 | 225 | 208 | 232 | 50 | 22 | 20 | 180 | 260 | 210 | 318 | 254 | 13 | 23 | 335 | 412 | 688 | 112 | 127 |
| FHE 65-200/185 | 65 | 80 | 100 | 225 | 208 | 232 | 50 | 22 | 20 | 180 | 304 | 254 | 318 | 254 | 13 | 23 | 335 | 412 | 732 | 112 | 139 |
| FHE 65-200/220 | 65 | 80 | 100 | 225 | 208 | 232 | 50 | 22 | 20 | 180 | 304 | 254 | 318 | 254 | 13 | 23 | 335 | 412 | 732 | 112 | 153 |
| FHE 65-250/220 | 65 | 80 | 100 | 250 | 208 | 232 | 50 | 22 | 40 | 200 | 304 | 254 | 318 | 254 | 13 | 23 | 332 | 450 | 732 | 112 | 159 |
| FHE 80-160/110 | 80 | 100 | 125 | 225 | 278 | 191 | 65 | 14 | - | 180 | 125 | 95 | 320 | 250 | 14 | - | 332 | 405 | 629 | 129 | 109 |
| FHE 80-160/150 | 80 | 100 | 125 | 225 | 208 | 232 | 50 | 22 | 20 | 180 | 260 | 210 | 318 | 254 | 13 | 23 | 332 | 412 | 713 | 129 | 133 |
| FHE 80-160/185 | 80 | 100 | 125 | 225 | 208 | 232 | 50 | 22 | 20 | 180 | 304 | 254 | 318 | 254 | 13 | 23 | 332 | 412 | 757 | 129 | 145 |
| FHE 80-200/220 | 80 | 100 | 125 | 250 | 208 | 232 | 50 | 22 | 20 | 180 | 304 | 254 | 318 | 254 | 13 | 23 | 332 | 430 | 757 | 129 | 159 |

DIMENSIONS AND WEIGHTS, 2FHE 2 POLES SERIES

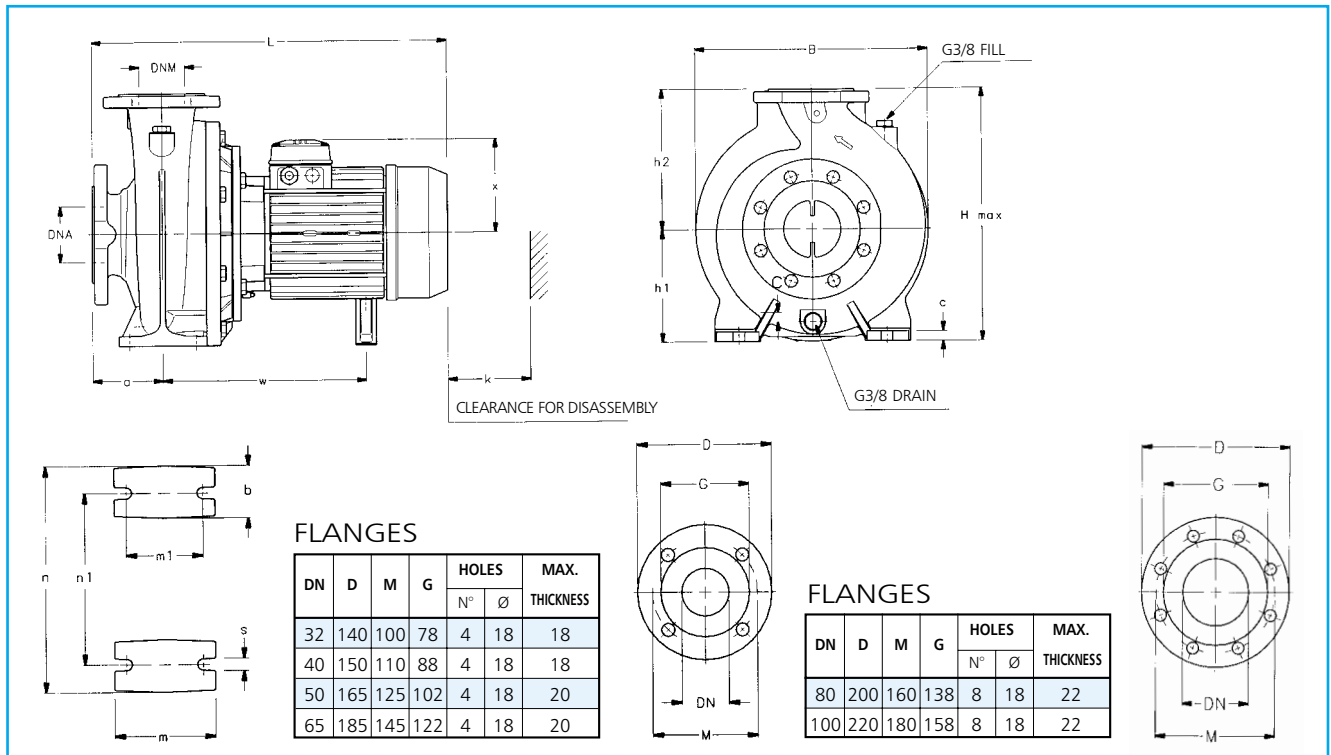


| PUMP TYPE | WEIGHT kg |
|----------------|--------------|
| 2FHE 32-250/55 | 71 |
| 2FHE 32-250/75 | 75 |





DIMENSIONS AND WEIGHTS, FHE4 4 POLES SERIES

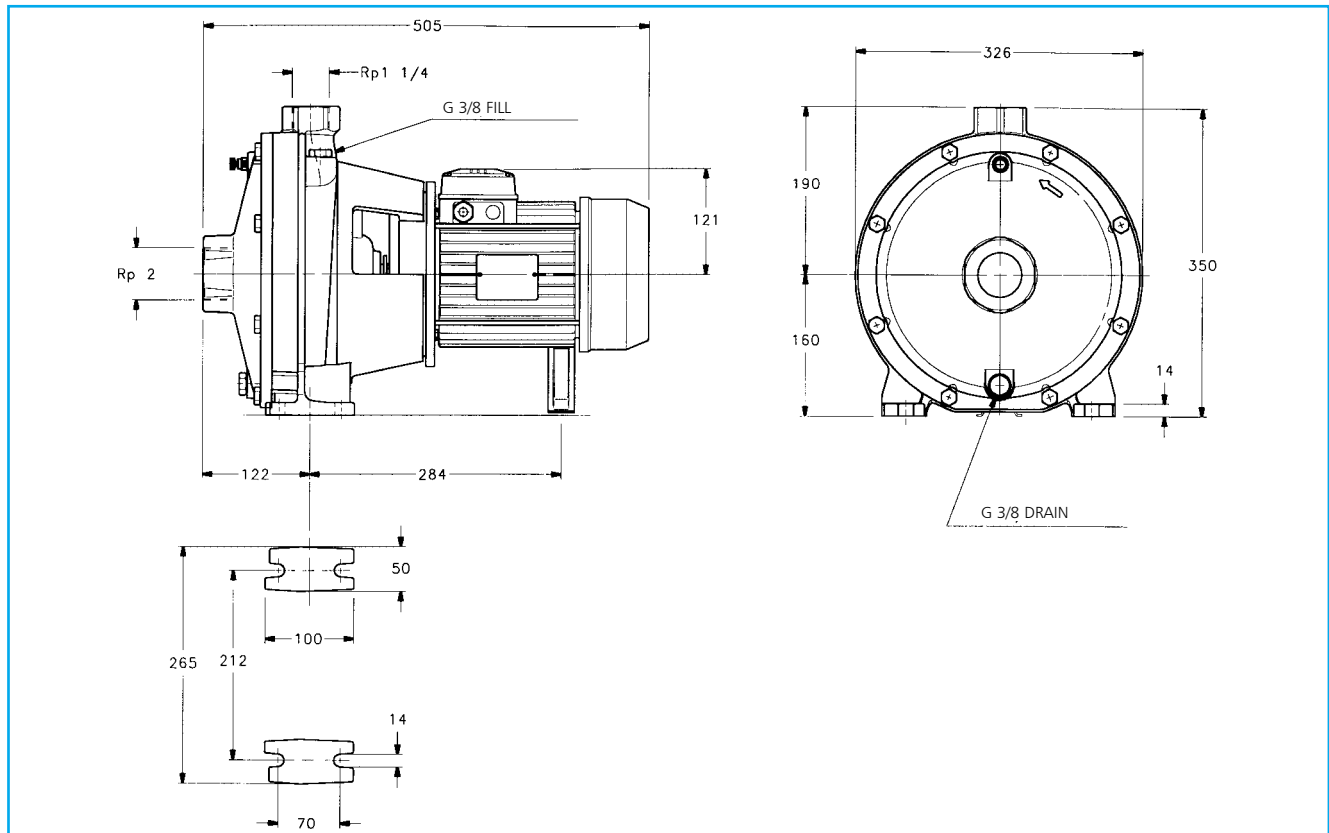


| PUMP TYPE | PUMP | | | | | | SUPPORT | | | | | | | | B | H max. | L | k | WEIGHT kg |
|-----------------|------|-----|-----|-----|-----|-----|---------|----|-----|-----|-----|-----|-----|----|-----|--------|-----|-----|-----------|
| | DNM | DNA | a | h2 | w | x | b | c | h1 | m | m1 | n | n1 | s | | | | | |
| FHE4 32-125/02A | 32 | 50 | 80 | 140 | 215 | 121 | 50 | 12 | 112 | 100 | 70 | 190 | 140 | 14 | 233 | 252 | 411 | 92 | 25 |
| FHE4 32-125/02 | 32 | 50 | 80 | 140 | 215 | 121 | 50 | 12 | 112 | 100 | 70 | 190 | 140 | 14 | 233 | 252 | 411 | 92 | 25 |
| FHE4 32-160/02 | 32 | 50 | 80 | 160 | 215 | 121 | 50 | 12 | 132 | 100 | 70 | 240 | 190 | 14 | 235 | 292 | 411 | 92 | 26 |
| FHE4 32-160/03 | 32 | 50 | 80 | 160 | 215 | 121 | 50 | 12 | 132 | 100 | 70 | 240 | 190 | 14 | 235 | 292 | 411 | 92 | 26 |
| FHE4 32-200/03 | 32 | 50 | 80 | 180 | 215 | 121 | 50 | 12 | 160 | 100 | 70 | 240 | 190 | 14 | 285 | 340 | 411 | 92 | 35 |
| FHE4 32-200/05 | 32 | 50 | 80 | 180 | 235 | 129 | 50 | 12 | 160 | 100 | 70 | 240 | 190 | 14 | 285 | 340 | 443 | 92 | 37 |
| FHE4 40-125/02A | 40 | 65 | 80 | 140 | 215 | 121 | 50 | 12 | 112 | 100 | 70 | 210 | 160 | 14 | 233 | 252 | 411 | 94 | 25 |
| FHE4 40-125/02 | 40 | 65 | 80 | 140 | 215 | 121 | 50 | 12 | 112 | 100 | 70 | 210 | 160 | 14 | 233 | 252 | 411 | 94 | 25 |
| FHE4 40-125/03 | 40 | 65 | 80 | 140 | 215 | 121 | 50 | 12 | 112 | 100 | 70 | 210 | 160 | 14 | 233 | 252 | 411 | 94 | 25 |
| FHE4 40-160/03 | 40 | 65 | 80 | 160 | 215 | 121 | 50 | 12 | 132 | 100 | 70 | 240 | 190 | 14 | 250 | 292 | 411 | 94 | 27 |
| FHE4 40-160/05 | 40 | 65 | 80 | 160 | 235 | 129 | 50 | 12 | 132 | 100 | 70 | 240 | 190 | 14 | 250 | 292 | 443 | 94 | 29 |
| FHE4 40-200/07 | 40 | 65 | 100 | 180 | 235 | 129 | 50 | 12 | 160 | 100 | 70 | 265 | 212 | 14 | 285 | 340 | 463 | 94 | 38 |
| FHE4 40-200/11 | 40 | 65 | 100 | 180 | 283 | 121 | 50 | 12 | 160 | 100 | 70 | 265 | 212 | 14 | 285 | 340 | 481 | 94 | 42 |
| FHE4 40-250/11 | 40 | 65 | 100 | 225 | 283 | 121 | 65 | 14 | 180 | 125 | 95 | 320 | 250 | 14 | 335 | 405 | 481 | 113 | 52 |
| FHE4 40-250/15 | 40 | 65 | 100 | 225 | 283 | 121 | 65 | 14 | 180 | 125 | 95 | 320 | 250 | 14 | 335 | 405 | 481 | 113 | 55 |
| FHE4 40-250/22 | 40 | 65 | 100 | 225 | 290 | 133 | 65 | 14 | 180 | 125 | 95 | 320 | 250 | 14 | 335 | 405 | 507 | 113 | 59 |
| FHE4 50-125/03A | 50 | 65 | 100 | 160 | 217 | 121 | 50 | 12 | 132 | 100 | 70 | 240 | 190 | 14 | 255 | 292 | 433 | 98 | 29 |
| FHE4 50-125/03 | 50 | 65 | 100 | 160 | 217 | 121 | 50 | 12 | 132 | 100 | 70 | 240 | 190 | 14 | 255 | 292 | 433 | 98 | 29 |
| FHE4 50-125/05 | 50 | 65 | 100 | 160 | 237 | 129 | 50 | 12 | 132 | 100 | 70 | 240 | 190 | 14 | 255 | 292 | 465 | 98 | 32 |
| FHE4 50-160/07 | 50 | 65 | 100 | 180 | 237 | 129 | 50 | 12 | 160 | 100 | 70 | 265 | 212 | 14 | 285 | 340 | 465 | 98 | 41 |
| FHE4 50-160/11 | 50 | 65 | 100 | 180 | 285 | 121 | 50 | 12 | 160 | 100 | 70 | 265 | 212 | 14 | 285 | 340 | 483 | 98 | 45 |
| FHE4 50-200/11 | 50 | 65 | 100 | 200 | 285 | 121 | 50 | 12 | 160 | 100 | 70 | 265 | 212 | 14 | 305 | 360 | 483 | 98 | 44 |
| FHE4 50-200/15 | 50 | 65 | 100 | 200 | 285 | 121 | 50 | 12 | 160 | 100 | 70 | 265 | 212 | 14 | 305 | 360 | 483 | 98 | 47 |
| FHE4 50-250/22A | 50 | 65 | 100 | 225 | 290 | 133 | 65 | 14 | 180 | 125 | 95 | 320 | 250 | 14 | 340 | 405 | 507 | 113 | 59 |
| FHE4 50-250/22 | 50 | 65 | 100 | 225 | 290 | 133 | 65 | 14 | 180 | 125 | 95 | 320 | 250 | 14 | 340 | 405 | 507 | 113 | 59 |
| FHE4 50-250/30 | 50 | 65 | 100 | 225 | 290 | 133 | 65 | 14 | 180 | 125 | 95 | 320 | 250 | 14 | 340 | 405 | 507 | 113 | 62 |
| FHE4 65-125/05 | 65 | 80 | 100 | 180 | 237 | 129 | 65 | 14 | 160 | 125 | 95 | 280 | 212 | 14 | 285 | 340 | 465 | 108 | 45 |
| FHE4 65-125/07 | 65 | 80 | 100 | 180 | 237 | 129 | 65 | 14 | 160 | 125 | 95 | 280 | 212 | 14 | 285 | 340 | 465 | 108 | 45 |
| FHE4 65-125/11 | 65 | 80 | 100 | 180 | 265 | 121 | 65 | 14 | 160 | 125 | 95 | 280 | 212 | 14 | 285 | 340 | 483 | 108 | 49 |
| FHE4 65-160/11 | 65 | 80 | 100 | 200 | 283 | 121 | 65 | 14 | 160 | 125 | 95 | 280 | 212 | 14 | 331 | 360 | 481 | 117 | 56 |
| FHE4 65-160/15 | 65 | 80 | 100 | 200 | 283 | 121 | 65 | 14 | 160 | 125 | 95 | 280 | 212 | 14 | 331 | 360 | 481 | 117 | 59 |
| FHE4 65-160/22 | 65 | 80 | 100 | 200 | 290 | 133 | 65 | 14 | 160 | 125 | 95 | 280 | 212 | 14 | 331 | 360 | 507 | 117 | 63 |
| FHE4 65-200/15 | 65 | 80 | 100 | 225 | 283 | 121 | 65 | 14 | 180 | 125 | 95 | 320 | 250 | 14 | 335 | 405 | 481 | 117 | 59 |
| FHE4 65-200/22 | 65 | 80 | 100 | 225 | 290 | 133 | 65 | 14 | 180 | 125 | 95 | 320 | 250 | 14 | 335 | 405 | 507 | 117 | 63 |
| FHE4 65-200/30 | 65 | 80 | 100 | 225 | 290 | 133 | 65 | 14 | 180 | 125 | 95 | 320 | 250 | 14 | 335 | 405 | 507 | 117 | 65 |
| FHE4 65-250/30 | 65 | 80 | 100 | 250 | 290 | 133 | 80 | 16 | 200 | 160 | 120 | 360 | 280 | 18 | 360 | 450 | 507 | 125 | 75 |
| FHE4 65-250/40 | 65 | 80 | 100 | 250 | 311 | 151 | 80 | 16 | 200 | 160 | 120 | 360 | 280 | 18 | 360 | 450 | 530 | 125 | 105 |
| FHE4 65-250/55 | 65 | 80 | 100 | 250 | 259 | 191 | 80 | 16 | 200 | 160 | 120 | 360 | 280 | 18 | 360 | 450 | 566 | 125 | 111 |
| FHE4 80-160/15 | 80 | 100 | 125 | 225 | 283 | 121 | 65 | 14 | 180 | 125 | 95 | 320 | 250 | 14 | 332 | 405 | 506 | 132 | 64 |
| FHE4 80-160/22 | 80 | 100 | 125 | 225 | 290 | 133 | 65 | 14 | 180 | 125 | 95 | 320 | 250 | 14 | 332 | 405 | 532 | 132 | 69 |
| FHE4 80-200/30 | 80 | 100 | 125 | 250 | 290 | 133 | 65 | 14 | 180 | 125 | 95 | 345 | 280 | 14 | 345 | 430 | 532 | 132 | 80 |
| FHE4 80-200/40 | 80 | 100 | 125 | 250 | 311 | 151 | 65 | 14 | 180 | 125 | 95 | 345 | 280 | 14 | 345 | 430 | 555 | 132 | 103 |
| FHE4 80-250/40 | 80 | 100 | 125 | 280 | 311 | 151 | 80 | 16 | 200 | 160 | 120 | 400 | 315 | 18 | 400 | 480 | 555 | 132 | 100 |
| FHE4 80-250/55 | 80 | 100 | 125 | 280 | 259 | 191 | 80 | 16 | 200 | 160 | 120 | 400 | 315 | 18 | 400 | 480 | 591 | 132 | 106 |
| FHE4 80-250/75 | 80 | 100 | 125 | 280 | 278 | 191 | 80 | 16 | 200 | 160 | 120 | 400 | 315 | 18 | 400 | 480 | 629 | 132 | 116 |

FH



DIMENSIONS AND WEIGHTS, 2FHE4 4 POLES SERIES

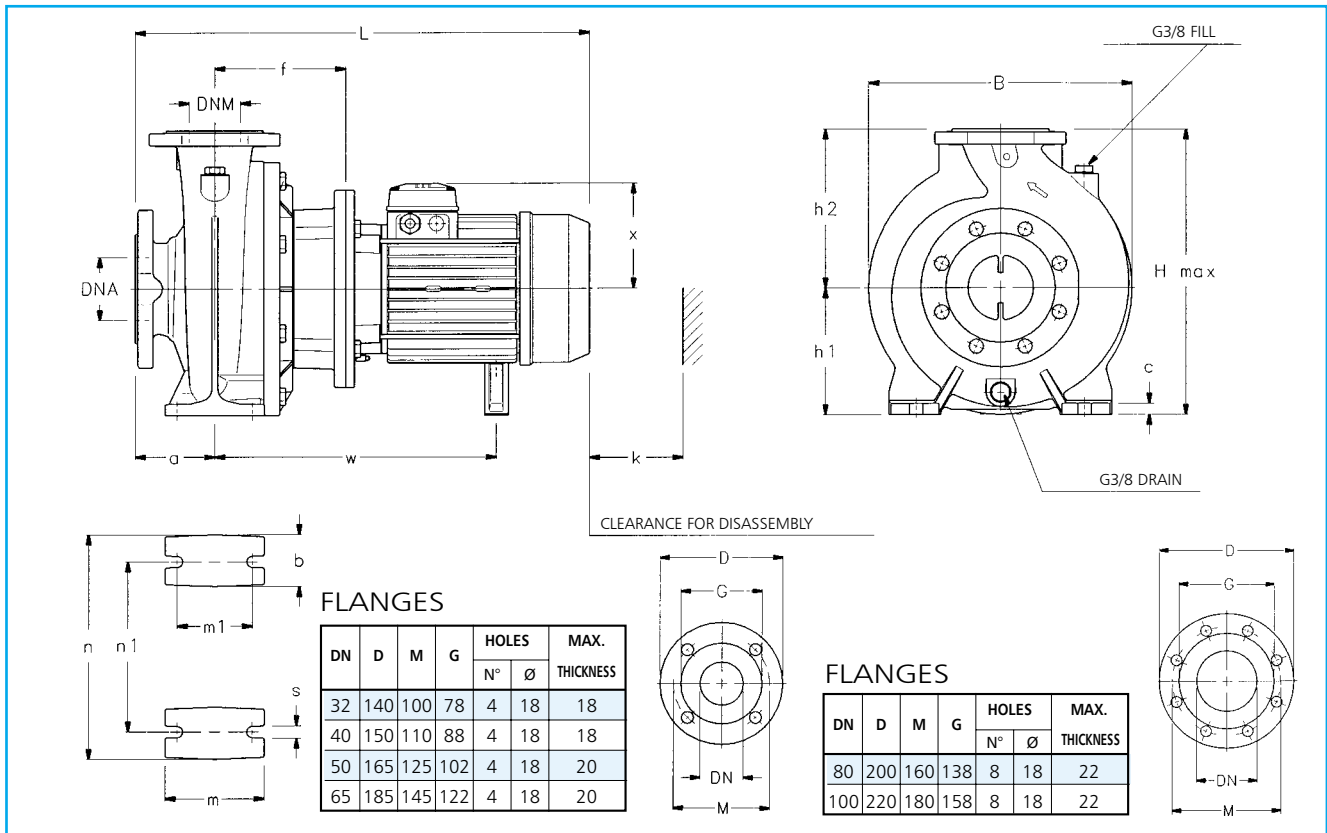


| PUMP TYPE | WEIGHT kg |
|-----------------|--------------|
| 2FHE4 32-250/07 | 47 |
| 2FHE4 32-250/11 | 49 |





DIMENSIONS AND WEIGHTS, FHS4 4 POLES SERIES

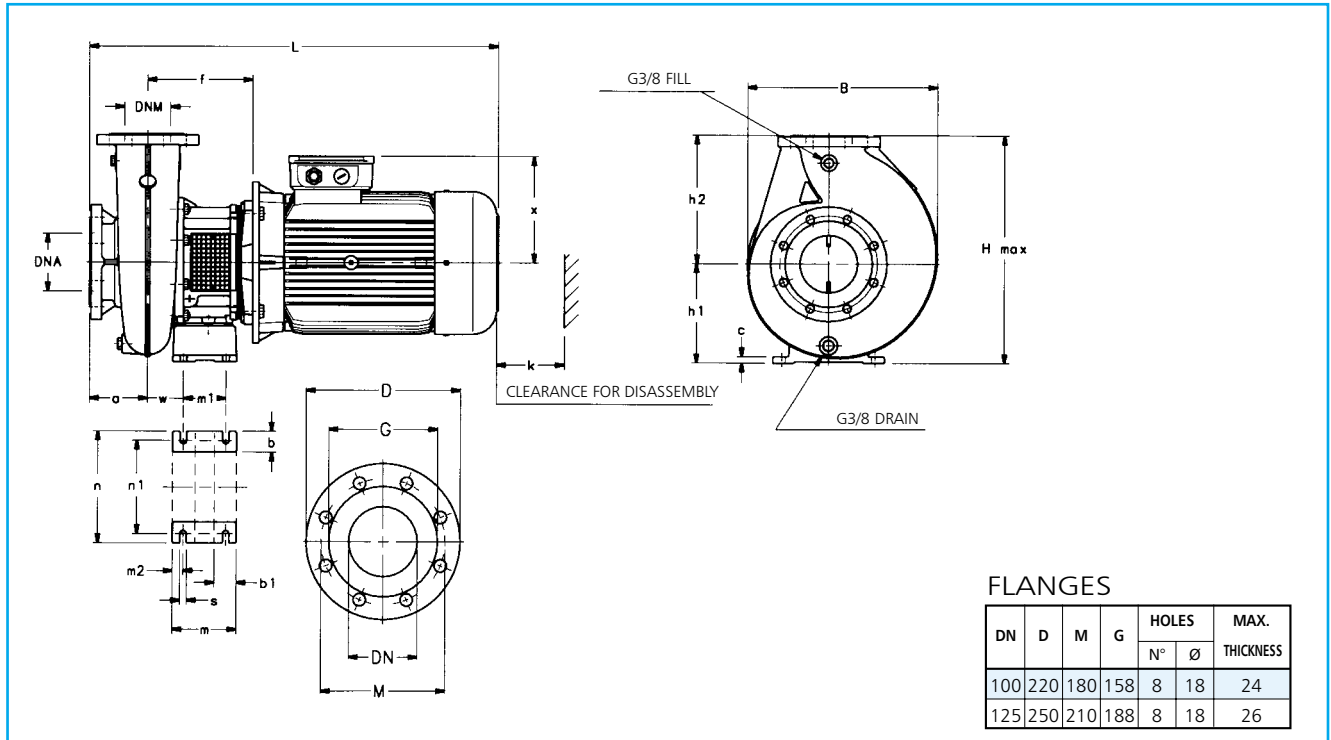


| PUMP TYPE | PUMP | | | | | | | | | | | | | | SUPPORT | | | | | B | H max. | L | k | WEIGHT kg |
|-----------------|------|-----|-----|-----|-----|-----|-----|----|----|-----|-----|-----|-----|-----|---------|-----|-----|-----|-----|-----|--------|---|---|-----------|
| | DNM | DNA | a | f | h2 | w | x | b | c | h1 | m | m1 | n | n1 | s | | | | | | | | | |
| FHS4 40-200/07 | 40 | 65 | 100 | 155 | 180 | 290 | 129 | 50 | 12 | 160 | 100 | 70 | 265 | 212 | 14 | 285 | 340 | 518 | 94 | 43 | | | | |
| FHS4 40-200/11 | 40 | 65 | 100 | 155 | 180 | 338 | 121 | 50 | 12 | 160 | 100 | 70 | 265 | 212 | 14 | 285 | 340 | 536 | 94 | 47 | | | | |
| FHS4 40-250/11 | 40 | 65 | 100 | 155 | 225 | 338 | 121 | 65 | 14 | 180 | 125 | 95 | 320 | 250 | 14 | 335 | 405 | 536 | 113 | 57 | | | | |
| FHS4 40-250/15 | 40 | 65 | 100 | 155 | 225 | 338 | 121 | 65 | 14 | 180 | 125 | 95 | 320 | 250 | 14 | 335 | 405 | 536 | 113 | 60 | | | | |
| FHS4 40-250/22 | 40 | 65 | 100 | 165 | 225 | 355 | 133 | 65 | 14 | 180 | 125 | 95 | 320 | 250 | 14 | 335 | 405 | 572 | 113 | 65 | | | | |
| FHS4 50-160/07 | 50 | 65 | 100 | 157 | 180 | 292 | 129 | 50 | 12 | 160 | 100 | 70 | 265 | 212 | 14 | 285 | 340 | 520 | 98 | 46 | | | | |
| FHS4 50-160/11 | 50 | 65 | 100 | 157 | 180 | 340 | 121 | 50 | 12 | 160 | 100 | 70 | 265 | 212 | 14 | 285 | 340 | 536 | 98 | 50 | | | | |
| FHS4 50-200/11 | 50 | 65 | 100 | 157 | 200 | 340 | 121 | 50 | 12 | 160 | 100 | 70 | 265 | 212 | 14 | 305 | 360 | 536 | 98 | 49 | | | | |
| FHS4 50-200/15 | 50 | 65 | 100 | 157 | 200 | 340 | 121 | 50 | 12 | 160 | 100 | 70 | 265 | 212 | 14 | 305 | 360 | 536 | 98 | 52 | | | | |
| FHS4 50-250/22A | 50 | 65 | 100 | 165 | 225 | 355 | 133 | 65 | 14 | 180 | 125 | 95 | 320 | 250 | 14 | 340 | 405 | 572 | 113 | 65 | | | | |
| FHS4 50-250/22 | 50 | 65 | 100 | 165 | 225 | 355 | 133 | 65 | 14 | 180 | 125 | 95 | 320 | 250 | 14 | 340 | 405 | 572 | 113 | 65 | | | | |
| FHS4 50-250/30 | 50 | 65 | 100 | 165 | 225 | 355 | 133 | 65 | 14 | 180 | 125 | 95 | 320 | 250 | 14 | 340 | 405 | 572 | 113 | 68 | | | | |
| FHS4 65-125/05 | 65 | 80 | 100 | 157 | 180 | 292 | 129 | 65 | 14 | 160 | 125 | 95 | 280 | 212 | 14 | 285 | 340 | 520 | 108 | 50 | | | | |
| FHS4 65-125/07 | 65 | 80 | 100 | 157 | 180 | 292 | 129 | 65 | 14 | 160 | 125 | 95 | 280 | 212 | 14 | 285 | 340 | 520 | 108 | 52 | | | | |
| FHS4 65-125/11 | 65 | 80 | 100 | 157 | 180 | 340 | 121 | 65 | 14 | 160 | 125 | 95 | 280 | 212 | 14 | 285 | 340 | 536 | 108 | 54 | | | | |
| FHS4 65-160/11 | 65 | 80 | 100 | 155 | 200 | 338 | 121 | 65 | 14 | 160 | 125 | 95 | 280 | 212 | 14 | 331 | 360 | 536 | 117 | 61 | | | | |
| FHS4 65-160/15 | 65 | 80 | 100 | 155 | 200 | 338 | 121 | 65 | 14 | 160 | 125 | 95 | 280 | 212 | 14 | 331 | 360 | 536 | 117 | 64 | | | | |
| FHS4 65-160/22 | 65 | 80 | 100 | 165 | 200 | 345 | 153 | 65 | 14 | 160 | 125 | 95 | 280 | 212 | 14 | 331 | 360 | 572 | 117 | 69 | | | | |
| FHS4 65-200/15 | 65 | 80 | 100 | 155 | 225 | 338 | 121 | 65 | 14 | 180 | 125 | 95 | 320 | 250 | 14 | 335 | 405 | 536 | 117 | 64 | | | | |
| FHS4 65-200/22 | 65 | 80 | 100 | 165 | 225 | 355 | 133 | 65 | 14 | 180 | 125 | 95 | 320 | 250 | 14 | 335 | 405 | 572 | 117 | 69 | | | | |
| FHS4 65-200/30 | 65 | 80 | 100 | 165 | 225 | 355 | 133 | 65 | 14 | 180 | 125 | 95 | 320 | 250 | 14 | 335 | 405 | 572 | 117 | 72 | | | | |
| FHS4 65-250/30 | 65 | 80 | 100 | 165 | 250 | 355 | 133 | 80 | 16 | 200 | 160 | 120 | 360 | 280 | 18 | 360 | 450 | 572 | 125 | 78 | | | | |
| FHS4 65-250/40 | 65 | 80 | 100 | 165 | 250 | 376 | 151 | 80 | 16 | 200 | 160 | 120 | 360 | 280 | 18 | 360 | 450 | 595 | 125 | 101 | | | | |
| FHS4 65-250/55 | 65 | 80 | 100 | 192 | 250 | 351 | 191 | 80 | 16 | 200 | 160 | 120 | 360 | 280 | 18 | 360 | 450 | 658 | 125 | 104 | | | | |
| FHS4 80-160/15 | 80 | 100 | 125 | 155 | 225 | 338 | 121 | 65 | 14 | 180 | 125 | 95 | 320 | 250 | 14 | 332 | 405 | 561 | 132 | 71 | | | | |
| FHS4 80-160/22 | 80 | 100 | 125 | 165 | 225 | 355 | 133 | 65 | 14 | 180 | 125 | 95 | 320 | 250 | 14 | 332 | 405 | 597 | 132 | 75 | | | | |
| FHS4 80-200/30 | 80 | 100 | 125 | 165 | 250 | 355 | 133 | 65 | 14 | 180 | 125 | 95 | 345 | 280 | 14 | 345 | 430 | 597 | 132 | 81 | | | | |
| FHS4 80-200/40 | 80 | 100 | 125 | 165 | 250 | 376 | 151 | 65 | 14 | 180 | 125 | 95 | 345 | 280 | 14 | 345 | 430 | 620 | 132 | 104 | | | | |
| FHS4 80-250/40 | 80 | 100 | 125 | 165 | 280 | 376 | 151 | 80 | 16 | 200 | 160 | 120 | 400 | 315 | 18 | 400 | 480 | 620 | 132 | 110 | | | | |
| FHS4 80-250/55 | 80 | 100 | 125 | 192 | 280 | 351 | 191 | 80 | 16 | 200 | 160 | 120 | 400 | 315 | 18 | 400 | 480 | 683 | 132 | 113 | | | | |
| FHS4 80-250/75 | 80 | 100 | 125 | 192 | 280 | 370 | 191 | 80 | 16 | 200 | 160 | 120 | 400 | 315 | 18 | 400 | 480 | 721 | 132 | 116 | | | | |





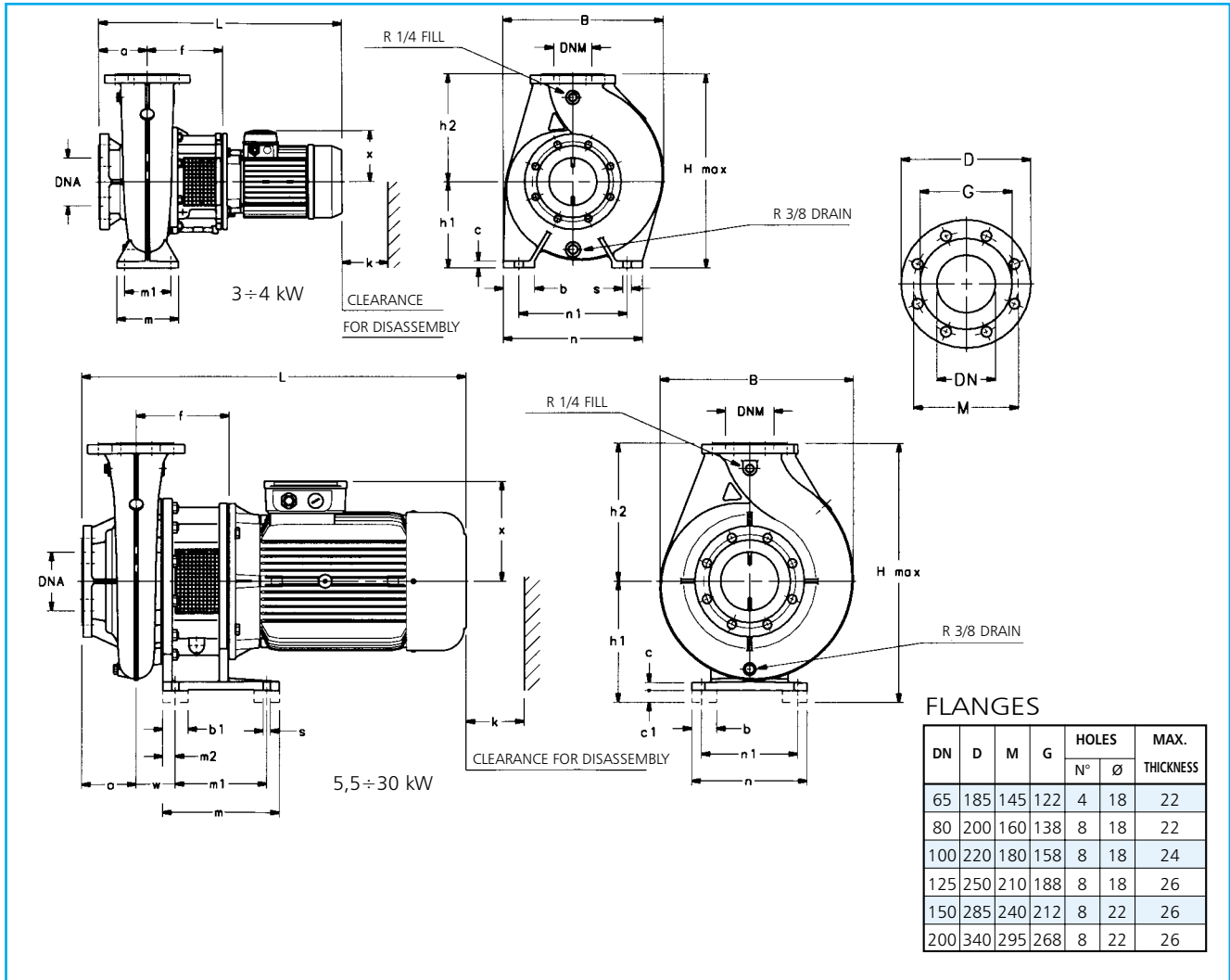
DIMENSIONS AND WEIGHTS, FHS 2 POLES SERIES



| PUMP TYPE | PUMP | | | | | | | SUPPORT | | | | | | | | | | B | H max. | L | k | WEIGHT kg |
|-----------------|------|-----|-----|-----|-----|----|-----|---------|----|----|-----|-----|-----|------|-----|-----|----|-----|--------|-----|-----|-----------|
| | DNM | DNA | a | f | h2 | w | x | b | b1 | c | h1 | m | m1 | m2 | n | n1 | s | | | | | |
| FHS 100-160/220 | 100 | 125 | 125 | 226 | 280 | 78 | 232 | 45 | 48 | 14 | 215 | 137 | 91 | 23 | 240 | 200 | 14 | 411 | 495 | 883 | 143 | 236 |
| FHS 100-160/300 | 100 | 125 | 125 | 231 | 280 | 92 | 257 | - | 65 | 20 | 250 | 300 | 235 | 32,5 | 300 | 250 | 18 | 435 | 530 | 969 | 143 | 348 |
| FHS 100-200/300 | 100 | 125 | 125 | 231 | 280 | 92 | 257 | - | 65 | 20 | 250 | 300 | 235 | 32,5 | 300 | 250 | 18 | 405 | 530 | 969 | 153 | 340 |
| FHS 100-200/370 | 100 | 125 | 125 | 231 | 280 | 92 | 257 | - | 65 | 20 | 250 | 300 | 235 | 32,5 | 300 | 250 | 18 | 405 | 530 | 969 | 153 | 360 |



DIMENSIONS AND WEIGHTS, FHS4 4 POLES SERIES

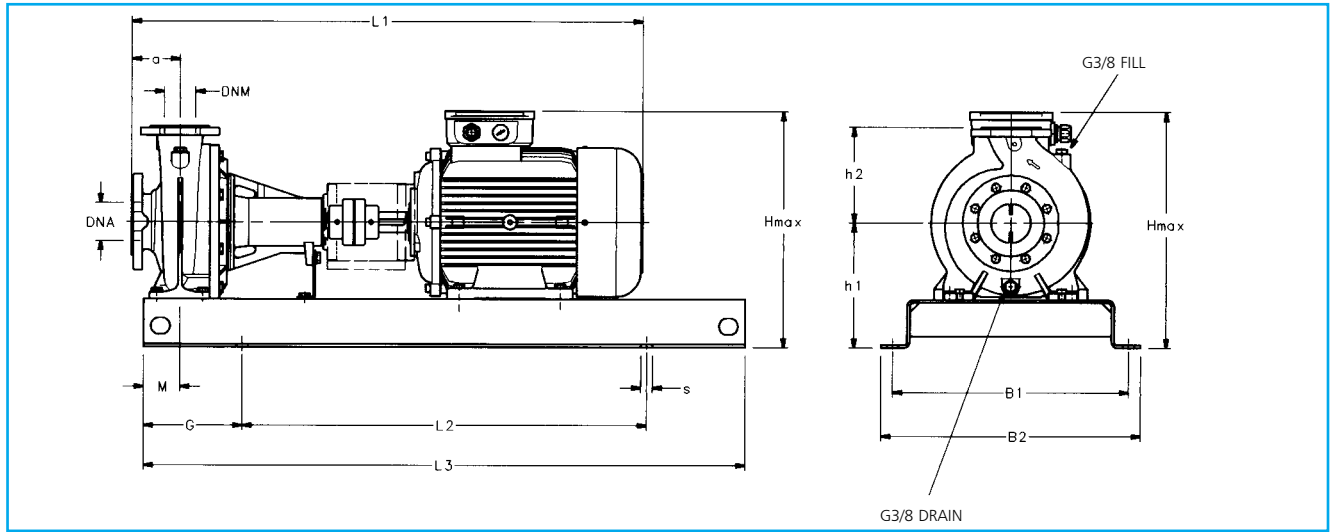


| PUMP TYPE | PUMP | | | | | | | SUPPORT | | | | | | | | | | B | H max. | L | k | WEIGHT kg | |
|------------------|------|-----|-----|-----|-----|-----|-----|---------|----|----|----|-----|-----|-----|------|-----|-----|----|--------|-----|------|-----------|-----|
| | DNM | DNA | a | f | h2 | w | x | b | b1 | c | c1 | h1 | m | m1 | m2 | n | n1 | | | | | | s |
| FHS4 65-315/75 | 65 | 80 | 125 | 196 | 280 | 83 | 194 | 45 | 48 | 14 | - | 250 | 137 | 89 | 24 | 240 | 200 | 14 | 434 | 530 | 725 | 160 | 168 |
| FHS4 65-315/110 | 65 | 80 | 125 | 226 | 280 | 83 | 243 | 45 | 48 | 14 | - | 250 | 137 | 89 | 24 | 240 | 200 | 14 | 434 | 530 | 889 | 160 | 212 |
| FHS4 80-315/110 | 80 | 100 | 125 | 226 | 315 | 83 | 243 | 45 | 48 | 14 | - | 250 | 137 | 89 | 24 | 240 | 200 | 14 | 450 | 565 | 889 | 160 | 218 |
| FHS4 80-315/150 | 80 | 100 | 125 | 226 | 315 | 83 | 243 | 45 | 48 | 14 | - | 250 | 137 | 89 | 24 | 240 | 200 | 14 | 450 | 565 | 889 | 160 | 238 |
| FHS4 100-160/30 | 100 | 125 | 125 | 196 | 280 | - | 133 | 80 | - | 16 | - | 225 | 160 | 120 | - | 360 | 280 | 19 | 415 | 505 | 628 | 143 | 110 |
| FHS4 100-200/40 | 100 | 125 | 125 | 196 | 280 | - | 151 | 80 | - | 18 | - | 200 | 160 | 120 | - | 360 | 280 | 19 | 385 | 480 | 651 | 153 | 106 |
| FHS4 100-200/55 | 100 | 125 | 125 | 196 | 280 | 77 | 194 | 45 | 48 | 14 | - | 215 | 137 | 91 | 23 | 240 | 200 | 14 | 373 | 495 | 687 | 153 | 131 |
| FHS4 100-250/75 | 100 | 125 | 140 | 196 | 280 | 78 | 194 | 45 | 42 | 14 | - | 220 | 165 | 131 | 15 | 240 | 200 | 14 | 416 | 500 | 740 | 150 | 171 |
| FHS4 100-250/110 | 100 | 125 | 140 | 226 | 280 | 78 | 243 | 45 | 42 | 14 | - | 220 | 165 | 131 | 15 | 240 | 200 | 14 | 416 | 500 | 904 | 150 | 215 |
| FHS4 100-315/150 | 100 | 125 | 140 | 226 | 315 | 78 | 243 | 45 | 48 | 14 | - | 250 | 137 | 89 | 24 | 240 | 200 | 14 | 486 | 565 | 904 | 160 | 247 |
| FHS4 100-315/185 | 100 | 125 | 140 | 226 | 315 | 83 | 243 | 45 | 48 | 14 | - | 250 | 137 | 89 | 24 | 240 | 200 | 14 | 486 | 565 | 904 | 160 | 282 |
| FHS4 100-315/220 | 100 | 125 | 140 | 226 | 315 | 83 | 263 | 45 | 48 | 14 | - | 250 | 137 | 89 | 24 | 240 | 200 | 14 | 486 | 565 | 979 | 160 | 292 |
| FHS4 125-200/55 | 125 | 150 | 140 | 211 | 315 | 91 | 194 | 45 | 48 | 14 | - | 235 | 137 | 91 | 23 | 240 | 200 | 14 | 469 | 550 | 717 | 160 | 162 |
| FHS4 125-200/75 | 125 | 150 | 140 | 211 | 315 | 91 | 194 | 45 | 48 | 14 | - | 235 | 137 | 91 | 23 | 240 | 200 | 14 | 469 | 550 | 755 | 160 | 175 |
| FHS4 125-250/110 | 125 | 150 | 140 | 226 | 355 | 78 | 243 | 45 | 48 | 14 | - | 250 | 137 | 91 | 23 | 240 | 200 | 14 | 493 | 605 | 904 | 158 | 217 |
| FHS4 125-250/150 | 125 | 150 | 140 | 226 | 355 | 78 | 243 | 45 | 48 | 14 | - | 250 | 137 | 91 | 23 | 240 | 200 | 14 | 493 | 605 | 904 | 158 | 237 |
| FHS4 125-250/185 | 125 | 150 | 140 | 226 | 355 | 78 | 243 | 45 | 48 | 14 | - | 250 | 137 | 91 | 23 | 240 | 200 | 14 | 493 | 605 | 904 | 158 | 273 |
| FHS4 125-315/220 | 125 | 150 | 140 | 241 | 355 | 101 | 263 | - | 65 | 20 | - | 280 | 300 | 235 | 32,5 | 300 | 250 | 18 | 501 | 635 | 994 | 171 | 344 |
| FHS4 125-315/300 | 125 | 150 | 140 | 241 | 355 | 101 | 263 | - | 65 | 20 | - | 280 | 300 | 235 | 32,5 | 300 | 250 | 18 | 501 | 635 | 994 | 171 | 429 |
| FHS4 150-250/150 | 150 | 200 | 160 | 241 | 375 | 101 | 243 | - | 70 | 20 | 30 | 280 | 305 | 235 | 35 | 305 | 250 | 18 | 543 | 655 | 939 | 181 | 300 |
| FHS4 150-250/185 | 150 | 200 | 160 | 241 | 375 | 101 | 243 | - | 70 | 20 | 30 | 280 | 305 | 235 | 35 | 305 | 250 | 18 | 543 | 655 | 939 | 181 | 335 |
| FHS4 150-250/220 | 150 | 200 | 160 | 241 | 375 | 101 | 263 | - | 70 | 20 | 30 | 280 | 305 | 235 | 35 | 305 | 250 | 18 | 543 | 655 | 1014 | 181 | 345 |
| FHS4 150-250/300 | 150 | 200 | 160 | 241 | 375 | 101 | 263 | - | 70 | 20 | 30 | 280 | 305 | 235 | 35 | 305 | 250 | 18 | 543 | 655 | 1014 | 181 | 430 |
| FHS4 150-315/300 | 150 | 200 | 160 | 241 | 400 | 101 | 263 | - | 65 | 20 | - | 280 | 300 | 235 | 32,5 | 300 | 250 | 18 | 567 | 680 | 1014 | 186 | 448 |





DIMENSIONS AND WEIGHTS, FHF 2 POLES SERIES

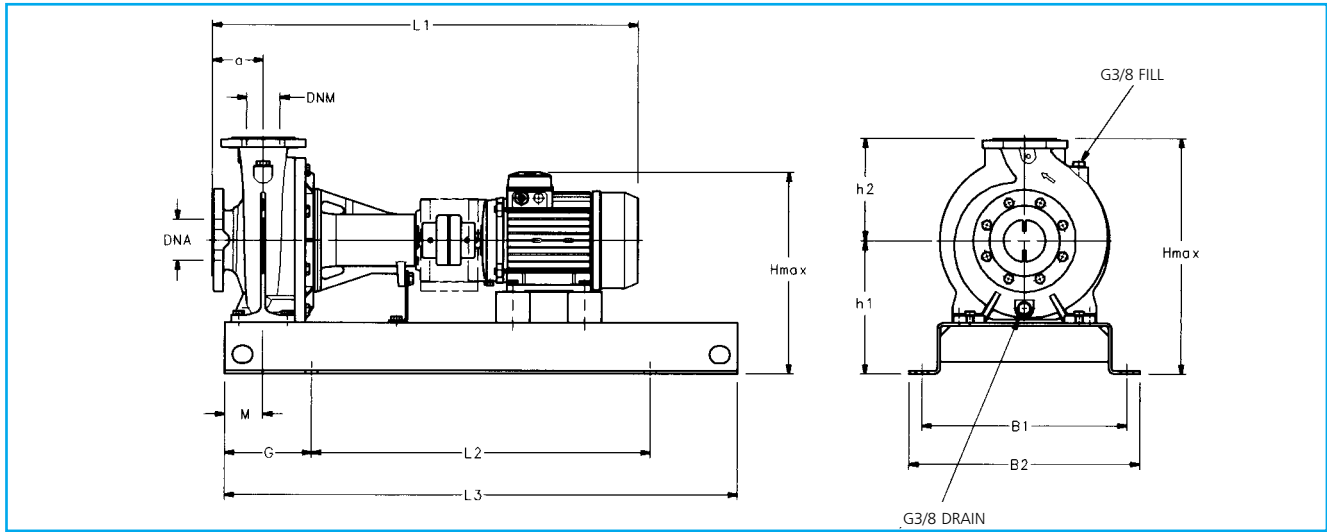


| PUMP TYPE | DIMENSIONS(mm) | | | | | | | | | | | | | s FOR SCREWS | WEIGHT kg |
|-----------------|----------------|-----|-----|-----|-----|------|------|------|-----|----|-----|-----|--------|-----------------|--------------|
| | DNM | DNA | a | B1 | B2 | L1 | L2 | L3 | G | M | h1 | h2 | H max. | | |
| FHF 32-125/07 | 32 | 50 | 80 | 320 | 360 | 744 | 540 | 800 | 130 | 60 | 212 | 140 | 352 | M16 | 67 |
| FHF 32-125/11 | 32 | 50 | 80 | 320 | 360 | 744 | 540 | 800 | 130 | 60 | 212 | 140 | 352 | M16 | 69 |
| FHF 32-160/15 | 32 | 50 | 80 | 350 | 390 | 773 | 600 | 900 | 150 | 60 | 232 | 160 | 392 | M16 | 71 |
| FHF 32-160/22 | 32 | 50 | 80 | 350 | 390 | 773 | 600 | 900 | 150 | 60 | 232 | 160 | 392 | M16 | 73 |
| FHF 32-200/30 | 32 | 50 | 80 | 350 | 390 | 809 | 600 | 900 | 150 | 60 | 260 | 180 | 440 | M16 | 92 |
| FHF 32-200/40 | 32 | 50 | 80 | 350 | 390 | 832 | 600 | 900 | 150 | 60 | 260 | 180 | 440 | M16 | 96 |
| FHF 40-125/11 | 40 | 65 | 80 | 320 | 360 | 744 | 540 | 800 | 130 | 60 | 212 | 140 | 352 | M16 | 72 |
| FHF 40-125/15 | 40 | 65 | 80 | 350 | 390 | 773 | 600 | 900 | 150 | 60 | 212 | 140 | 352 | M16 | 74 |
| FHF 40-125/22 | 40 | 65 | 80 | 350 | 390 | 773 | 600 | 900 | 150 | 60 | 212 | 140 | 352 | M16 | 77 |
| FHF 40-160/30 | 40 | 65 | 80 | 350 | 390 | 809 | 600 | 900 | 150 | 60 | 232 | 160 | 392 | M16 | 91 |
| FHF 40-160/40 | 40 | 65 | 80 | 350 | 390 | 832 | 600 | 900 | 150 | 60 | 232 | 160 | 392 | M16 | 97 |
| FHF 40-200/55 | 40 | 65 | 100 | 400 | 450 | 909 | 660 | 1000 | 170 | 60 | 260 | 180 | 451 | M20 | 112 |
| FHF 40-200/75 | 40 | 65 | 100 | 400 | 450 | 909 | 660 | 1000 | 170 | 60 | 260 | 180 | 451 | M20 | 120 |
| FHF 40-250/110A | 40 | 65 | 100 | 490 | 540 | 1061 | 840 | 1250 | 205 | 75 | 280 | 225 | 512 | M20 | 178 |
| FHF 40-250/110 | 40 | 65 | 100 | 490 | 540 | 1061 | 840 | 1250 | 205 | 75 | 280 | 225 | 512 | M20 | 178 |
| FHF 40-250/150 | 40 | 65 | 100 | 490 | 540 | 1061 | 840 | 1250 | 205 | 75 | 280 | 225 | 512 | M20 | 188 |
| FHF 50-125/22 | 50 | 65 | 100 | 350 | 390 | 793 | 600 | 900 | 150 | 60 | 232 | 160 | 392 | M16 | 85 |
| FHF 50-125/30 | 50 | 65 | 100 | 350 | 390 | 829 | 600 | 900 | 150 | 60 | 232 | 160 | 392 | M16 | 92 |
| FHF 50-125/40 | 50 | 65 | 100 | 350 | 390 | 852 | 600 | 900 | 150 | 60 | 232 | 160 | 392 | M16 | 97 |
| FHF 50-160/55 | 50 | 65 | 100 | 400 | 450 | 909 | 660 | 1000 | 170 | 60 | 260 | 180 | 451 | M20 | 111 |
| FHF 50-160/75 | 50 | 65 | 100 | 400 | 450 | 909 | 660 | 1000 | 170 | 60 | 260 | 180 | 451 | M20 | 115 |
| FHF 50-200/110A | 50 | 65 | 100 | 440 | 490 | 1061 | 740 | 1120 | 190 | 60 | 260 | 200 | 492 | M20 | 173 |
| FHF 50-200/110 | 50 | 65 | 100 | 440 | 490 | 1061 | 740 | 1120 | 190 | 60 | 260 | 200 | 492 | M20 | 173 |
| FHF 50-250/150 | 50 | 65 | 100 | 490 | 540 | 1061 | 840 | 1250 | 205 | 75 | 280 | 225 | 512 | M20 | 179 |
| FHF 50-250/185 | 50 | 65 | 100 | 490 | 540 | 1105 | 840 | 1250 | 205 | 75 | 280 | 225 | 512 | M20 | 199 |
| FHF 50-250/220 | 50 | 65 | 100 | 490 | 540 | 1111 | 840 | 1250 | 205 | 75 | 280 | 225 | 510 | M20 | 219 |
| FHF 65-125/40 | 65 | 80 | 100 | 350 | 390 | 852 | 600 | 900 | 150 | 75 | 260 | 180 | 440 | M16 | 135 |
| FHF 65-125/55 | 65 | 80 | 100 | 400 | 450 | 909 | 660 | 1000 | 170 | 75 | 260 | 180 | 451 | M20 | 141 |
| FHF 65-125/75 | 65 | 80 | 100 | 400 | 450 | 909 | 660 | 1000 | 170 | 75 | 260 | 180 | 451 | M20 | 147 |
| FHF 65-160/110A | 65 | 80 | 100 | 490 | 540 | 1061 | 840 | 1250 | 205 | 75 | 260 | 200 | 492 | M20 | 164 |
| FHF 65-160/110 | 65 | 80 | 100 | 490 | 540 | 1061 | 840 | 1250 | 205 | 75 | 260 | 200 | 492 | M20 | 164 |
| FHF 65-160/150 | 65 | 80 | 100 | 490 | 540 | 1061 | 840 | 1250 | 205 | 75 | 260 | 200 | 492 | M20 | 180 |
| FHF 65-200/150 | 65 | 80 | 100 | 490 | 540 | 1061 | 840 | 1250 | 205 | 75 | 280 | 225 | 512 | M20 | 187 |
| FHF 65-200/185 | 65 | 80 | 100 | 490 | 540 | 1105 | 840 | 1250 | 205 | 75 | 280 | 225 | 512 | M20 | 197 |
| FHF 65-200/220 | 65 | 80 | 100 | 490 | 540 | 1111 | 840 | 1250 | 205 | 75 | 280 | 225 | 510 | M20 | 215 |
| FHF 65-250/220 | 65 | 80 | 100 | 490 | 540 | 1221 | 840 | 1250 | 205 | 90 | 310 | 250 | 550 | M20 | 223 |
| FHF 65-250/300 | 65 | 80 | 100 | 550 | 610 | 1296 | 940 | 1400 | 230 | 90 | 310 | 250 | 557 | M24 | 300 |
| FHF 65-250/370 | 65 | 80 | 100 | 550 | 610 | 1296 | 940 | 1400 | 230 | 90 | 310 | 250 | 557 | M24 | 315 |
| FHF 80-160/110 | 80 | 100 | 125 | 490 | 540 | 1086 | 840 | 1250 | 205 | 75 | 280 | 225 | 512 | M20 | 202 |
| FHF 80-160/150 | 80 | 100 | 125 | 490 | 540 | 1086 | 840 | 1250 | 205 | 75 | 280 | 225 | 512 | M20 | 212 |
| FHF 80-160/185 | 80 | 100 | 125 | 490 | 540 | 1130 | 840 | 1250 | 205 | 75 | 280 | 225 | 512 | M20 | 233 |
| FHF 80-200/220 | 80 | 100 | 125 | 490 | 540 | 1246 | 840 | 1250 | 205 | 75 | 280 | 250 | 530 | M20 | 245 |
| FHF 80-200/300 | 80 | 100 | 125 | 550 | 610 | 1321 | 940 | 1400 | 230 | 75 | 310 | 250 | 557 | M24 | 285 |
| FHF 80-250/370 | 80 | 100 | 125 | 550 | 610 | 1321 | 940 | 1400 | 230 | 90 | 310 | 280 | 580 | M24 | 305 |
| FHF 80-250/450 | 80 | 100 | 125 | 550 | 610 | 1398 | 940 | 1400 | 230 | 90 | 365 | 280 | 605 | M24 | 365 |
| FHF 80-250/550 | 80 | 100 | 125 | 600 | 660 | 1428 | 1060 | 1600 | 270 | 90 | 390 | 280 | 660 | M24 | 400 |

FH



DIMENSIONS AND WEIGHTS, FHF4 4 POLES SERIES



| PUMP TYPE | DIMENSIONS(mm) | | | | | | | | | | | | | s FOR SCREWS | WEIGHT kg |
|-----------------|----------------|-----|-----|-----|-----|------|-----|------|-----|----|-----|-----|--------|-----------------|--------------|
| | DNM | DNA | a | B1 | B2 | L1 | L2 | L3 | G | M | h1 | h2 | H max. | | |
| FHF4 32-125/02A | 32 | 50 | 80 | 320 | 360 | 702 | 540 | 800 | 130 | 60 | 212 | 140 | 352 | M16 | 74 |
| FHF4 32-125/02 | 32 | 50 | 80 | 320 | 360 | 702 | 540 | 800 | 130 | 60 | 212 | 140 | 352 | M16 | 74 |
| FHF4 32-160/02 | 32 | 50 | 80 | 320 | 360 | 702 | 540 | 800 | 130 | 60 | 232 | 160 | 392 | M16 | 76 |
| FHF4 32-160/03 | 32 | 50 | 80 | 320 | 360 | 702 | 540 | 800 | 130 | 60 | 232 | 160 | 392 | M16 | 78 |
| FHF4 32-200/03 | 32 | 50 | 80 | 320 | 360 | 702 | 540 | 800 | 130 | 60 | 260 | 180 | 440 | M16 | 80 |
| FHF4 32-200/05 | 32 | 50 | 80 | 320 | 360 | 744 | 540 | 800 | 130 | 60 | 260 | 180 | 440 | M16 | 82 |
| FHF4 40-125/02A | 40 | 65 | 80 | 320 | 360 | 702 | 540 | 800 | 130 | 60 | 212 | 140 | 352 | M16 | 61 |
| FHF4 40-125/02 | 40 | 65 | 80 | 320 | 360 | 702 | 540 | 800 | 130 | 60 | 212 | 140 | 352 | M16 | 61 |
| FHF4 40-125/03 | 40 | 65 | 80 | 320 | 360 | 702 | 540 | 800 | 130 | 60 | 212 | 140 | 352 | M16 | 64 |
| FHF4 40-160/03 | 40 | 65 | 80 | 320 | 360 | 702 | 540 | 800 | 130 | 60 | 232 | 160 | 392 | M16 | 65 |
| FHF4 40-160/05 | 40 | 65 | 80 | 320 | 360 | 744 | 540 | 800 | 130 | 60 | 232 | 160 | 392 | M16 | 66 |
| FHF4 40-200/07 | 40 | 65 | 100 | 350 | 390 | 764 | 600 | 900 | 150 | 60 | 260 | 180 | 440 | M16 | 73 |
| FHF4 40-200/11 | 40 | 65 | 100 | 350 | 390 | 793 | 600 | 900 | 150 | 60 | 260 | 180 | 440 | M16 | 76 |
| FHF4 40-250/11 | 40 | 65 | 100 | 400 | 450 | 793 | 660 | 1000 | 170 | 75 | 280 | 225 | 505 | M20 | 103 |
| FHF4 40-250/15 | 40 | 65 | 100 | 400 | 450 | 793 | 660 | 1000 | 170 | 75 | 280 | 225 | 505 | M20 | 106 |
| FHF4 40-250/22 | 40 | 65 | 100 | 400 | 450 | 829 | 660 | 1000 | 170 | 75 | 280 | 225 | 505 | M20 | 119 |
| FHF4 50-125/03A | 50 | 65 | 100 | 320 | 360 | 722 | 540 | 800 | 130 | 60 | 232 | 160 | 392 | M16 | 64 |
| FHF4 50-125/03 | 50 | 65 | 100 | 320 | 360 | 722 | 540 | 800 | 130 | 60 | 232 | 160 | 392 | M16 | 64 |
| FHF4 50-125/05 | 50 | 65 | 100 | 320 | 360 | 764 | 540 | 800 | 130 | 60 | 232 | 160 | 392 | M16 | 66 |
| FHF4 50-160/07 | 50 | 65 | 100 | 350 | 390 | 764 | 600 | 900 | 150 | 60 | 260 | 180 | 440 | M16 | 73 |
| FHF4 50-160/11 | 50 | 65 | 100 | 350 | 390 | 793 | 600 | 900 | 150 | 60 | 260 | 180 | 440 | M16 | 76 |
| FHF4 50-200/11 | 50 | 65 | 100 | 350 | 390 | 793 | 600 | 900 | 150 | 60 | 260 | 200 | 460 | M16 | 87 |
| FHF4 50-200/15 | 50 | 65 | 100 | 350 | 390 | 793 | 600 | 900 | 150 | 60 | 260 | 200 | 460 | M16 | 90 |
| FHF4 50/250/22A | 50 | 65 | 100 | 400 | 450 | 829 | 660 | 1000 | 170 | 75 | 280 | 225 | 505 | M20 | 121 |
| FHF4 50-250/22 | 50 | 65 | 100 | 400 | 450 | 829 | 660 | 1000 | 170 | 75 | 280 | 225 | 505 | M20 | 121 |
| FHF4 50-250/30 | 50 | 65 | 100 | 400 | 450 | 829 | 660 | 1000 | 170 | 75 | 280 | 225 | 505 | M20 | 125 |
| FHF4 65-125/05 | 65 | 80 | 100 | 350 | 390 | 764 | 600 | 900 | 150 | 75 | 260 | 180 | 440 | M16 | 90 |
| FHF4 65-125/07 | 65 | 80 | 100 | 350 | 390 | 764 | 600 | 900 | 150 | 75 | 260 | 180 | 440 | M16 | 91 |
| FHF4 65-125/11 | 65 | 80 | 100 | 350 | 390 | 793 | 600 | 900 | 150 | 75 | 260 | 180 | 440 | M16 | 95 |
| FHF4 65-160/11 | 65 | 80 | 100 | 400 | 450 | 793 | 660 | 1000 | 170 | 75 | 260 | 200 | 460 | M20 | 100 |
| FHF4 65-160/15 | 65 | 80 | 100 | 400 | 450 | 793 | 660 | 1000 | 170 | 75 | 260 | 200 | 460 | M20 | 110 |
| FHF4 65-160/22 | 65 | 80 | 100 | 400 | 450 | 829 | 660 | 1000 | 170 | 75 | 260 | 200 | 460 | M20 | 119 |
| FHF4 65-200/15 | 65 | 80 | 100 | 400 | 450 | 793 | 660 | 1000 | 170 | 75 | 280 | 225 | 505 | M20 | 112 |
| FHF4 65-200/22 | 65 | 80 | 100 | 440 | 490 | 829 | 740 | 1120 | 190 | 75 | 280 | 225 | 505 | M20 | 123 |
| FHF4 65-200/30 | 65 | 80 | 100 | 440 | 490 | 829 | 740 | 1120 | 190 | 75 | 280 | 225 | 505 | M20 | 126 |
| FHF4 65-250/30 | 65 | 80 | 100 | 440 | 490 | 939 | 740 | 1120 | 190 | 90 | 310 | 250 | 550 | M20 | 150 |
| FHF4 65-250/40 | 65 | 80 | 100 | 440 | 490 | 962 | 740 | 1120 | 190 | 90 | 310 | 250 | 550 | M20 | 162 |
| FHF4 65-250/55 | 65 | 80 | 100 | 440 | 490 | 1019 | 740 | 1120 | 190 | 90 | 310 | 250 | 550 | M20 | 180 |
| FHF4 80-160/15 | 80 | 100 | 125 | 400 | 450 | 818 | 660 | 1000 | 170 | 75 | 280 | 228 | 505 | M20 | 130 |
| FHF4 80-160/22 | 80 | 100 | 125 | 440 | 490 | 854 | 740 | 1120 | 190 | 75 | 280 | 228 | 505 | M20 | 136 |
| FHF4 80-200/30 | 80 | 100 | 125 | 440 | 490 | 964 | 740 | 1120 | 190 | 75 | 280 | 250 | 530 | M20 | 155 |
| FHF4 80-200/40 | 80 | 100 | 125 | 440 | 490 | 987 | 740 | 1120 | 190 | 75 | 280 | 250 | 530 | M20 | 159 |
| FHF4 80-250/40 | 80 | 100 | 125 | 490 | 540 | 987 | 840 | 1250 | 205 | 90 | 310 | 280 | 580 | M20 | 165 |
| FHF4 80-250/55 | 80 | 100 | 125 | 490 | 540 | 1044 | 840 | 1250 | 205 | 90 | 310 | 280 | 580 | M20 | 180 |
| FHF4 80-250/75 | 80 | 100 | 125 | 490 | 540 | 1082 | 840 | 1250 | 205 | 90 | 310 | 280 | 580 | M20 | 193 |

