

Model: D3DA-750

Data

Type: Semi-hermetic piston compressors

Producer: Copeland

Series: DISCUS

Model: D3DA-750

Technical data

Cylinder count:	3
Displacement [m ³ /h]:	32,2
Weight [kg]:	163
Oil charge [dm ³]:	3,4
Max. operating current [A]:	18
Locked rotor current [A]:	106
Power supply [V/~/Hz]:	380-420V/3/50Hz

Connections

	<u>milimeters</u>	<u>inches</u>
Suction line:		1 3/8"
Discharge line:		1 1/8"

Model: D3DA-750

Capacity

R22

Cooling capacity [kW]

$t_c \setminus t_e$	-25	-20	-15	-10	-5	0	5	10
30	9.29	12.27	15.73	19.72	24.31	29.57	35.57	42.37
35	8.39	11.28	14.60	18.42	22.82	27.85	33.59	40.11
40	7.53	10.31	13.49	17.14	21.34	26.14	31.62	37.84
45	-	9.37	12.41	15.89	19.88	24.44	29.66	35.58
50	-	8.49	11.38	14.68	18.45	22.78	27.72	33.34
55	-	-	10.40	13.52	17.08	21.16	25.82	31.13
60	-	-	9.50	12.42	15.76	19.58	23.96	28.96

Power input [kW]

$t_c \setminus t_e$	-25	-20	-15	-10	-5	0	5	10
30	4.20	4.59	4.93	5.18	5.33	5.36	5.25	4.98
35	4.33	4.79	5.20	5.55	5.80	5.95	5.96	5.83
40	4.44	4.97	5.46	5.89	6.24	6.50	6.64	6.65
45	-	5.13	5.70	6.21	6.66	7.03	7.29	7.42
50	-	5.29	5.92	6.52	7.06	7.53	7.90	8.17
55	-	-	6.15	6.82	7.45	8.01	8.50	8.89
60	-	-	6.37	7.11	7.82	8.49	9.08	9.59

Model: D3DA-750

Capacity

Current [A]

t_c \ t_e	-25	-20	-15	-10	-5	0	5	10
30	9.32	9.87	10.34	10.70	10.92	10.97	10.81	10.41
35	9.49	10.14	10.73	11.23	11.60	11.82	11.84	11.65
40	9.65	10.40	11.10	11.73	12.25	12.63	12.84	12.85
45	-	10.64	11.45	12.21	12.87	13.41	13.80	14.01
50	-	10.87	11.78	12.66	13.47	14.17	14.73	15.13
55	-	-	12.11	13.11	14.05	14.90	15.64	16.23
60	-	-	12.43	13.54	14.62	15.62	16.53	17.30

Mass flow [kg/s]

t_c \ t_e	-25	-20	-15	-10	-5	0	5	10
30	201.87	263.68	333.61	412.85	502.59	604.02	718.33	846.73
35	189.99	251.83	321.60	400.49	489.70	590.42	703.85	831.17
40	178.14	239.88	309.37	387.80	476.37	576.27	688.69	814.82
45	-	228.16	297.25	375.11	462.92	561.87	673.17	797.99
50	-	216.99	285.58	362.74	449.67	547.57	657.62	781.02
55	-	-	274.66	351.02	436.95	533.67	642.37	764.23
60	-	-	264.84	340.27	425.09	520.52	627.73	747.93

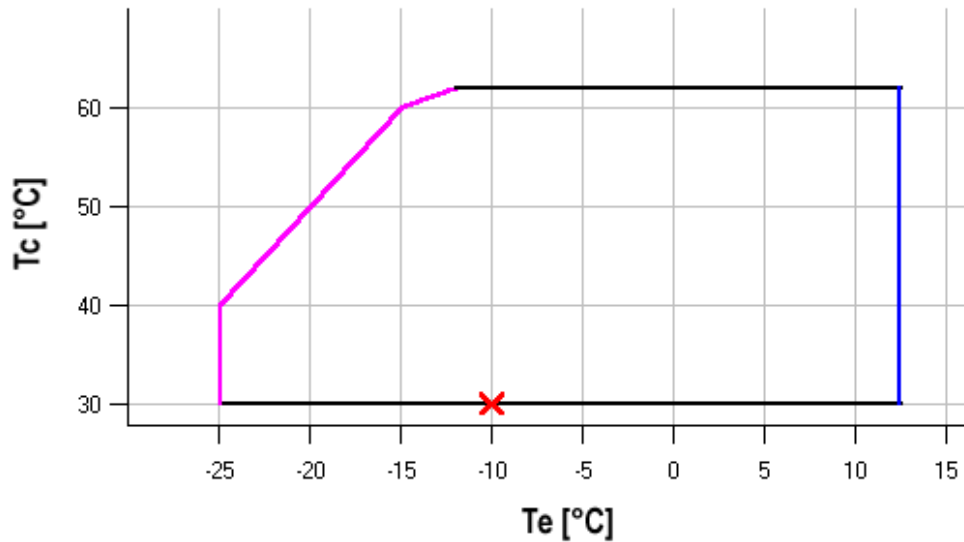
Model: D3DA-750

Capacity

C.O.P. [W/W]

$t_c \setminus t_e$	-25	-20	-15	-10	-5	0	5	10
30	2.21	2.67	3.19	3.81	4.56	5.52	6.77	8.51
35	1.94	2.35	2.81	3.32	3.93	4.68	5.63	6.88
40	1.70	2.07	2.47	2.91	3.42	4.02	4.76	5.69
45	-	1.83	2.18	2.56	2.98	3.48	4.07	4.79
50	-	1.60	1.92	2.25	2.61	3.03	3.51	4.08
55	-	-	1.69	1.98	2.29	2.64	3.04	3.50
60	-	-	1.49	1.75	2.01	2.31	2.64	3.02

Application range

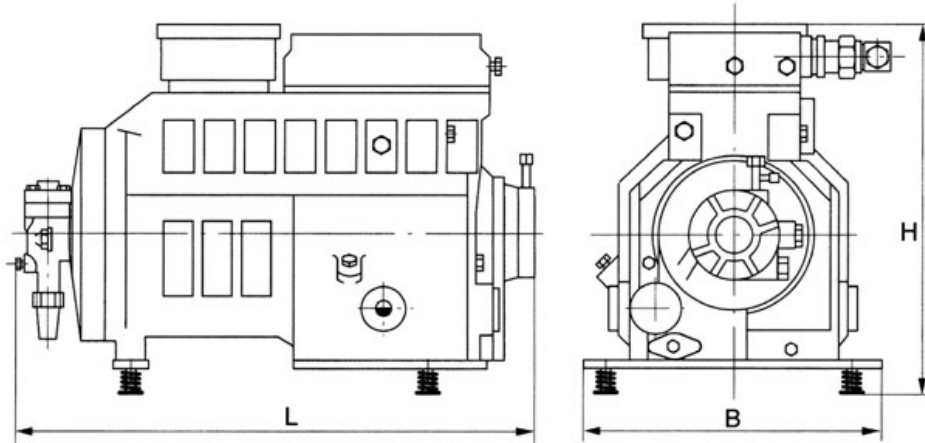


- Maximum evaporating temperature
- 25°C suction gas return

Operating conditions: ISO; subcooling: 0 K, suction superheat: 10 K, return gas temperature: -
 t_c - Condensing temperature [°C]
 t_e - Evaporating temperature [°C]

Model: D3DA-750

Dimensions



L	680 mm
B	370 mm
H	480 mm

Model: D3DA-750

Image

