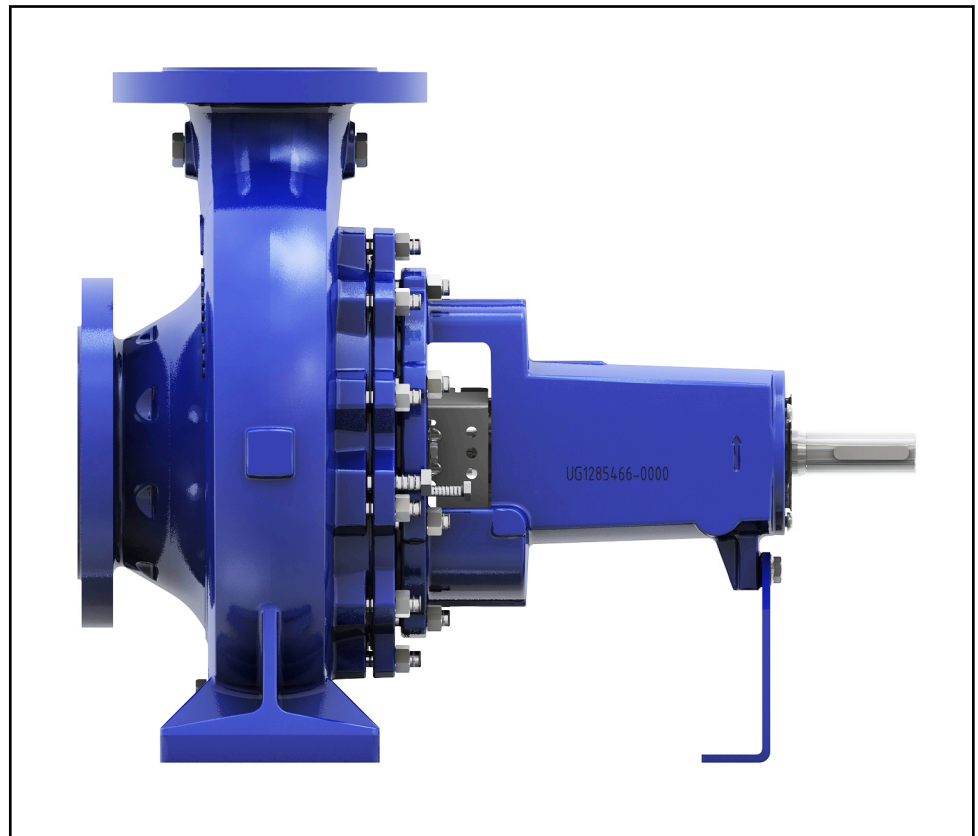


Standardised Water Pump

Etanorm

Installation/Operating Manual



4.4 Name plate

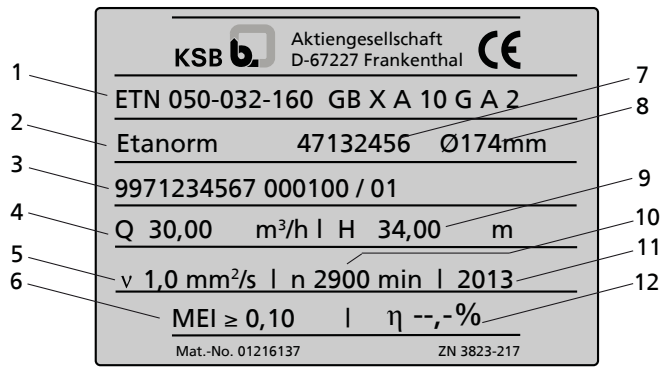


Fig. 5: Name plate (example) Etanorm

1	Type series code, size and version (⇒ Section 4.3 Page 16)	2	Type series
3	KSB order, order item and consecutive number	4	Flow rate
5	Kinematic viscosity of the fluid handled	6	Minimum efficiency index
7	Material number (if applicable)	8	Impeller diameter
9	Head	10	Speed
11	Year of construction	12	Efficiency (see data sheet)

4.5 Design details

Design

- Volute casing pump
- Horizontal installation
- Back pull-out design
- Single-stage
- Dimensions and ratings to EN 733
- Complies with the 2009/125/EC Directive

Pump casing

- Radially split volute casing
- Volute casing with integrally cast pump feet²⁾
- Replaceable casing wear rings

Impeller type

- Closed radial impeller with multiply curved vanes

Bearings

- Standard bearings
 - Floating bearings: deep groove ball bearings
- Reinforced bearings
 - Floating bearings: deep groove ball bearings
- Bearings with bearing pedestal
 - Floating bearings: deep groove ball bearings

²⁾ Depending on the size, pumps with bearing pedestal have integrally cast pump feet.

4.6 Configuration and function

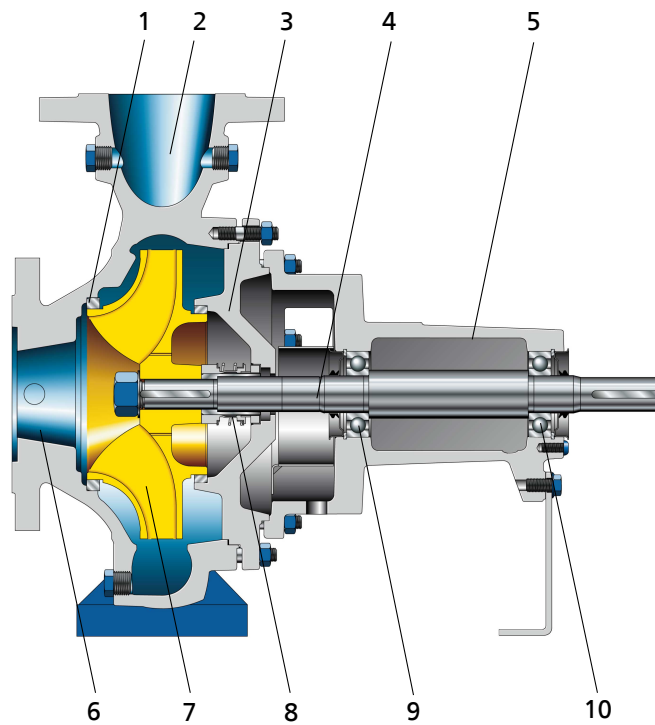


Fig. 6: Sectional drawing

1	Clearance gap	2	Discharge nozzle
3	Casing cover	4	Shaft
5	Bearing bracket	6	Suction nozzle
7	Impeller	8	Shaft seal
9	Rolling element bearing, pump end	10	Rolling element bearing, motor end

Design The pump is designed with an axial fluid inlet and a radial outlet. The hydraulic system runs in its own bearings and is connected to the motor by a shaft coupling.

Function The fluid enters the pump axially via the suction nozzle (6) and is accelerated outward by the rotating impeller (7). In the flow passage of the pump casing the kinetic energy of the fluid is converted into pressure energy. The fluid is pumped to the discharge nozzle (2), where it leaves the pump. The clearance gap (1) prevents any fluid from flowing back from the casing to the suction nozzle. At the rear side of the impeller, the shaft (4) enters the casing via the casing cover (3). The shaft passage through the cover is sealed towards the atmosphere with a shaft seal (8). The shaft runs in rolling element bearings (9 and 10), which are supported by a bearing bracket (5) linked with the pump casing and/or casing cover.

Sealing The pump is sealed by a shaft seal (standardised mechanical seal or gland packing).

5.4.2 Permissible forces and moments at the pump nozzles

The data on forces and moments apply to static pipelines only. The values are only applicable if the pump is installed on a baseplate and bolted to a rigid and level foundation.

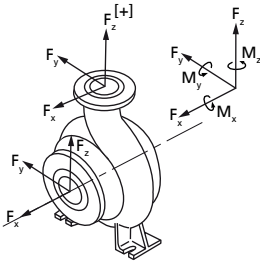


Fig. 10: Forces and moments at the pump nozzles

Table 9: Forces and moments at the pump nozzles for casing material G (JL1040/ A48CL35B)

Size	Suction nozzle							Discharge nozzle								
	DN	Fx	Fy	Fz	ΣF	Mx	My	Mz	DN	Fx	Fy	Fz	ΣF	Mx	My	Mz
		[N]	[N]	[N]	[N]	[Nm]	[Nm]	[Nm]		[N]	[N]	[N]	[N]	[Nm]	[Nm]	[Nm]
040-025-160	40	450	400	350	696	450	320	370	25	265	250	300	472	315	210	245
040-025-200	40	450	400	350	696	450	320	370	25	265	250	300	472	315	210	245
050-032-125.1	50	580	530	470	916	500	350	400	32	320	300	370	574	390	265	300
050-032-160.1	50	580	530	470	916	500	350	400	32	320	300	370	574	390	265	300
050-032-200.1	50	580	530	470	916	500	350	400	32	320	300	370	574	390	265	300
050-032-250.1	50	580	530	470	916	500	350	400	32	320	300	370	574	390	265	300
050-032-125	50	580	530	470	916	500	350	400	32	320	300	370	574	390	265	300
050-032-160	50	580	530	470	916	500	350	400	32	320	300	370	574	390	265	300
050-032-200	50	580	530	470	916	500	350	400	32	320	300	370	574	390	265	300
050-032-250	50	580	530	470	916	500	350	400	32	320	300	370	574	390	265	300
065-040-125	65	740	650	600	1153	530	390	420	40	400	350	450	696	450	320	370
065-040-160	65	740	650	600	1153	530	390	420	40	400	350	450	696	450	320	370
065-040-200	65	740	650	600	1153	530	390	420	40	400	350	450	696	450	320	370
065-040-250	65	740	650	600	1153	530	390	420	40	400	350	450	696	450	320	370
065-040-315	65	740	650	600	1153	530	390	420	40	400	350	450	696	450	320	370
065-050-125	65	740	650	600	1153	530	390	420	50	530	470	580	916	500	350	400
065-050-160	65	740	650	600	1153	530	390	420	50	530	470	580	916	500	350	400
065-050-200	65	740	650	600	1153	530	390	420	50	530	470	580	916	500	350	400
065-050-250	65	740	650	600	1153	530	390	420	50	530	470	580	916	500	350	400
065-050-315	65	740	650	600	1153	530	390	420	50	530	470	580	916	500	350	400
080-065-125	80	880	790	720	1385	560	400	460	65	650	600	740	1153	530	390	420
080-065-160	80	880	790	720	1385	560	400	460	65	650	600	740	1153	530	390	420
080-065-200	80	880	790	720	1385	560	400	460	65	650	600	740	1153	530	390	420
080-065-250	80	880	790	720	1385	560	400	460	65	650	600	740	1153	530	390	420
080-065-315	80	880	790	720	1385	560	400	460	65	650	600	740	1153	530	390	420
100-080-160	100	1180	1050	950	1843	620	440	510	80	790	720	880	1385	560	400	460
100-080-200	100	1180	1050	950	1843	620	440	510	80	790	720	880	1385	560	400	460
100-080-250	100	1180	1050	950	1843	620	440	510	80	790	720	880	1385	560	400	460
100-080-315	100	1180	1050	950	1843	620	440	510	80	790	720	880	1385	560	400	460
100-080-400	100	1180	1050	950	1843	620	440	510	80	790	720	880	1385	560	400	460
125-100-160	125	1400	1250	1120	2186	740	530	670	100	1050	950	1180	1843	620	440	510
125-100-200	125	1400	1250	1120	2186	740	530	670	100	1050	950	1180	1843	620	440	510
125-100-250	125	1400	1250	1120	2186	740	530	670	100	1050	950	1180	1843	620	440	510
125-100-315	125	1400	1250	1120	2186	740	530	670	100	1050	950	1180	1843	620	440	510
125-100-400	125	1400	1250	1120	2186	740	530	670	100	1050	950	1180	1843	620	440	510
150-125-200	150	1750	1600	1400	2754	880	610	720	125	1250	1120	1400	2186	740	530	670
150-125-250	150	1750	1600	1400	2754	880	610	720	125	1250	1120	1400	2186	740	530	670
150-125-315	150	1750	1600	1400	2754	880	610	720	125	1250	1120	1400	2186	740	530	670
150-125-400	150	1750	1600	1400	2754	880	610	720	125	1250	1120	1400	2186	740	530	670
200-150-200	200	2350	2100	1900	3680	1150	800	930	150	1600	1400	1750	2754	880	610	720
200-150-250	200	2350	2100	1900	3680	1150	800	930	150	1600	1400	1750	2754	880	610	720
200-150-315	200	2350	2100	1900	3680	1150	800	930	150	1600	1400	1750	2754	880	610	720
200-150-400	200	2350	2100	1900	3680	1150	800	930	150	1600	1400	1750	2754	880	610	720

Correction coefficients depending on material and temperature (see diagram below).

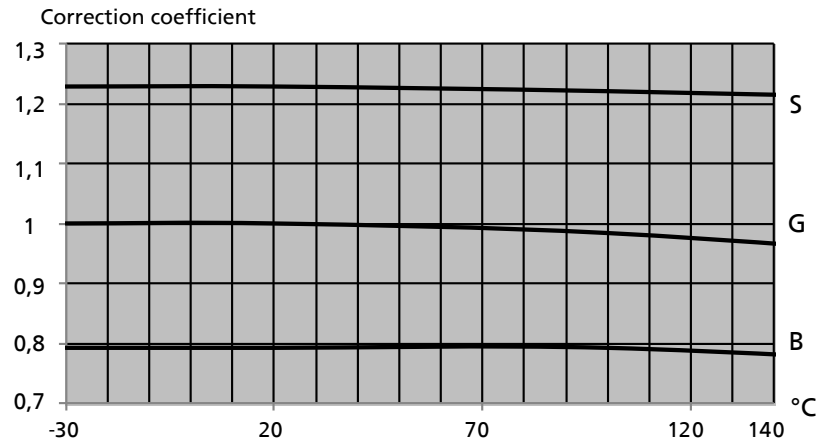


Fig. 11: Temperature/material correction diagram for casing materials G (JL1040/A48CL35B), S (JS1030/A536 GR 60-40-18) and B (CC480K-GS/B30 C90700)

Table 10: Forces and moments at the pump nozzles for casing material C (1.4408/ A743 GR CF8M)

Size	Suction nozzle								Discharge nozzle							
	DN	Fx	Fy	Fz	ΣF	Mx	My	Mz	DN	Fx	Fy	Fz	ΣF	Mx	My	Mz
		[N]	[N]	[N]	[N]	[Nm]	[Nm]	[Nm]		[N]	[N]	[N]	[N]	[Nm]	[Nm]	[Nm]
040-25-160	40	970	780	650	1404	500	280	410	25	460	410	600	860	370	185	280
040-25-200	40	970	780	650	1404	500	280	410	25	460	410	600	860	370	185	280
050-32-125.1	50	1240	1010	830	1802	650	320	500	32	650	500	780	1132	415	230	320
050-32-160.1	50	1240	1010	830	1802	650	320	500	32	650	500	780	1132	415	230	320
050-32-200.1	50	1240	1010	830	1802	650	320	500	32	650	500	780	1132	415	230	320
050-32-250.1	50	1240	1010	830	1802	650	320	500	32	650	500	780	1132	415	230	320
050-32-125	50	1240	1010	830	1802	650	320	500	32	650	500	780	1132	415	230	320
050-32-160	50	1240	1010	830	1802	650	320	500	32	650	500	780	1132	415	230	320
050-32-200	50	1240	1010	830	1802	650	320	500	32	650	500	780	1132	415	230	320
050-32-250	50	1240	1010	830	1802	650	320	500	32	650	500	780	1132	415	230	320
065-40-125	65	1600	1300	1050	2314	1050	550	780	40	780	640	1000	1421	500	280	415
065-40-160	65	1600	1300	1050	2314	1050	550	780	40	780	640	1000	1421	500	280	415
065-40-200	65	1600	1300	1050	2314	1050	550	780	40	780	640	1000	1421	500	280	415
065-40-250	65	1600	1300	1050	2314	1050	550	780	40	780	640	1000	1421	500	280	415
065-40-315	65	1600	1300	1050	2314	1050	550	780	40	780	640	1000	1421	500	280	415
065-50-125	65	1600	1300	1050	2314	1050	550	780	50	1000	830	1250	1803	650	320	500
065-50-160	65	1600	1300	1050	2314	1050	550	780	50	1000	830	1250	1803	650	320	500
065-50-200	65	1600	1300	1050	2314	1050	550	780	50	1000	830	1250	1803	650	320	500
065-50-250	65	1600	1300	1050	2314	1050	550	780	50	1000	830	1250	1803	650	320	500
065-50-315	65	1600	1300	1050	2314	1050	550	780	50	1000	830	1250	1803	650	320	500
080-65-125	80	2000	1550	1300	2845	1330	690	1010	65	1300	1050	1600	2314	1050	550	790
080-65-160	80	2000	1550	1300	2845	1330	690	1010	65	1300	1050	1600	2314	1050	550	790
080-65-200	80	2000	1550	1300	2845	1330	690	1010	65	1300	1050	1600	2314	1050	550	790
080-65-250	80	2000	1550	1300	2845	1330	690	1010	65	1300	1050	1600	2314	1050	550	790
080-65-315	80	2000	1550	1300	2845	1330	690	1010	65	1300	1050	1600	2314	1050	550	790
100-80-160	100	2500	1950	1600	3551	1850	900	1400	80	1550	1300	1950	2810	1350	690	1000
100-80-200	100	2500	1950	1600	3551	1850	900	1400	80	1550	1300	1950	2810	1350	690	1000
100-80-250	100	2500	1950	1600	3551	1850	900	1400	80	1550	1300	1950	2810	1350	690	1000
100-80-315	100	2500	1950	1600	3551	1850	900	1400	80	1550	1300	1950	2810	1350	690	1000
100-80-400	100	2500	1950	1600	3551	1850	900	1400	80	1550	1300	1950	2810	1350	690	1000
125-100-160	125	3400	2700	2200	4867	2500	1300	1950	100	2000	1600	2500	3579	1850	900	1400
125-100-200	125	3400	2700	2200	4867	2500	1300	1950	100	2000	1600	2500	3579	1850	900	1400
125-100-250	125	3400	2700	2200	4867	2500	1300	1950	100	2000	1600	2500	3579	1850	900	1400
125-100-315	125	3400	2700	2200	4867	2500	1300	1950	100	2000	1600	2500	3579	1850	900	1400
125-100-400	125	3400	2700	2200	4867	2500	1300	1950	100	2000	1600	2500	3579	1850	900	1400
150-125-200	150	4300	3450	2850	6206	3200	1600	2450	125	2700	2200	3400	4867	2550	1300	1900
150-125-250	150	4300	3450	2850	6206	3200	1600	2450	125	2700	2200	3400	4867	2550	1300	1900



KSB Aktiengesellschaft

67225 Frankenthal • Johann-Klein-Str. 9 • 67227 Frankenthal (Deutschland)
Tel. +49 6233 86-0 • Fax +49 6233 86-3401
www.ksb.de

KSB Pumps Limited

Plot no. E3 & E4, MIDC, Sinnar, (Malegaon) • Nashik 422 113
Tel. +91 2551 230252
Tel. +91 2551 230253
Tel. +91 2551 229700
Fax +91 2551 230254
www.ksbindia.co.in

KSB Shanghai Pump Co. Ltd

No. 1400 Jiangchuang Road, Minhang 200240 • Shanghai CHINA PR
Tel. +86 (21) 6430 2888, ext. 1003
Fax +86 (21) 6430 1504, ext. 10

KSB Pumps and Valves (Pty.) Ltd

Cor. North Reef & Activia Roads, Activia Park: 1401 Germiston (Johannesburg)
Republic of South Africa
Tel. +27 (11) 876 5600
Fax +27 (11) 822 2013
E-Mail: sales@ksbpumps.co.za